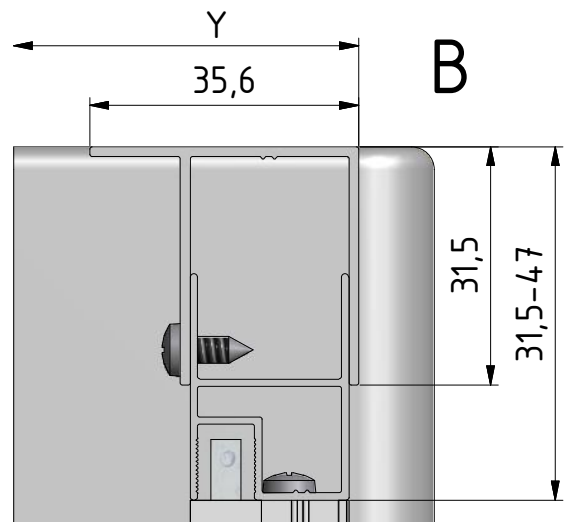
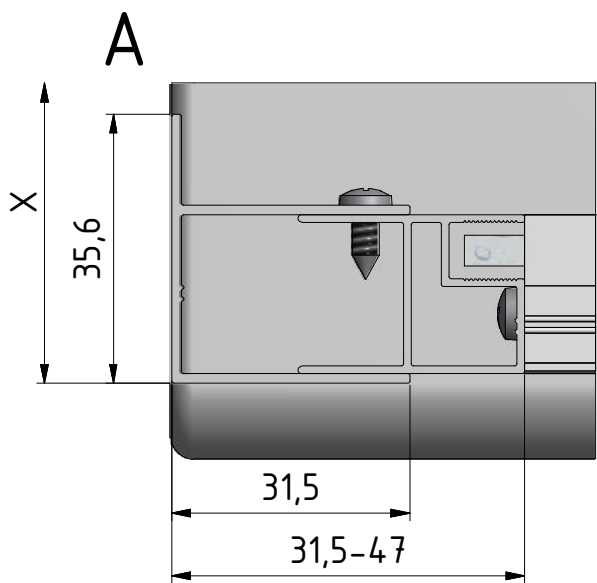
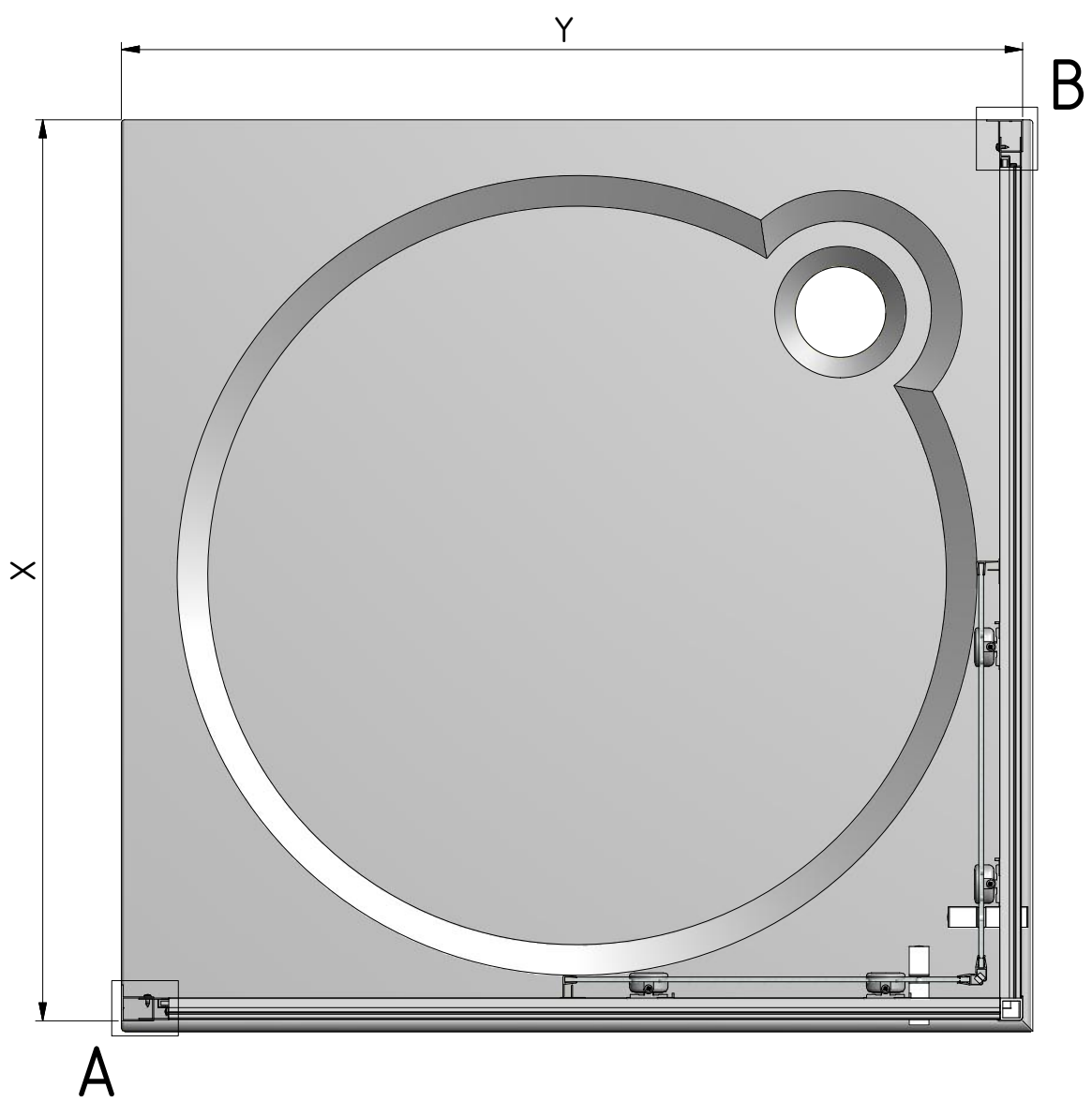


LLS2





	X	Y
1000x800 (800x1000)	975-990 (775-790)	775-790 (975-990)
1200x800 (800x1200)	1175-1190 (775-790)	775-790 (1175-1190)
1200x900 (900x1200)	1175-1190 (875-890)	875-890 (1175-1190)

7A. 1x
V128



7B. 1x
V128



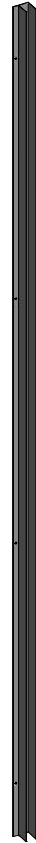
2A. 1x
V129



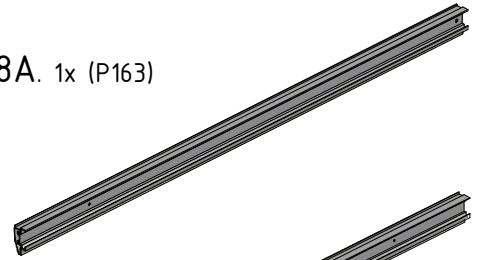
2B. 1x
V129



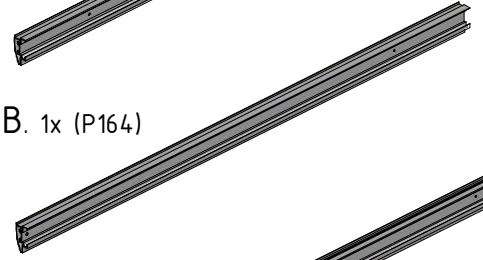
3. 2x (P3081)



8A. 1x (P163)



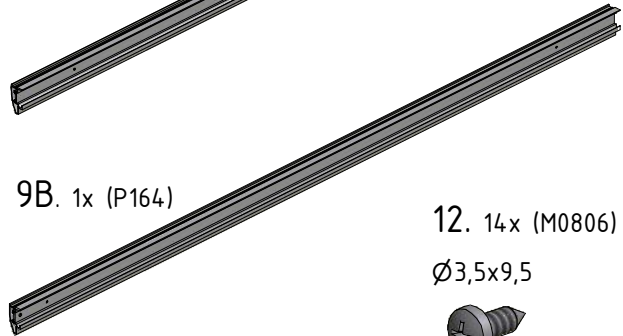
8B. 1x (P164)



9A. 1x (P163)



9B. 1x (P164)



12. 14x (M0806)
Ø3,5x9,5



16. 4x (M4928)

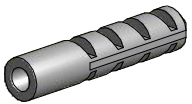
Ø3,5x6,5



23. 4x
M0787
Ø3,5x13



4. 6x (M0511)



5. 6x (M0795)

Ø3,5x38



6. 16x (MA0511)

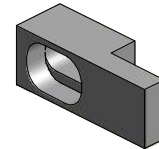


10. 8x (M0790)

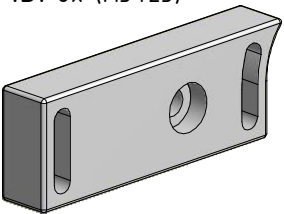
Ø3,5x19



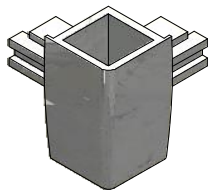
11. 4x (M9889)



13. 8x (M5425)



14. 2x (MA1860)

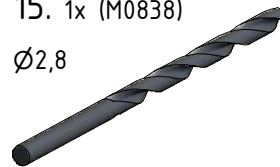


16. 8x (MA3119)

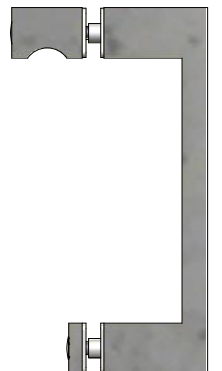


15. 1x (M0838)

Ø2,8



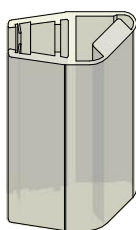
22. 2x (MA2331)



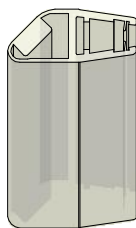
17. P3200 2x
P3201 2x



18. 1x (MA2020)



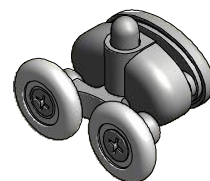
19. 1x (MA2021)

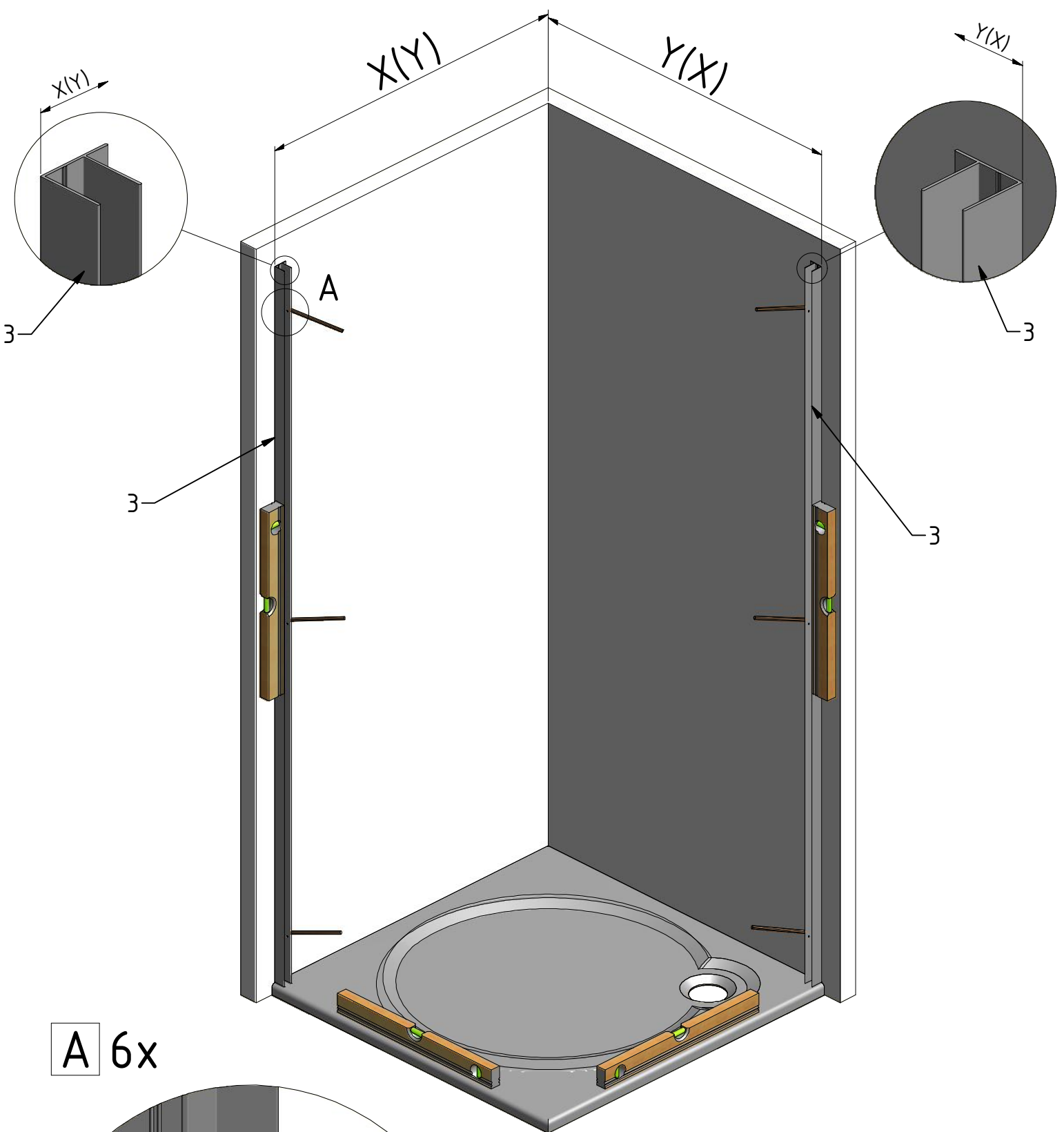


20. 4x (M9886)

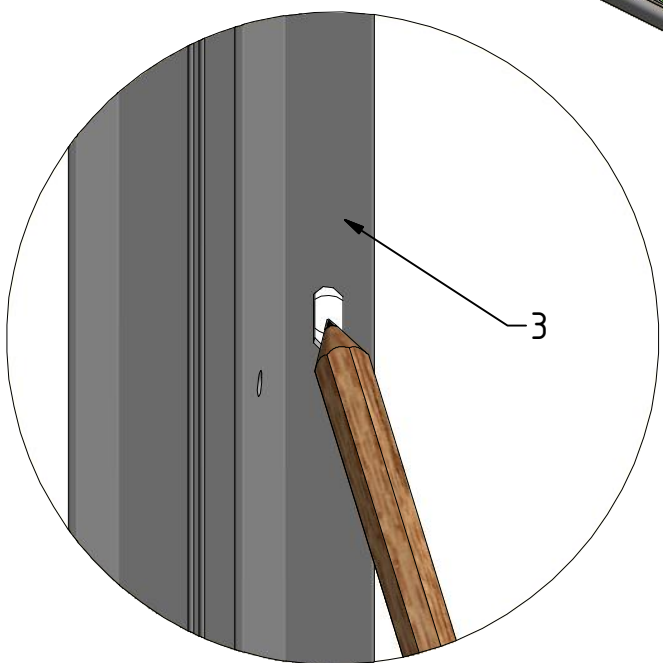


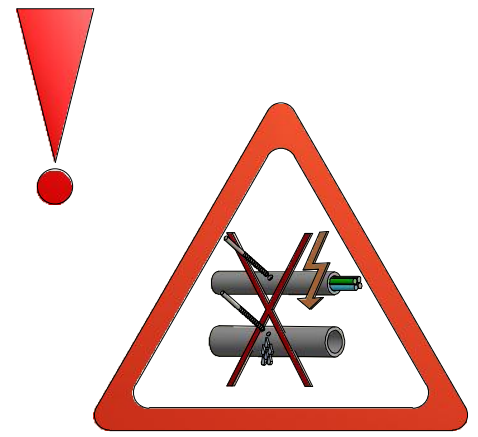
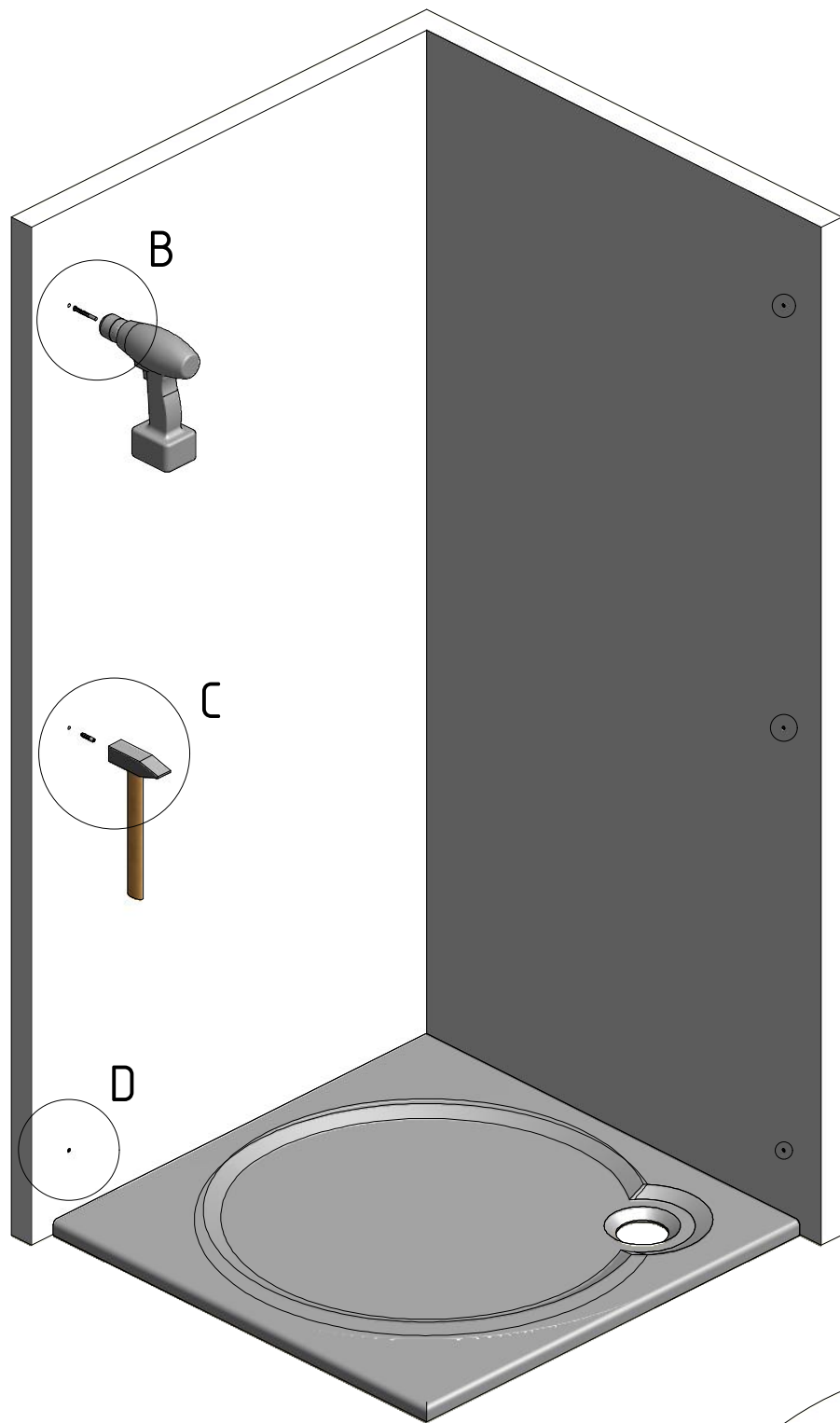
21. 4x (MA1870)



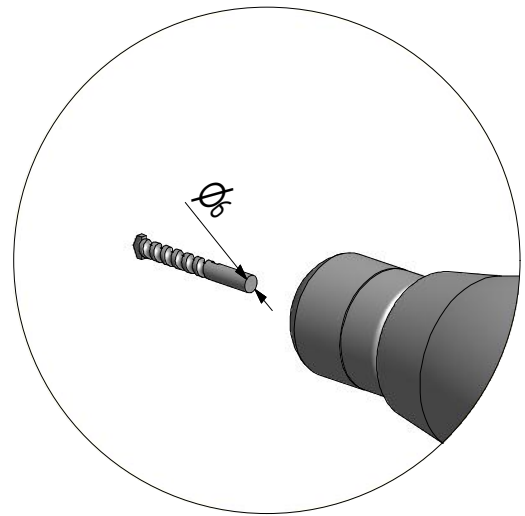


A 6x

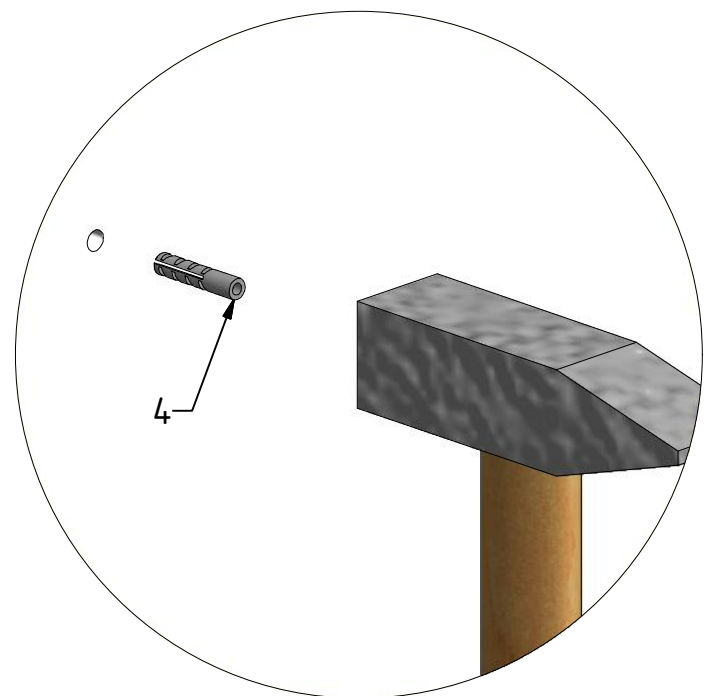




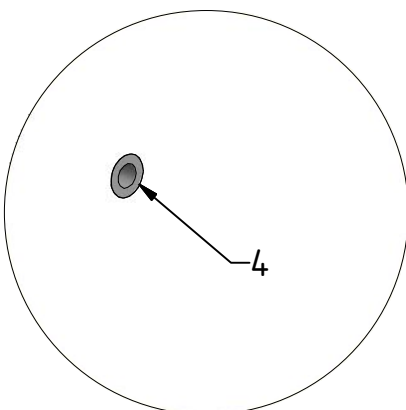
B 6x



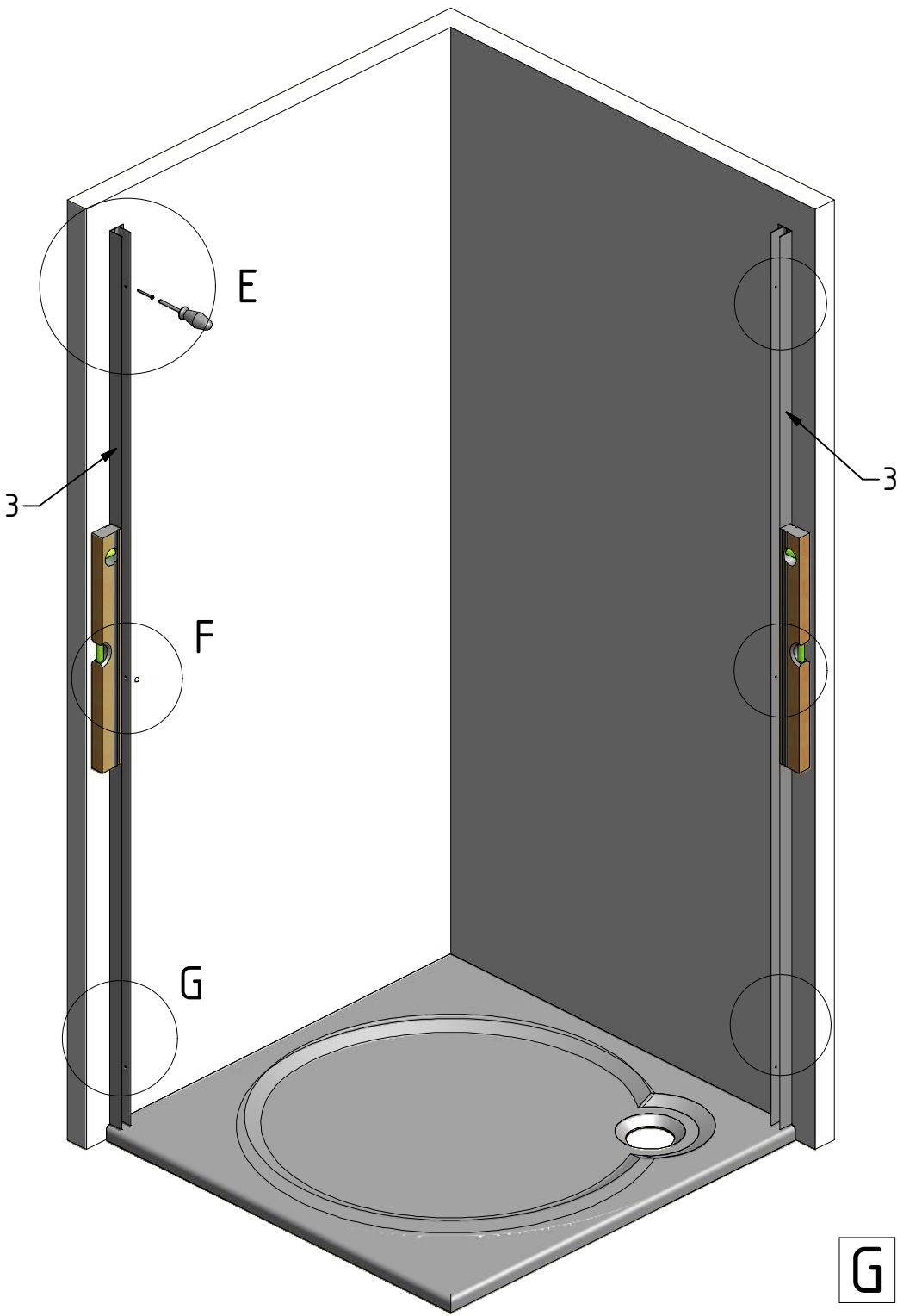
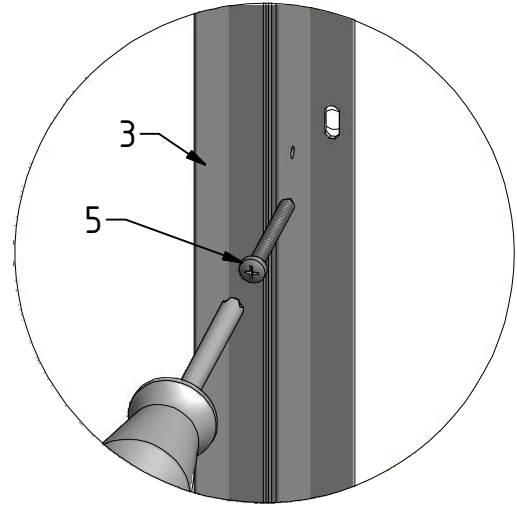
C 6x



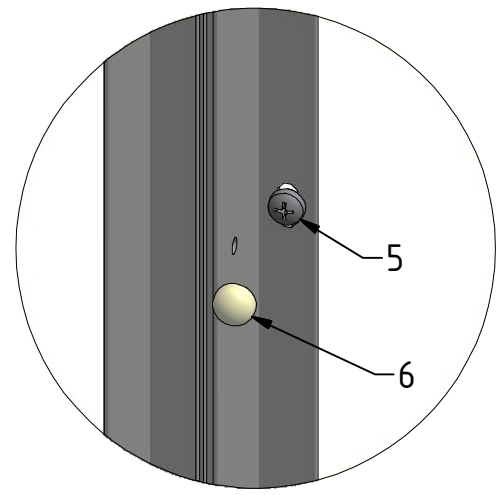
D 6x



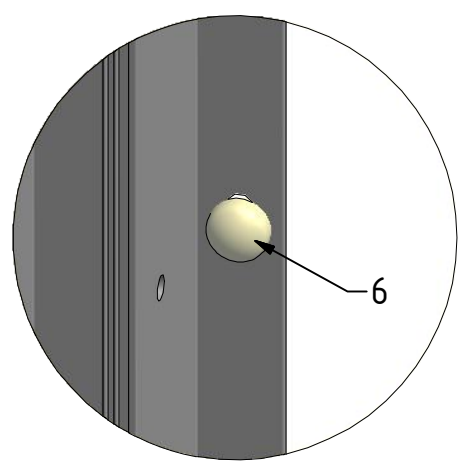
E 6x

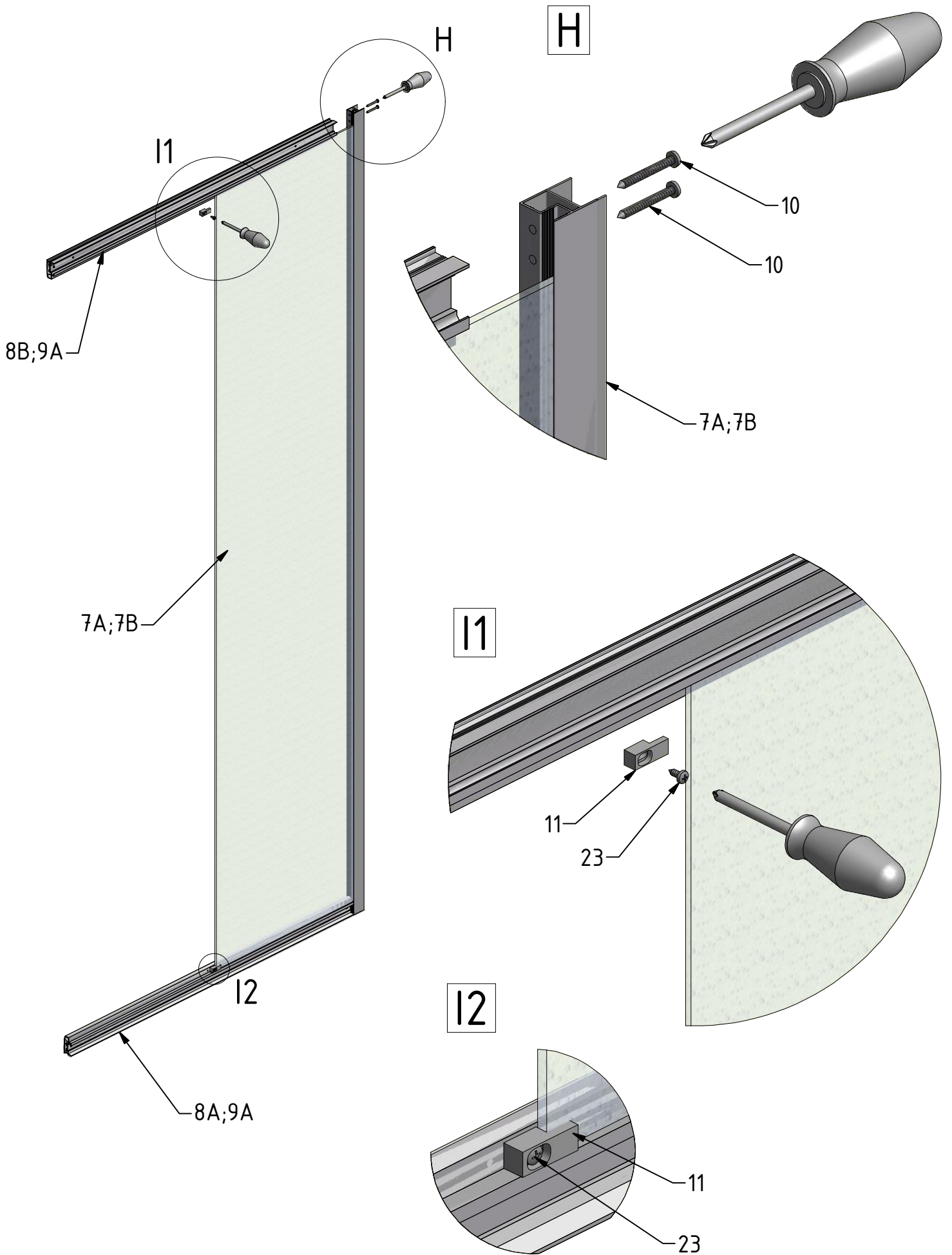


F 6x

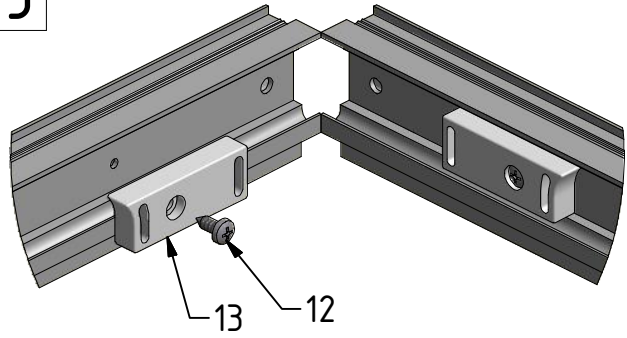


G 6x

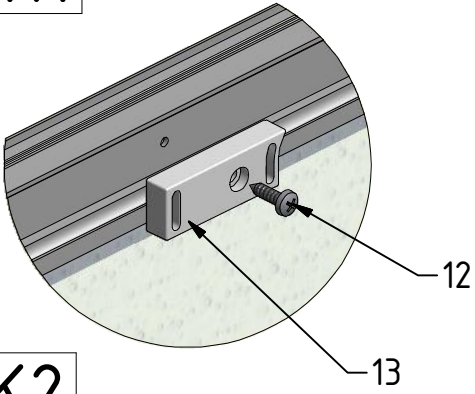




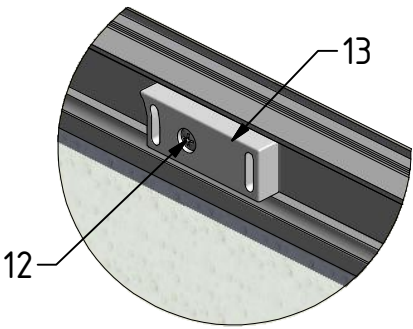
J



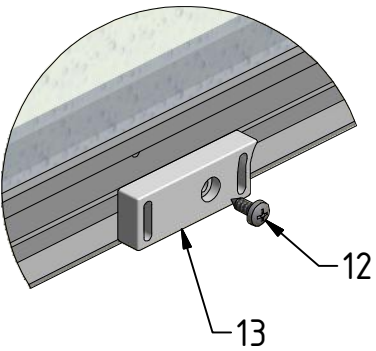
K1



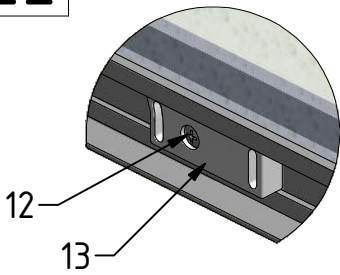
K2



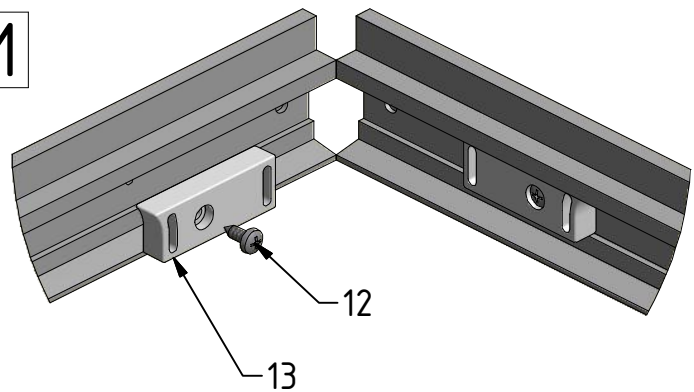
L1

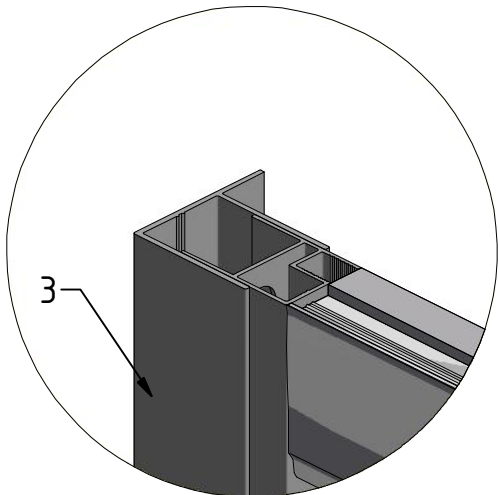
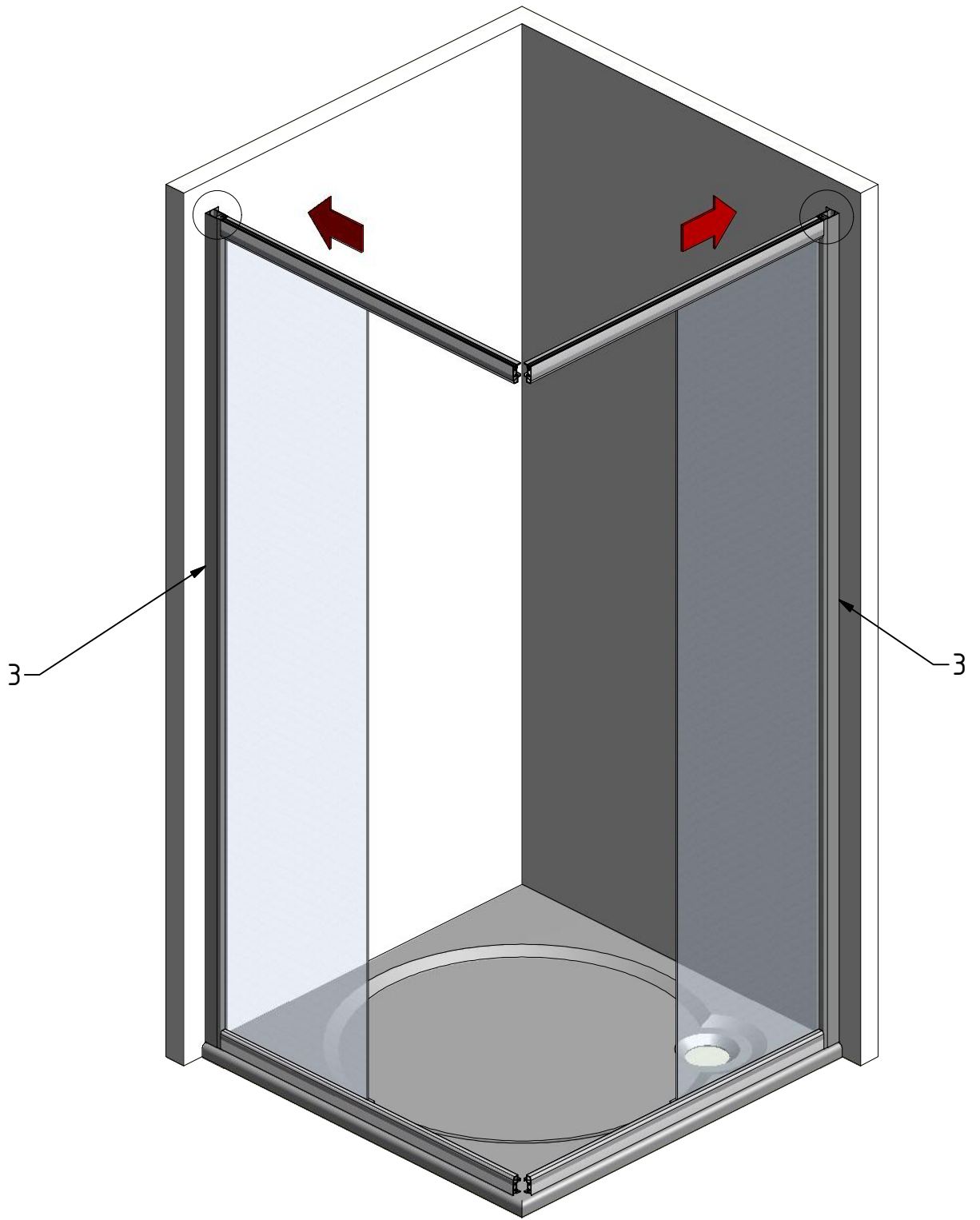


L2

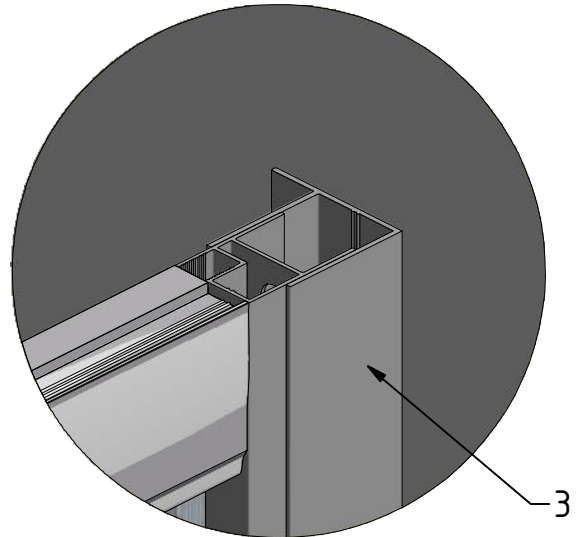


M

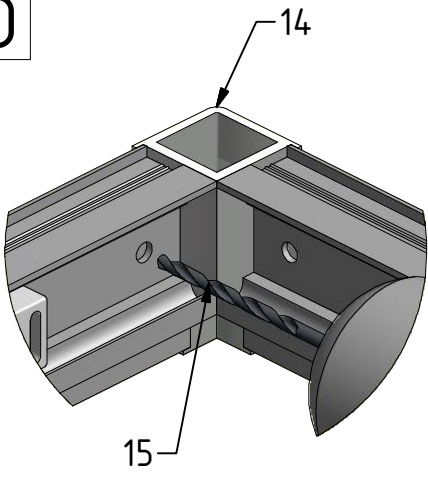




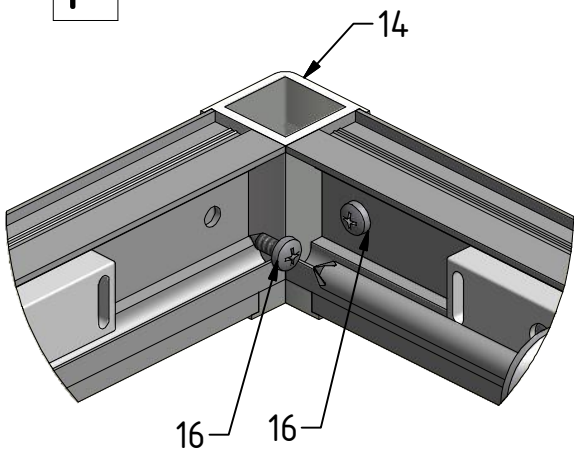
N



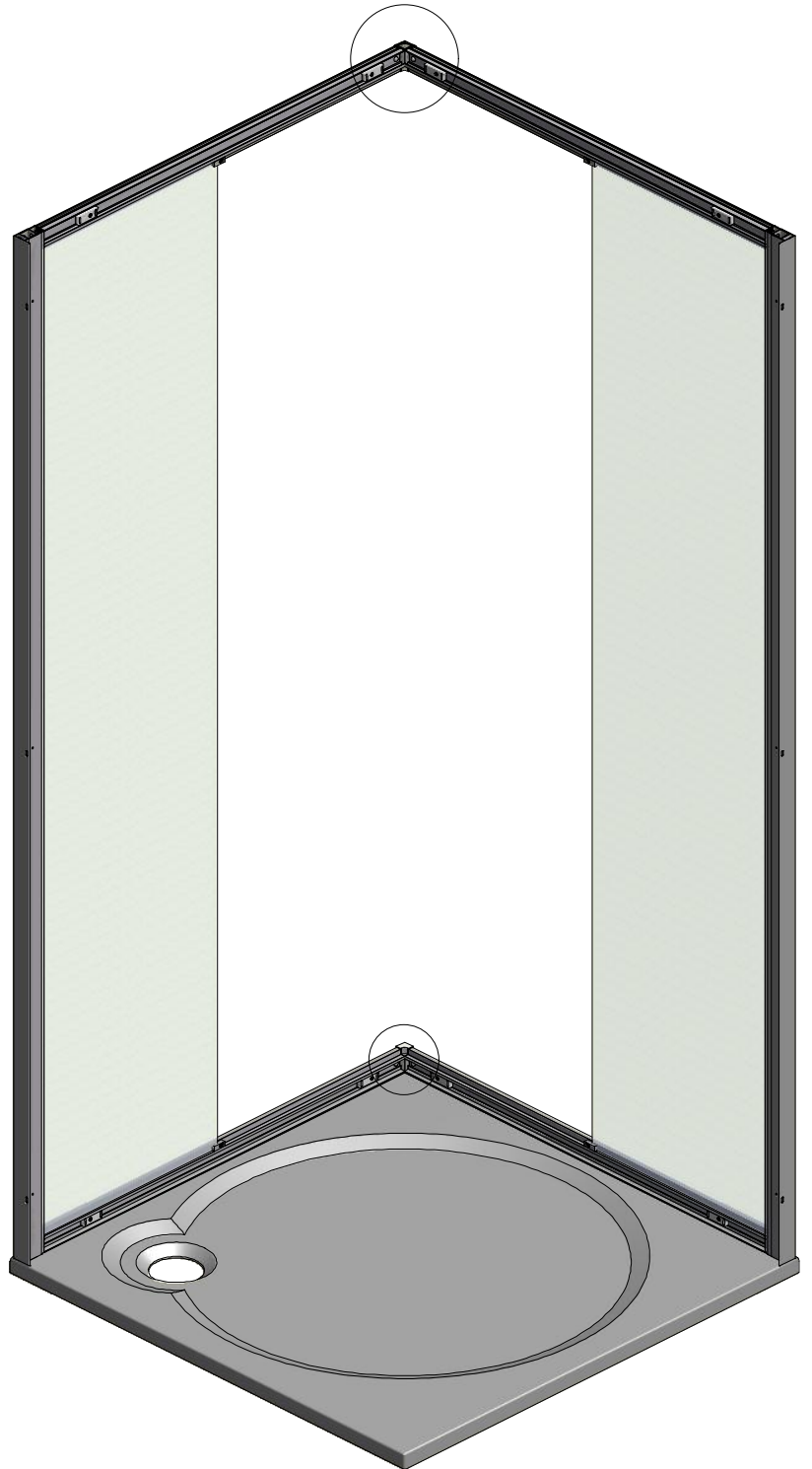
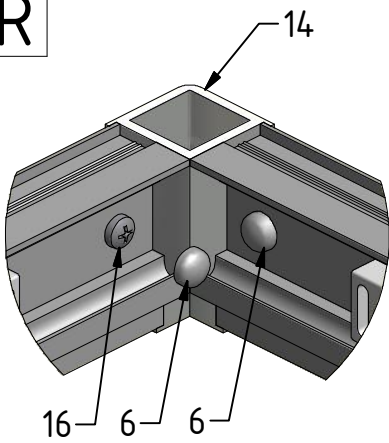
0

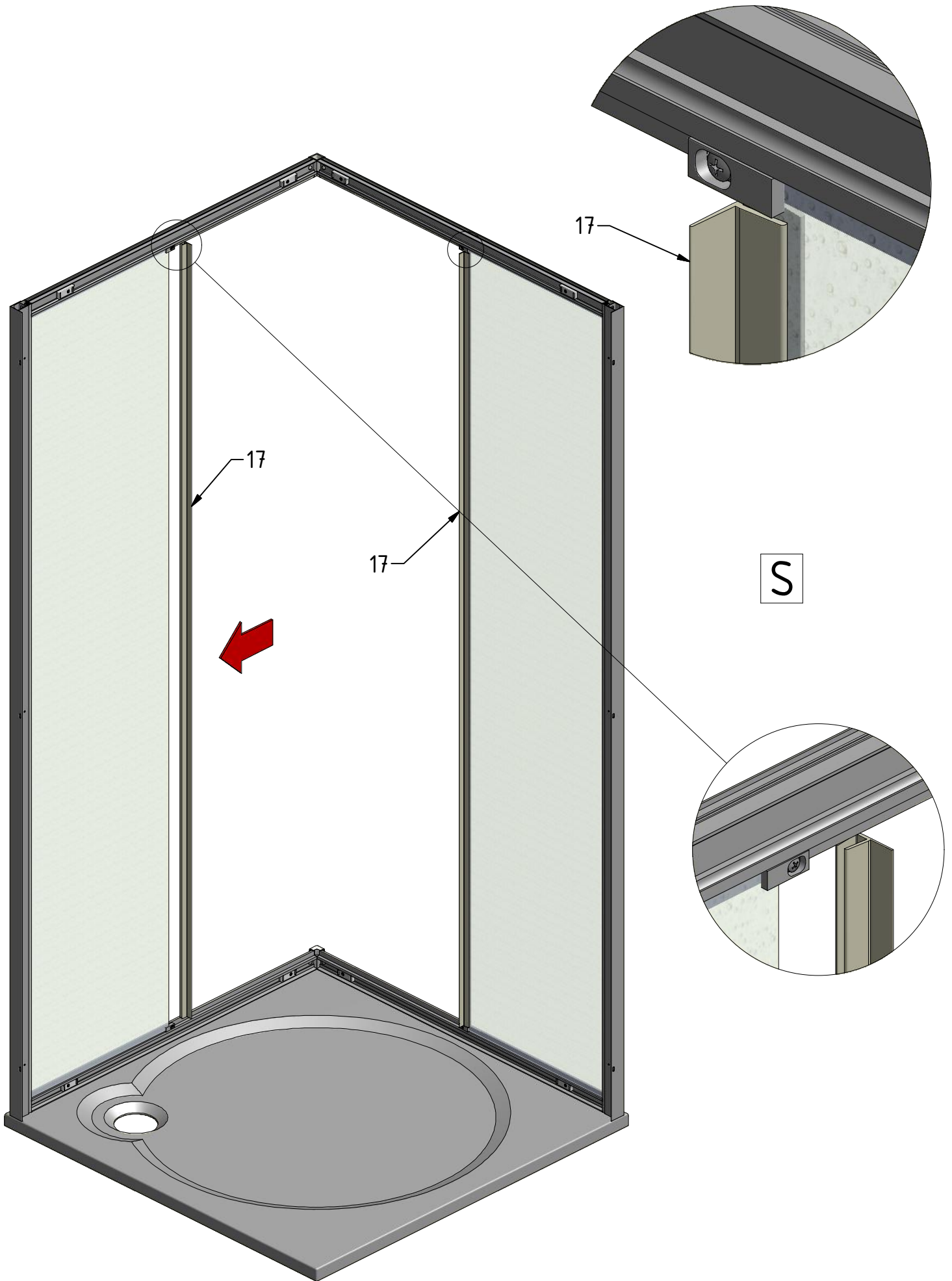


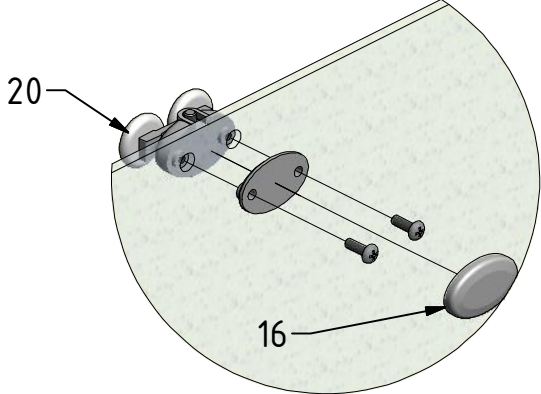
P



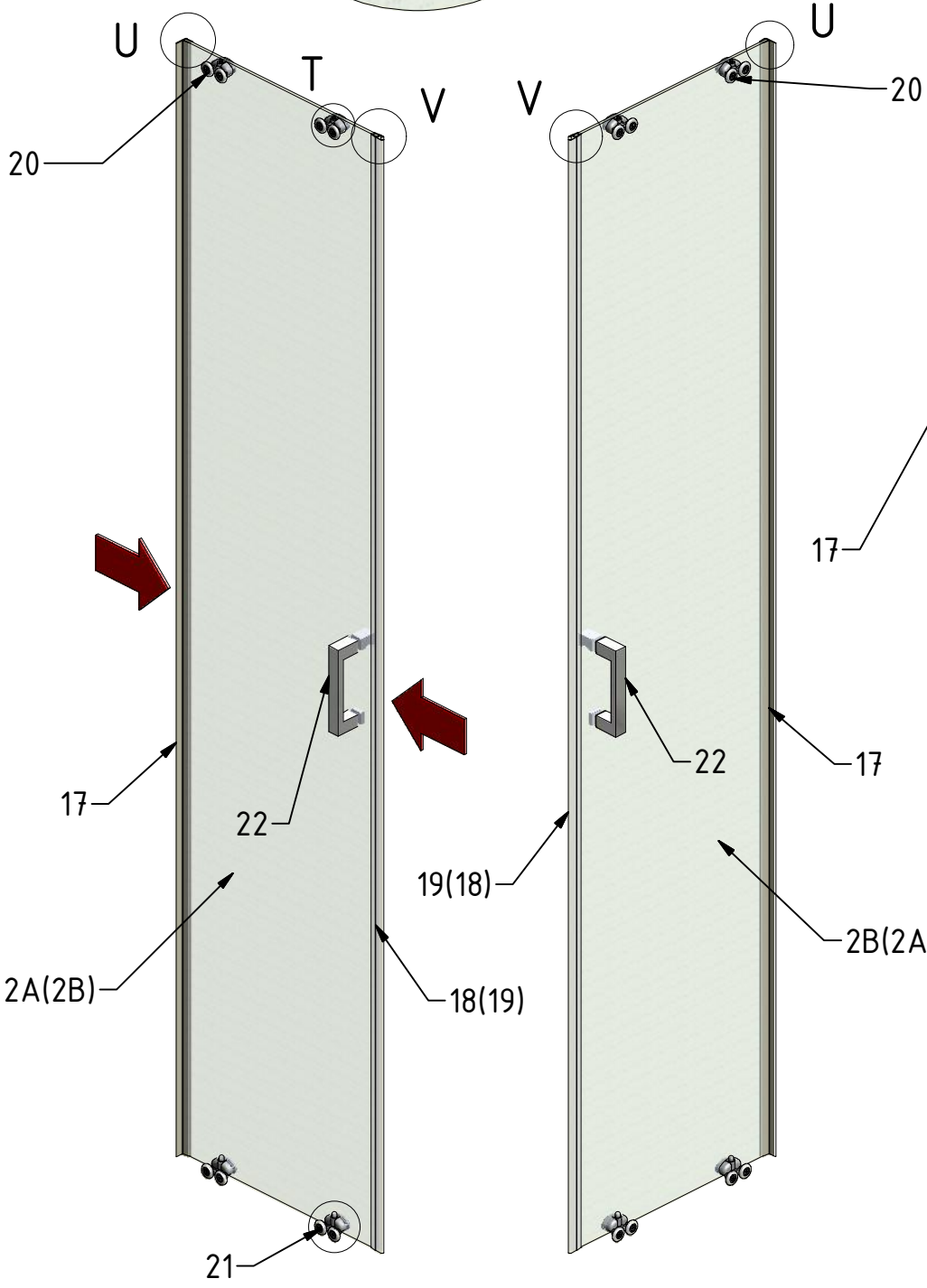
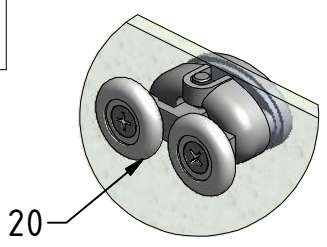
R



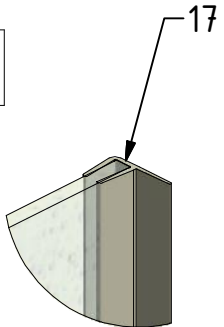




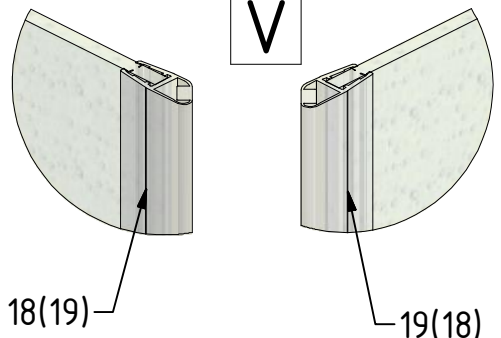
T



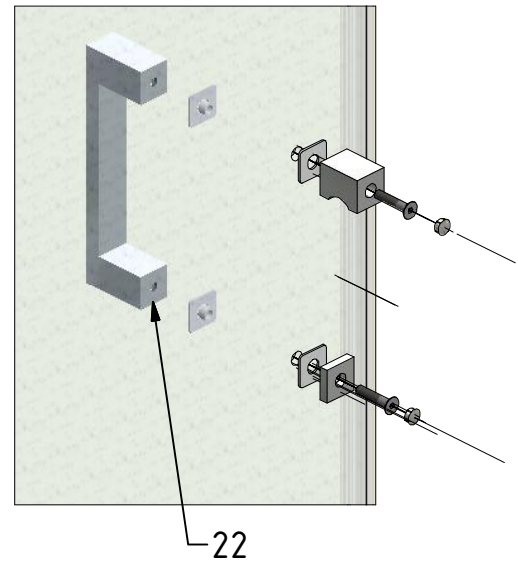
U



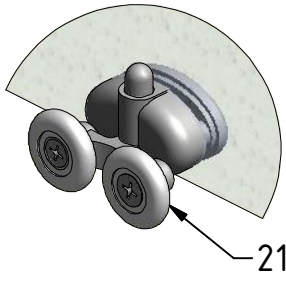
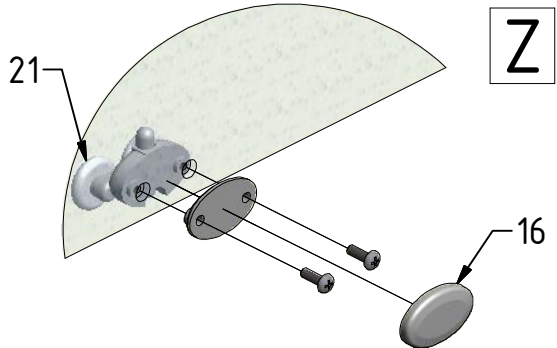
V



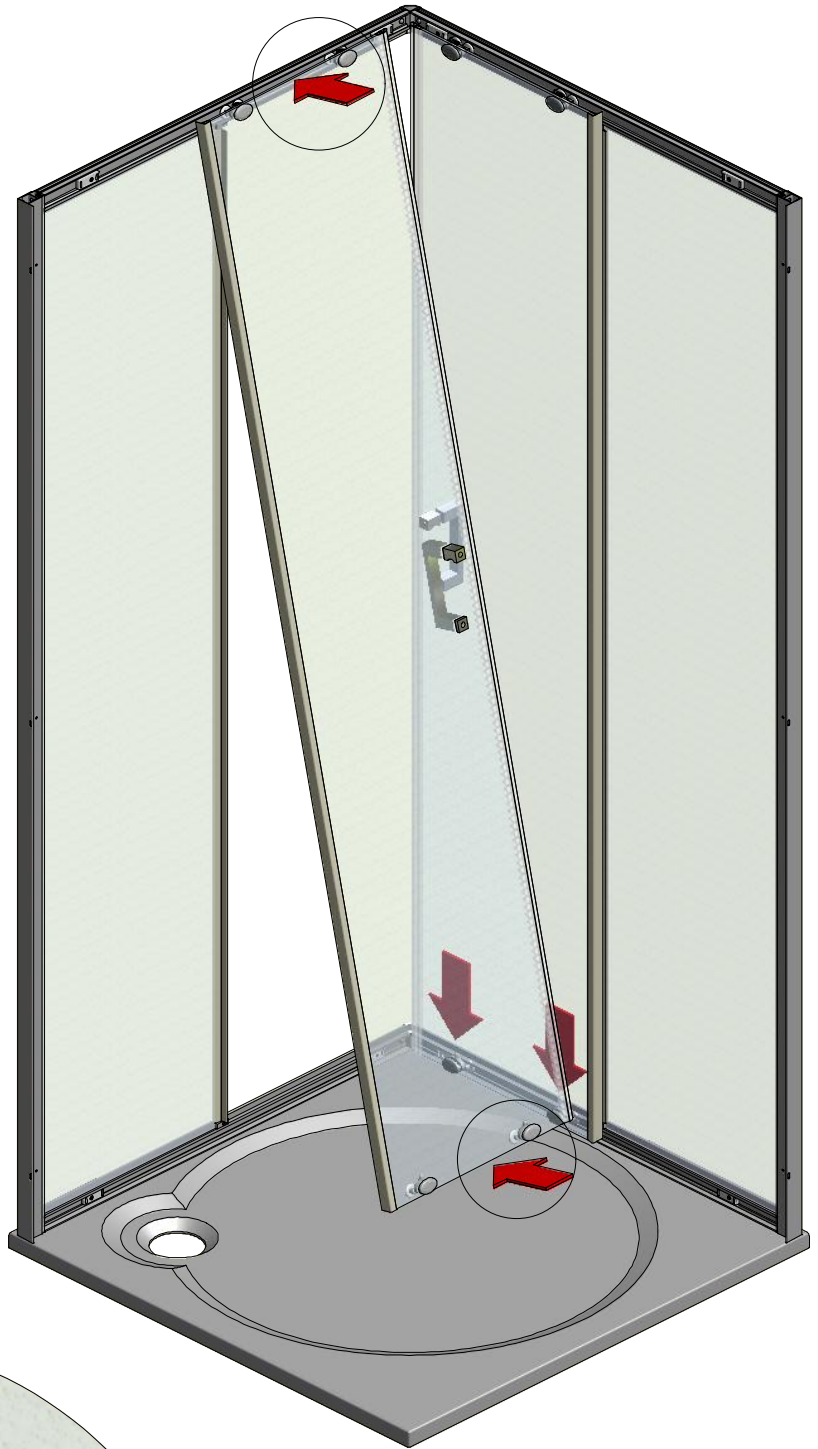
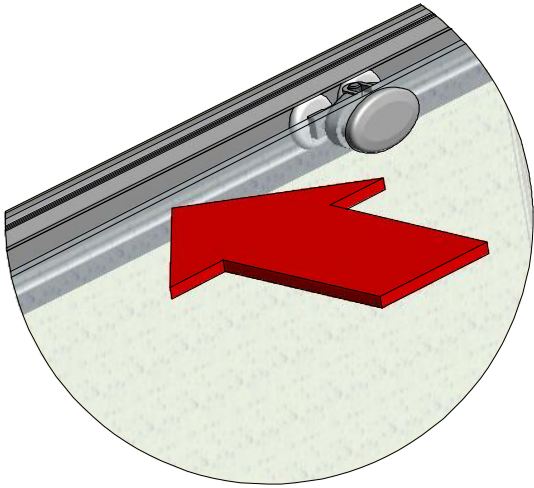
W



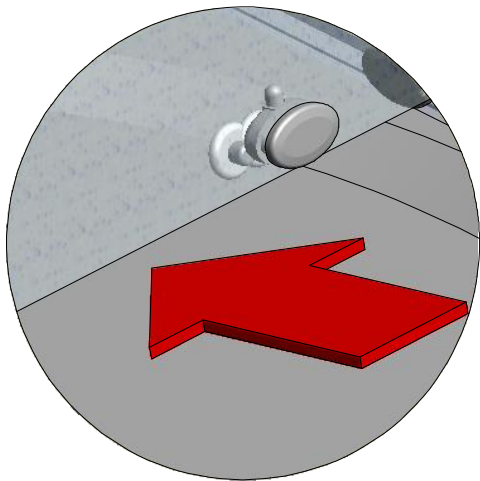
Z



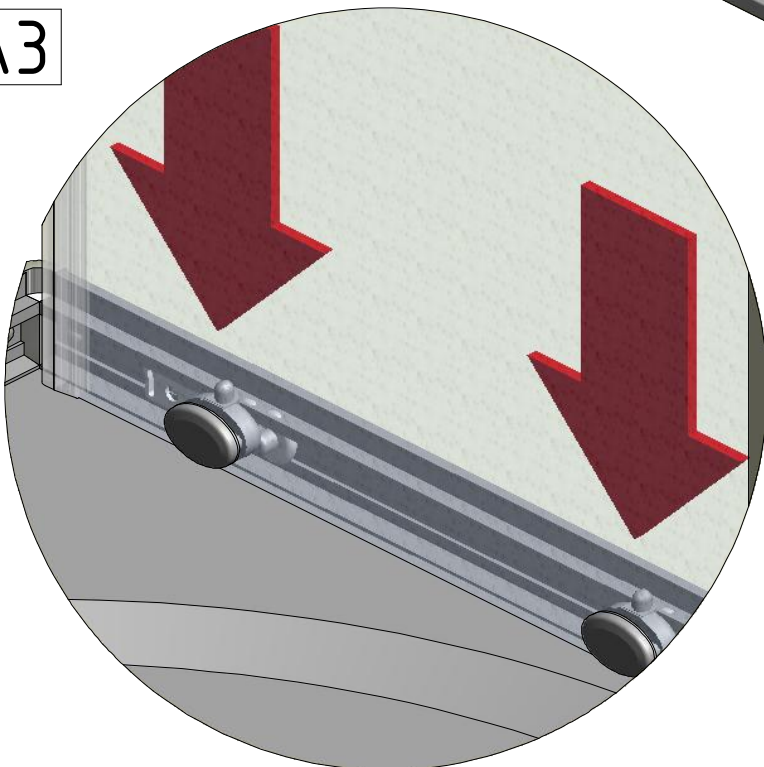
AA1

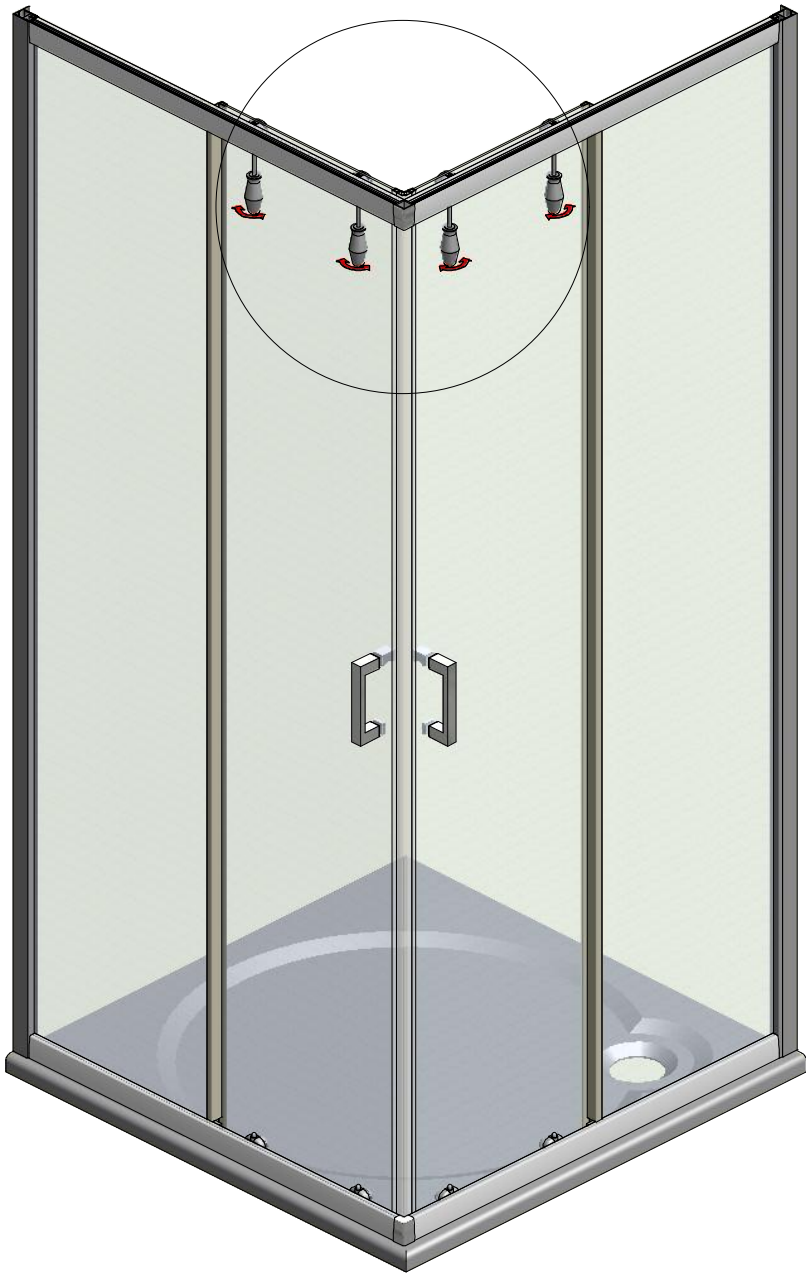


AA2

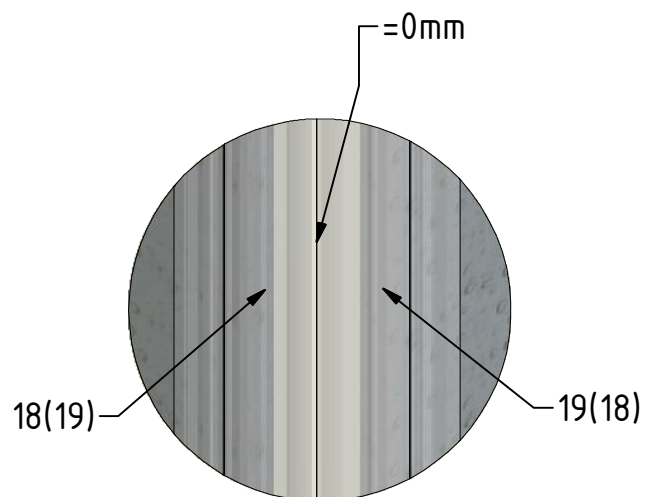
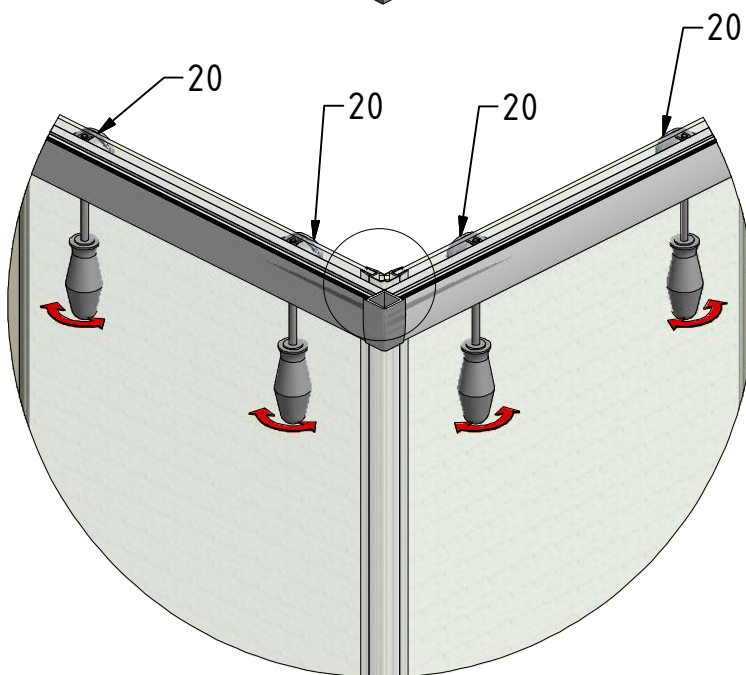


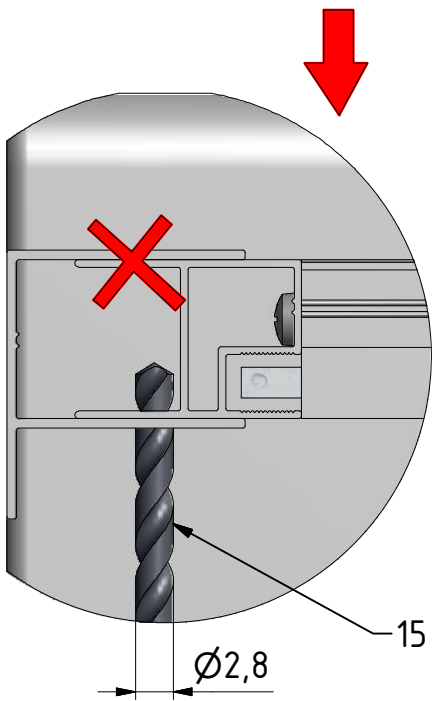
AA3



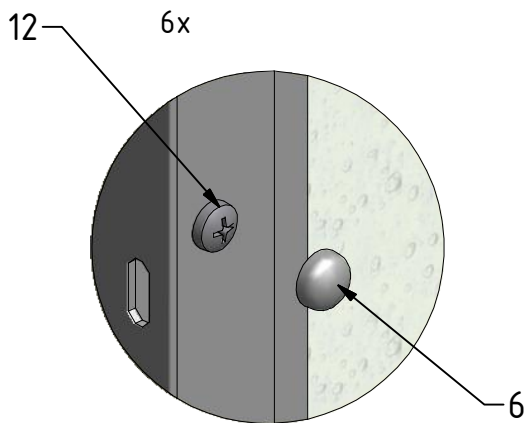
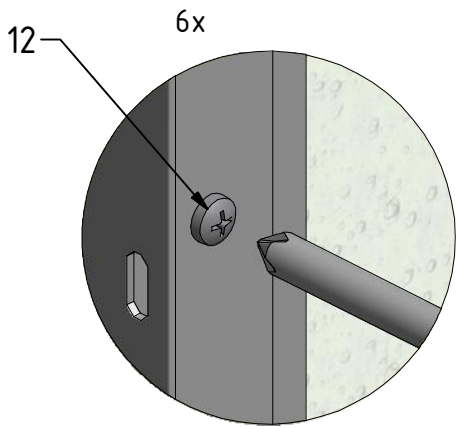
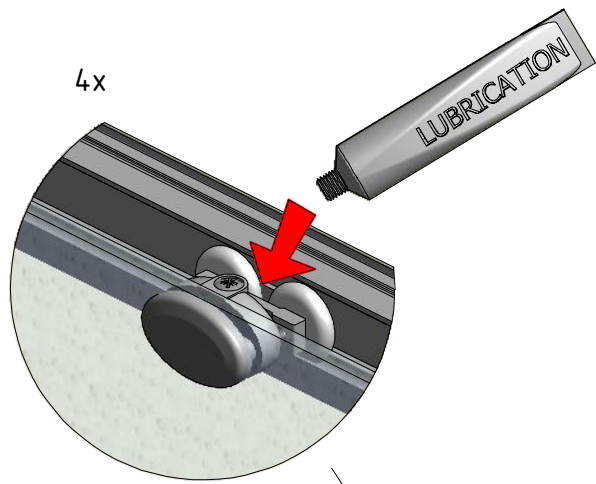


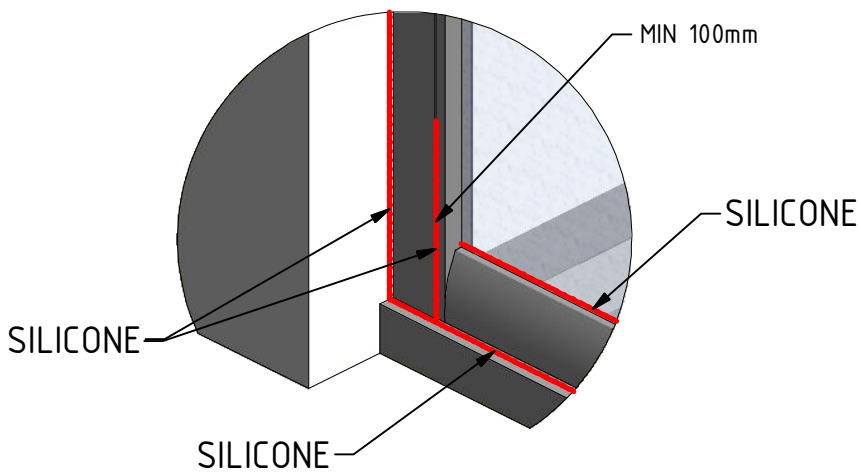
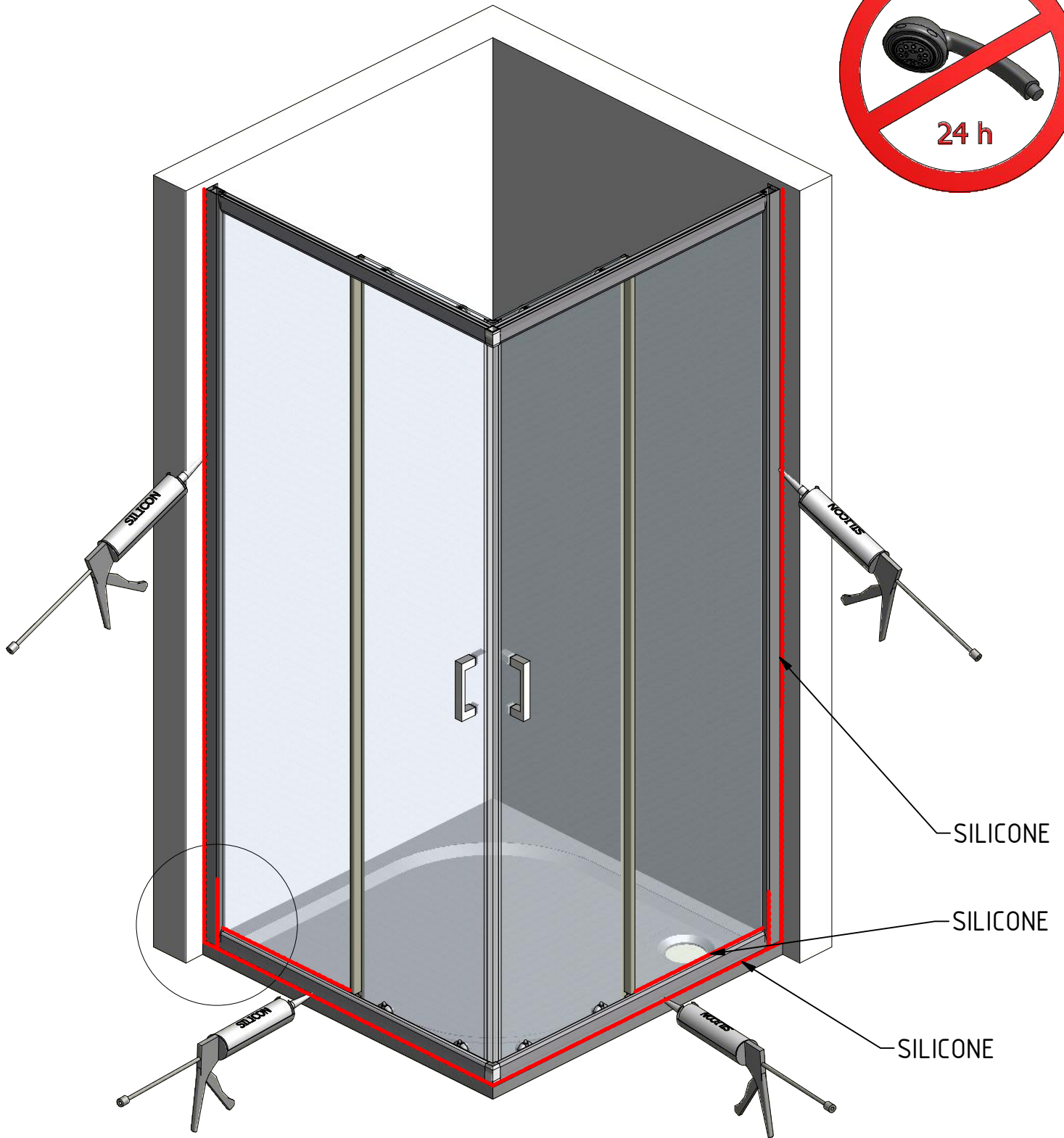
AB 4x



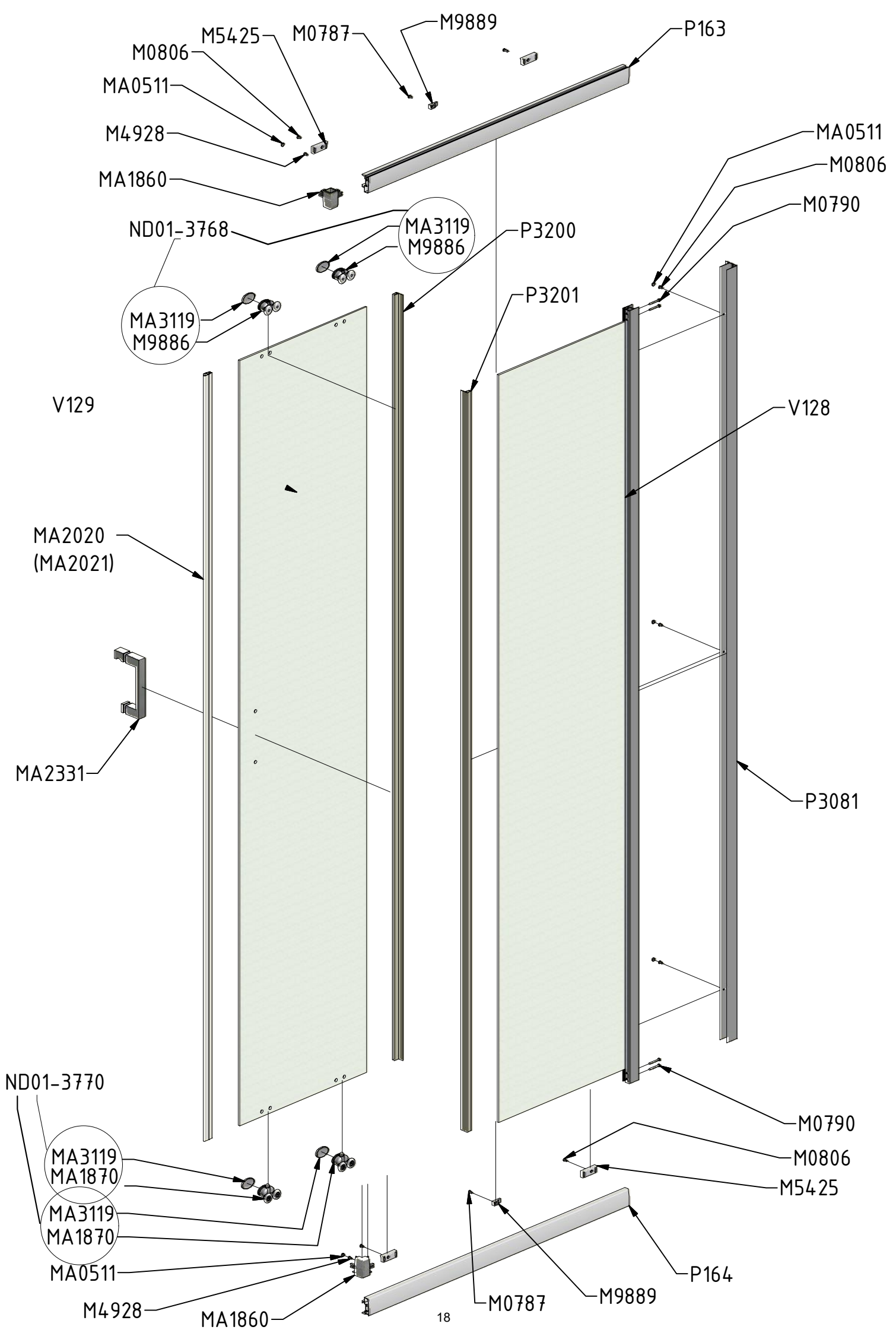


AC 6x





AD



V128	800	brillant+clear glass	ND03-0524-00-02
		brillant+intima	ND03-0524-00-21
	900	brillant+clear glass	ND03-0525-00-02
		brillant+intima	ND03-0525-00-21
	1000	brillant+clear glass	ND03-0525-00-02
		brillant+intima	ND03-0525-00-21
1200	brillant+clear glass	ND03-0526-00-02	
	brillant+intima	ND03-0526-00-21	

V129	800	clear glass	ND02-0659-02
		intima	ND02-0659-21
	900	clear glass	ND02-0659-02
		intima	ND02-0659-21
	1000	clear glass	ND02-0660-02
		intima	ND02-0660-21
	1200	clear glass	ND02-0660-02
		intima	ND02-0660-21

P163	800	brillant	P3330
	900		P3278
	1000		P3518
	1200		P3520

P164	800	brillant	P3331
	900		P3279
	1000		P3519
	1200		P3521