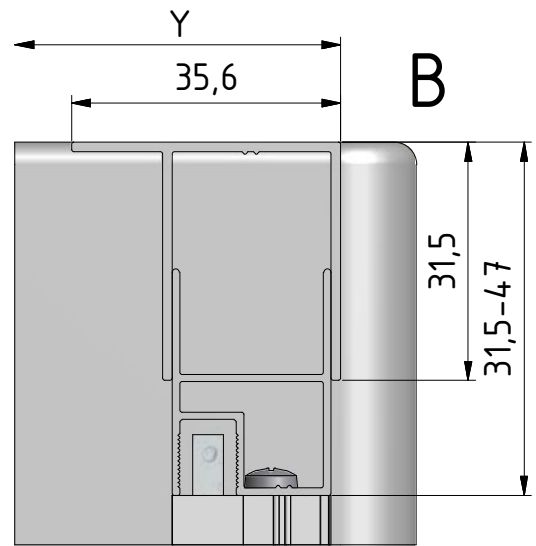
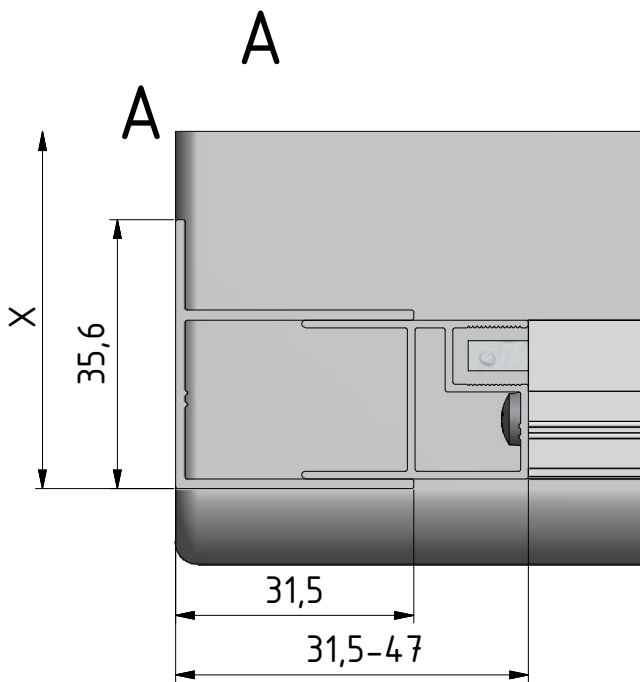
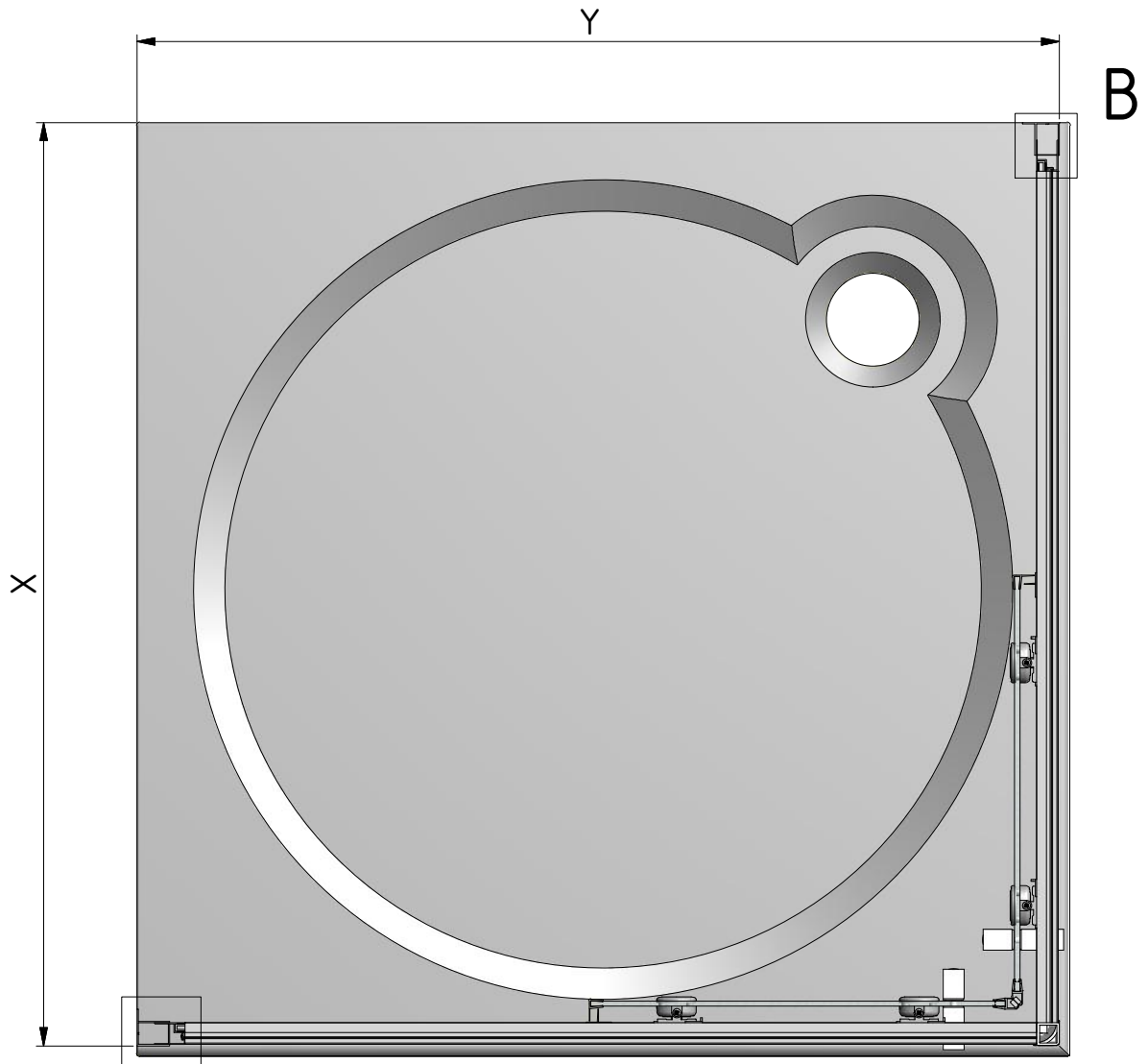


LLS2



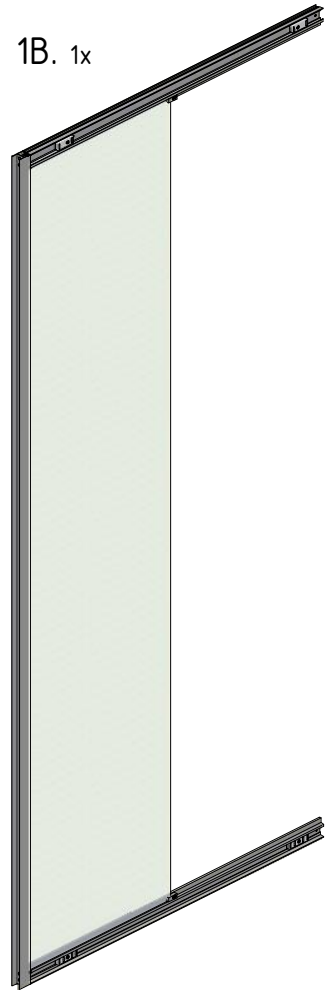


	X	Y
800x800	775-790	775-790
900x900	875-890	875-890

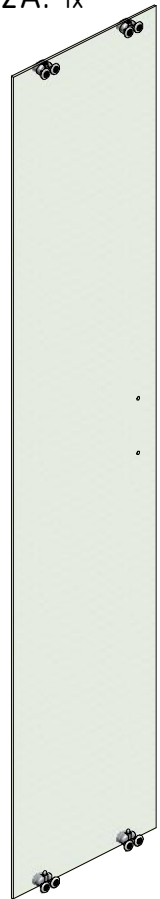
1A. 1x



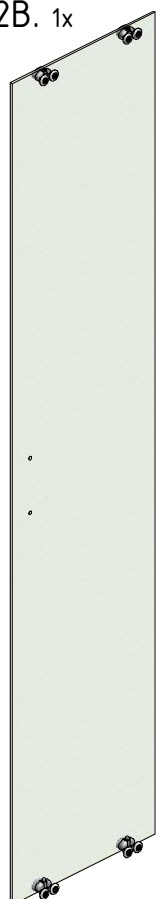
1B. 1x



2A. 1x



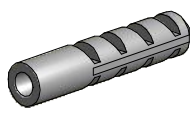
2B. 1x



3. 2x (P3081)



4. 6x (M0511)



5. 6x (M0795)

Ø3,5x38



6. 16x (MA0511)

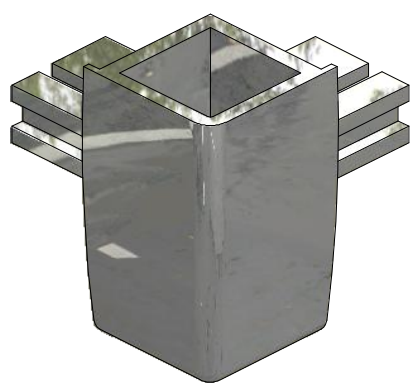


12. 6x (M0806)

Ø3,5x9,5

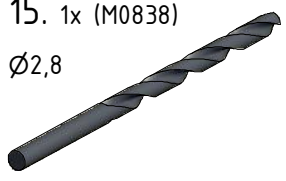


14. 2x (MA1860)



15. 1x (M0838)

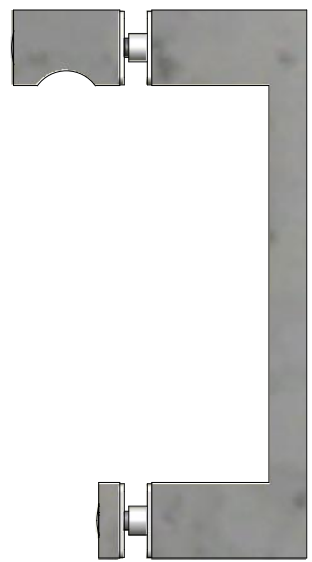
Ø2,8



23. 8x (MA3119)



22. 2x (MA2331)

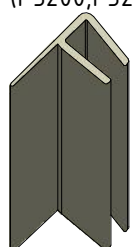


16. 4x (M4928)

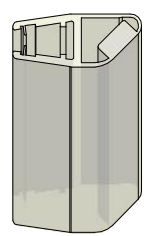
Ø3,5x6,5



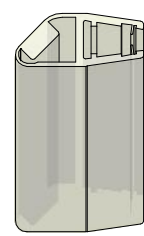
17. 2x+2x (P3200;P3201)

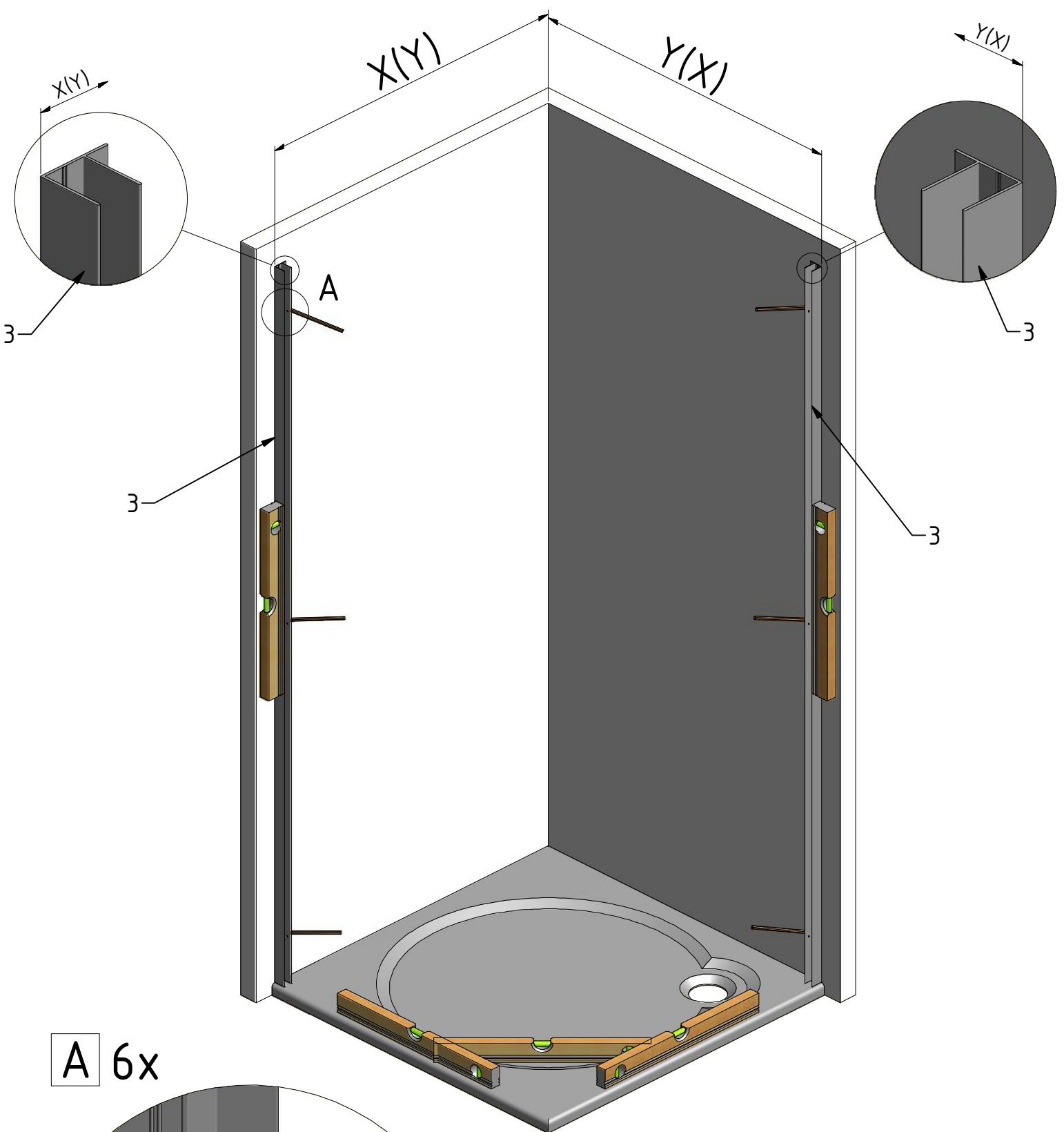


18. 1x (MA2020)

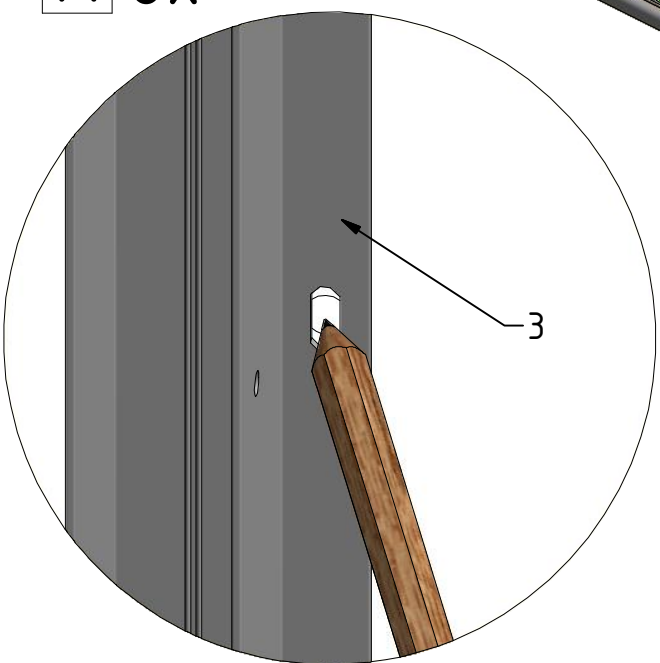


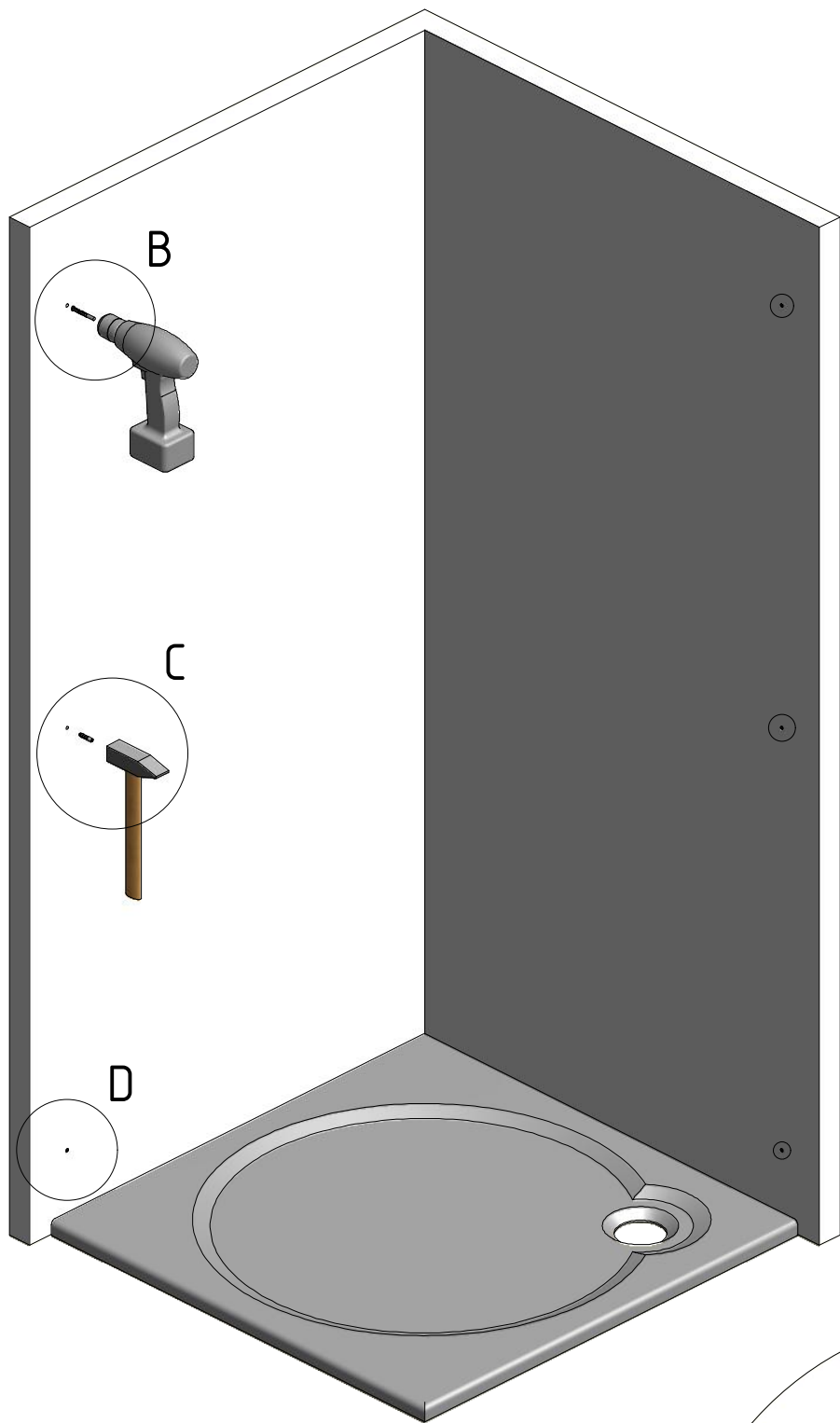
19. 1x (MA2021)



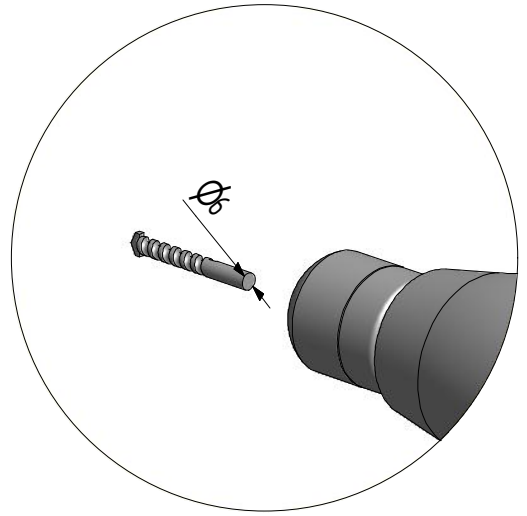


A 6x

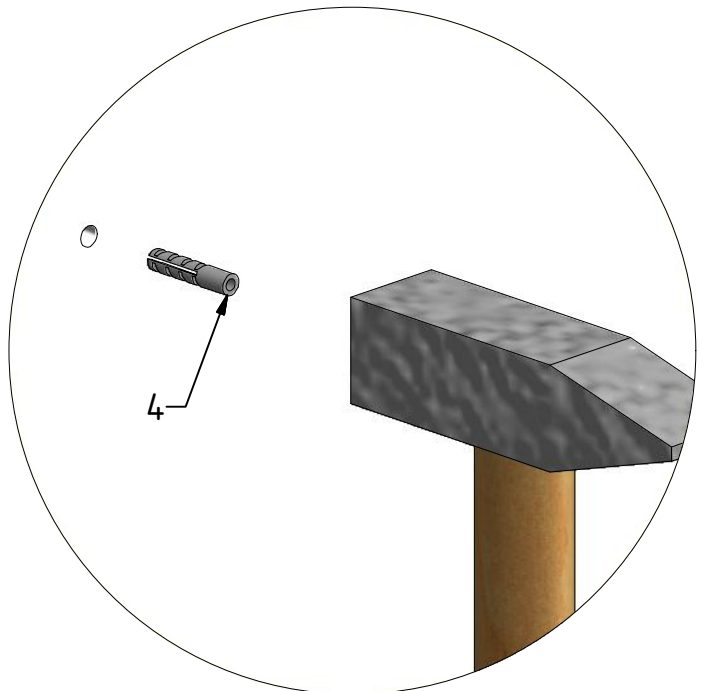




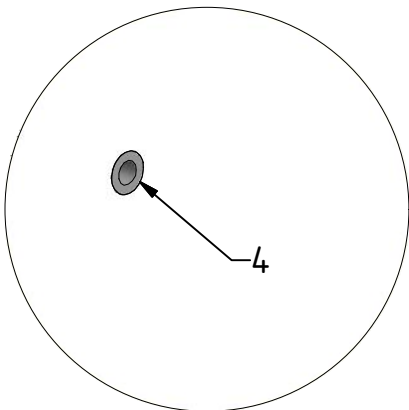
B 6x



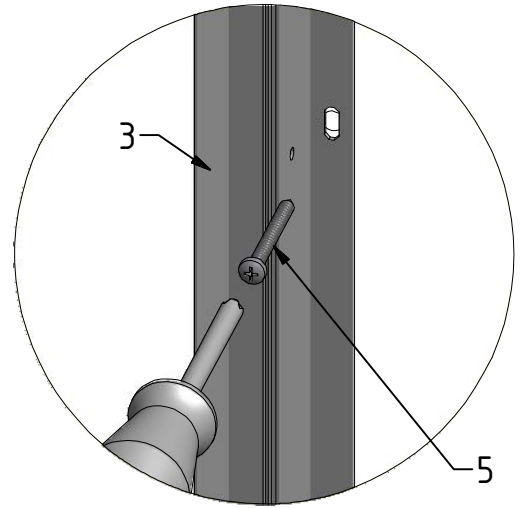
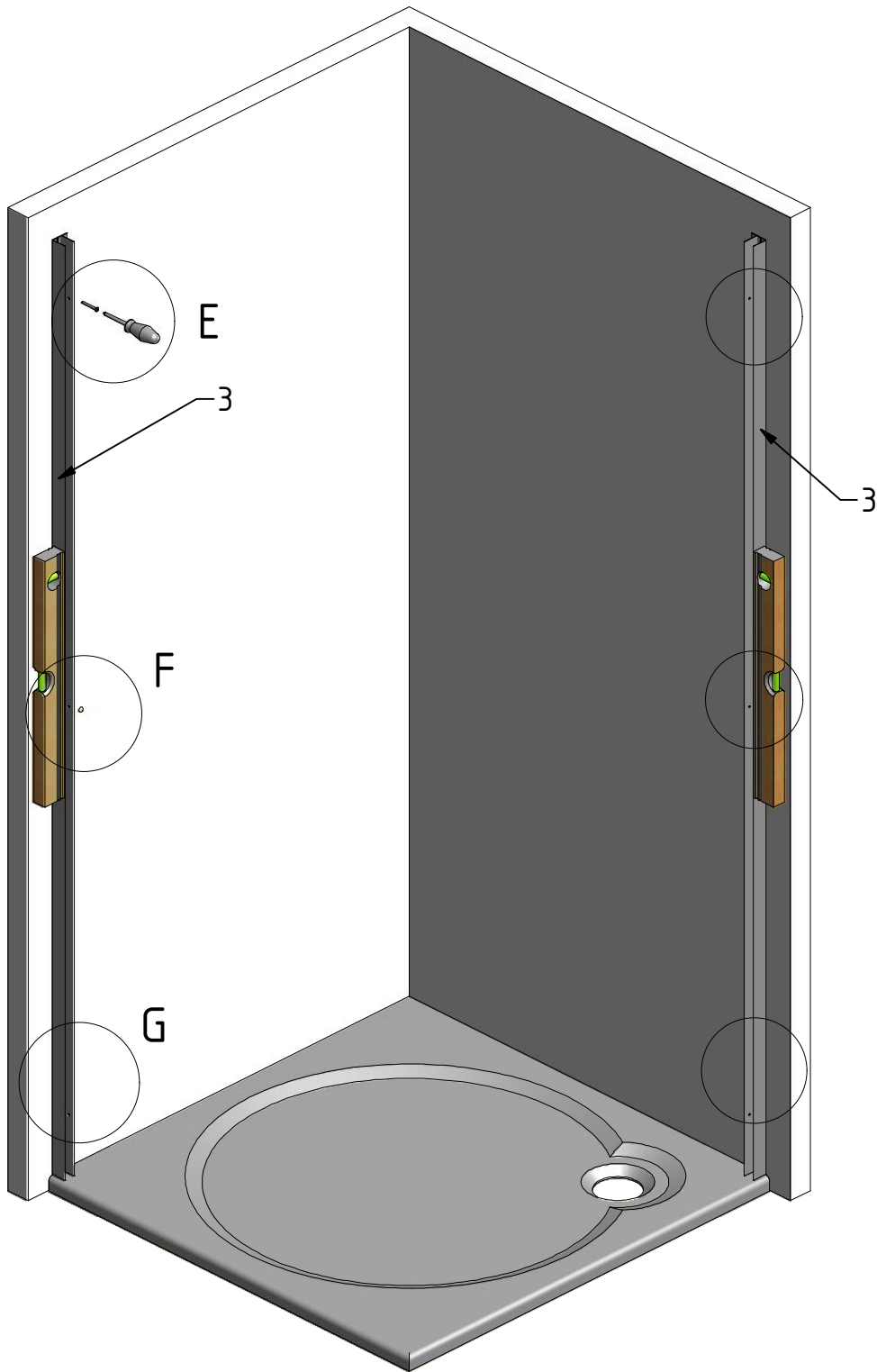
C 6x



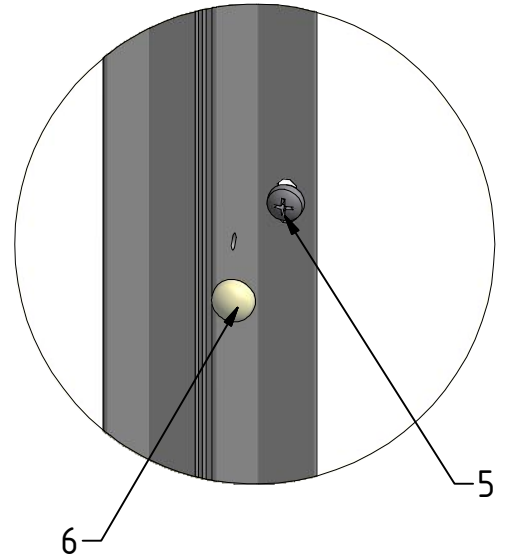
D 6x



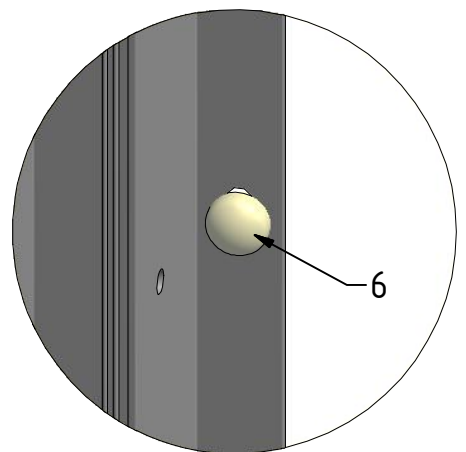
E 6x

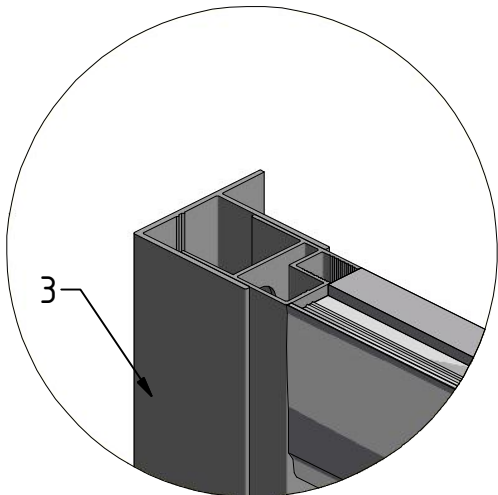
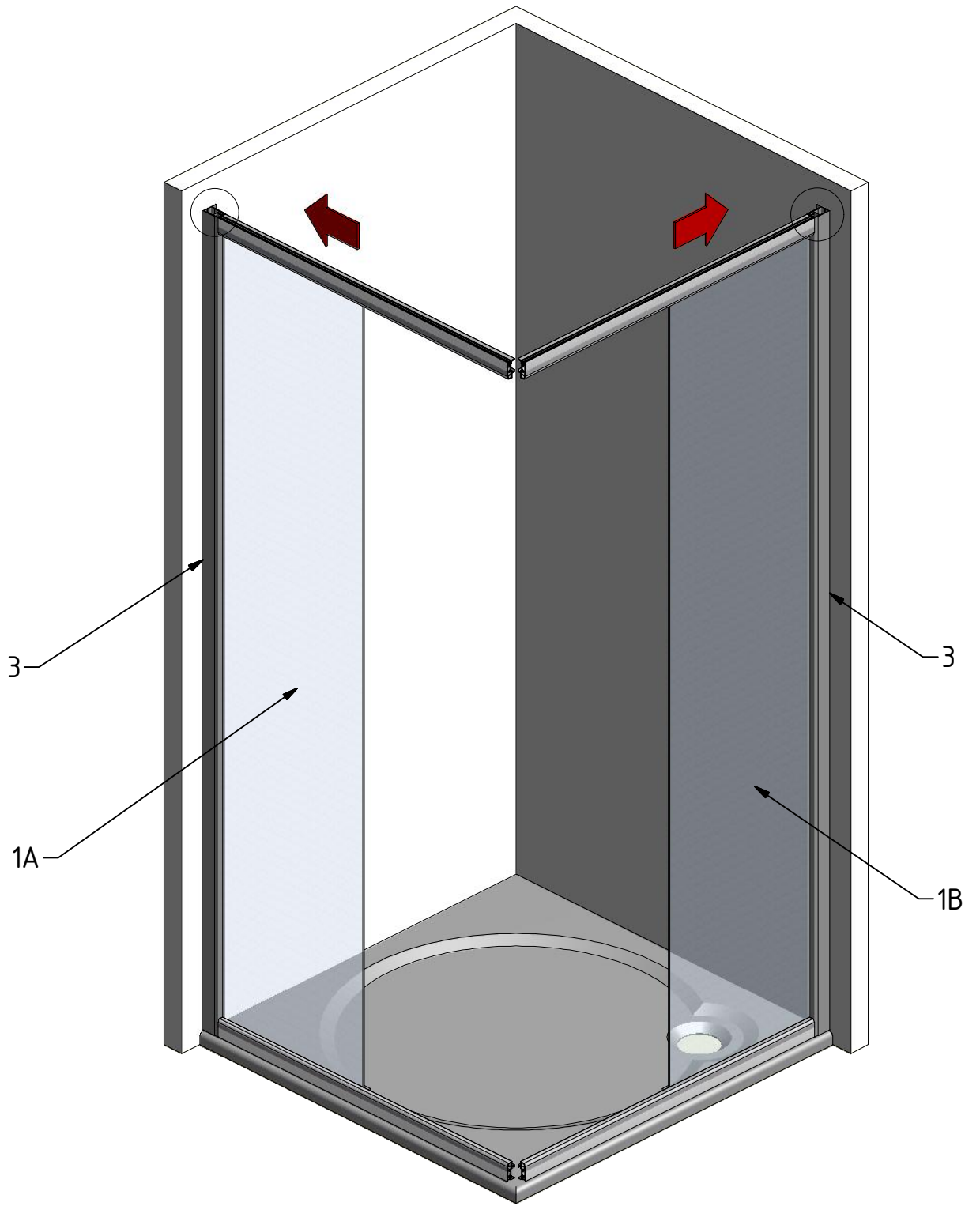


F 6x

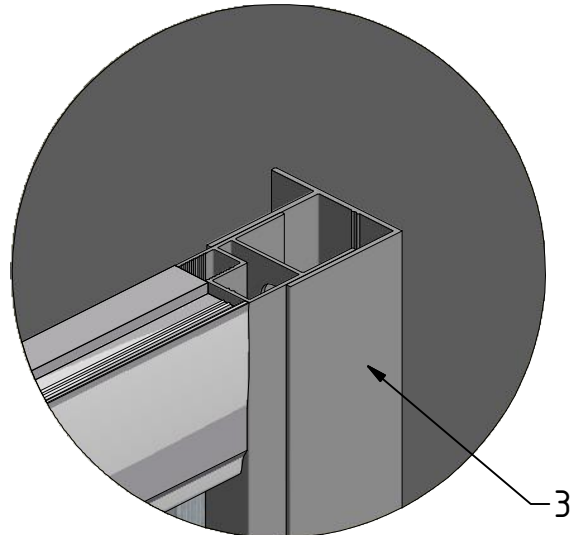


G 6x

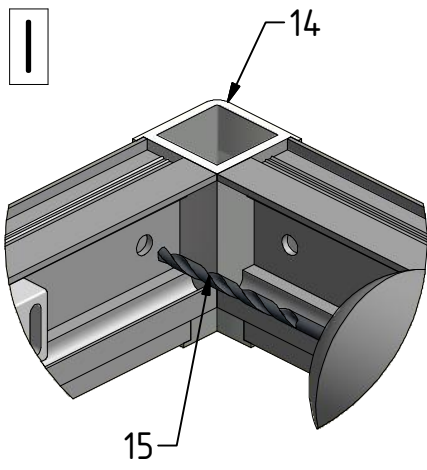




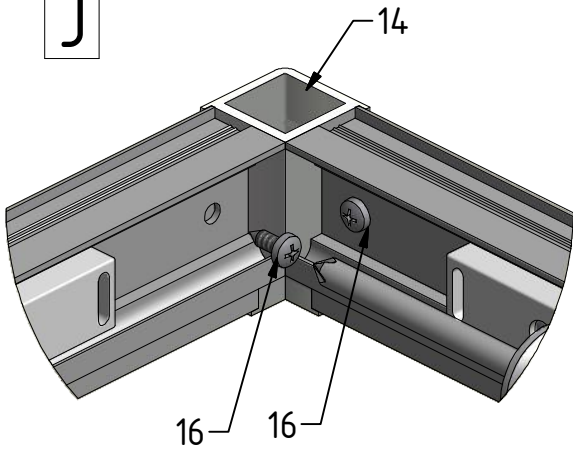
H



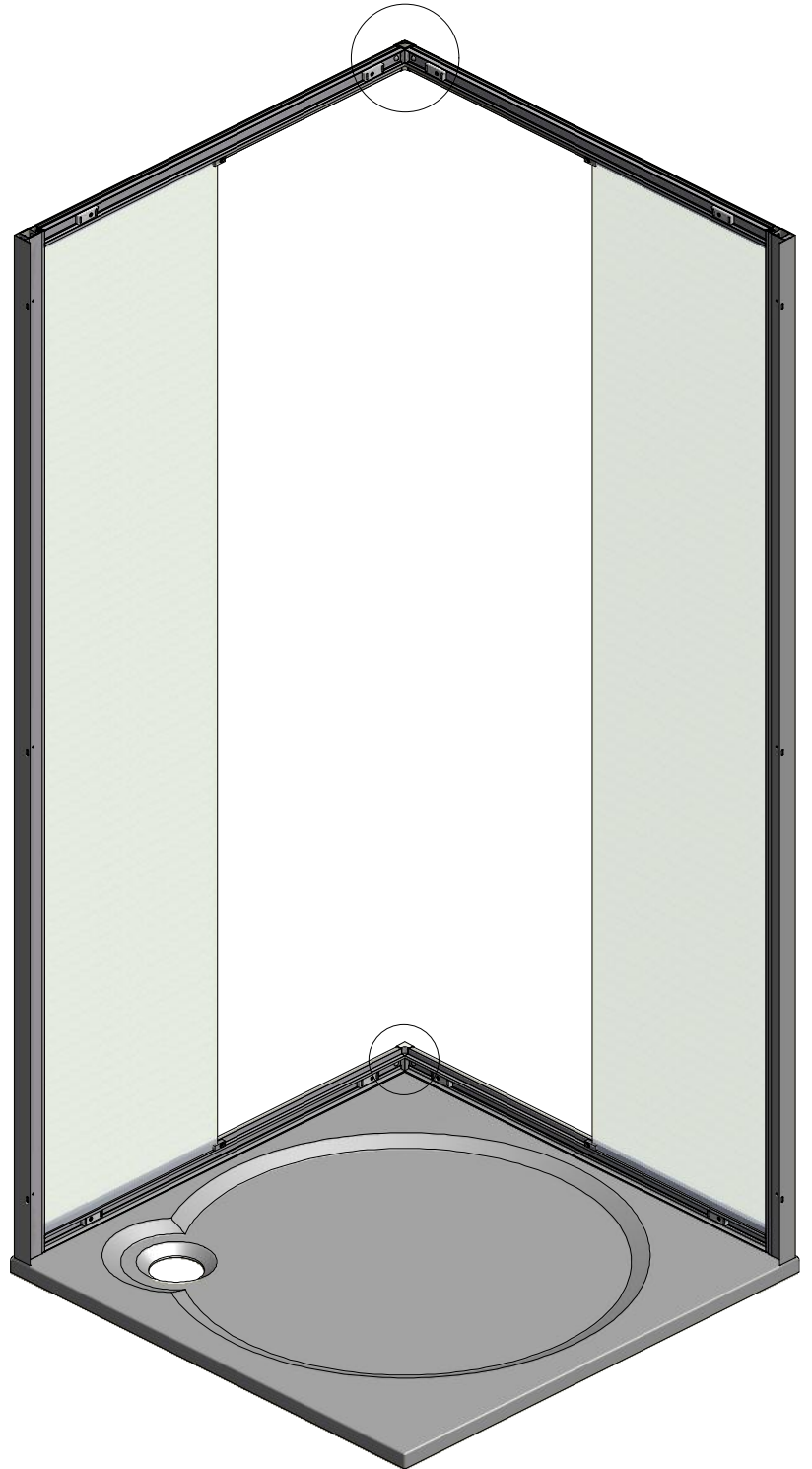
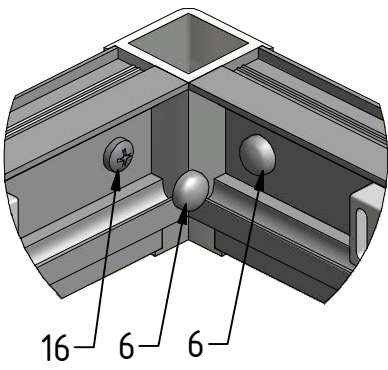
I

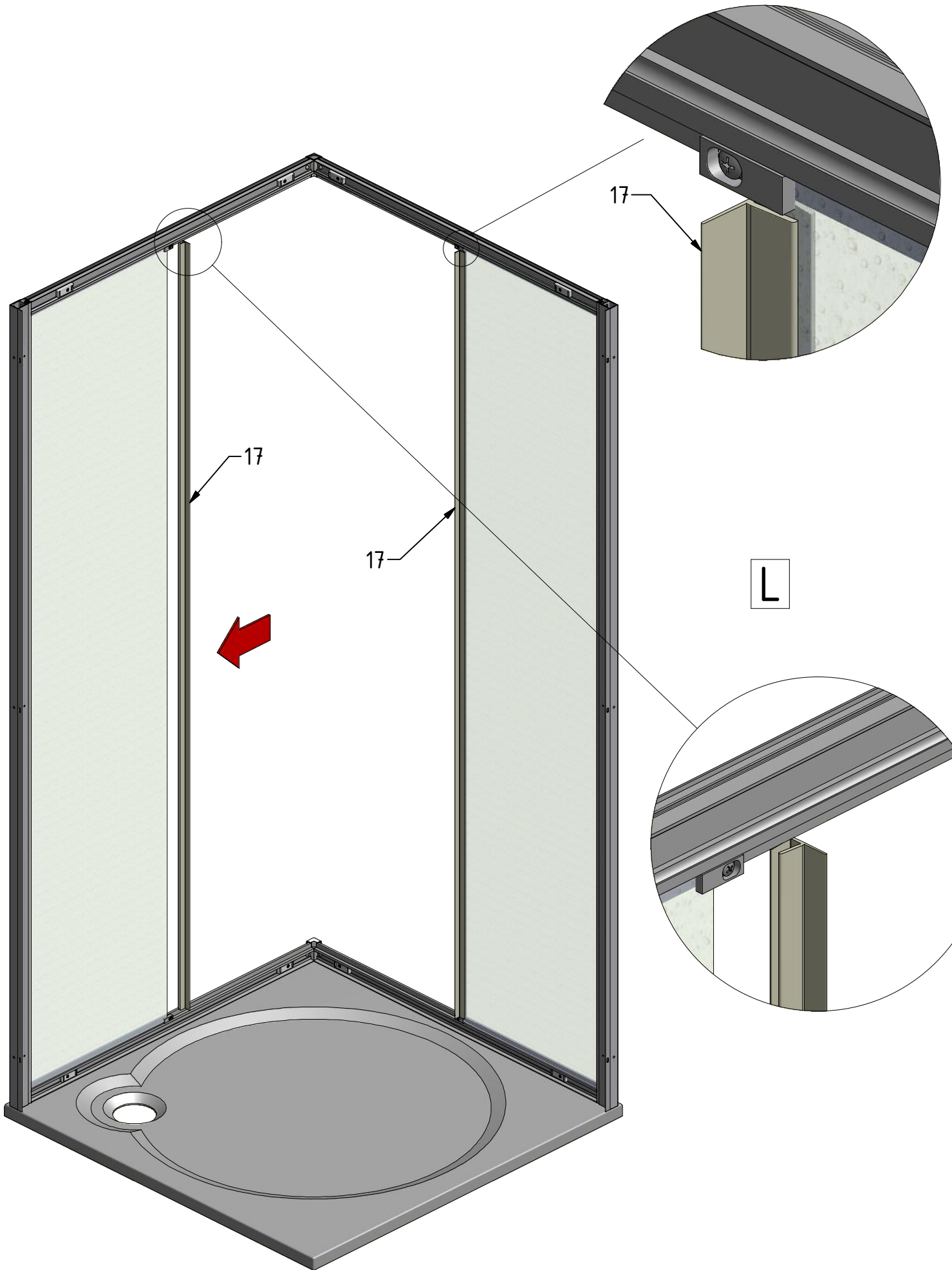


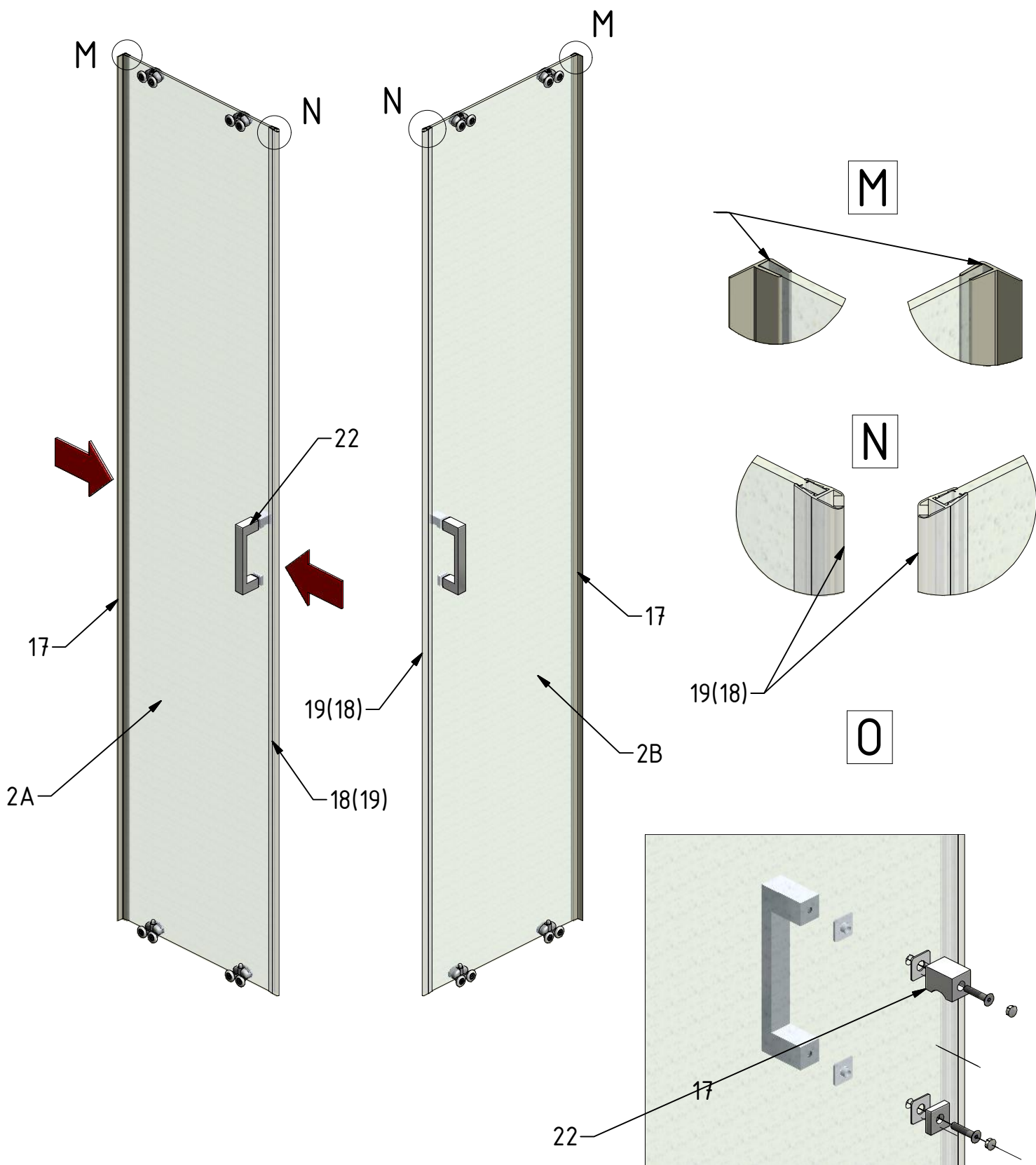
J



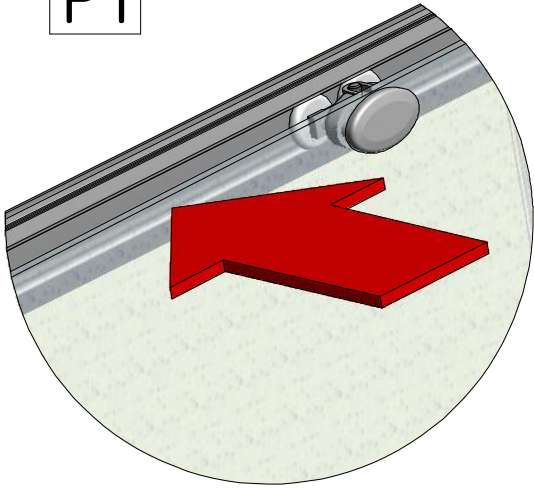
K



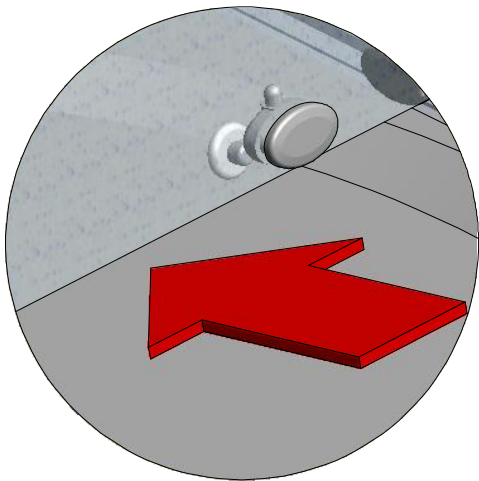




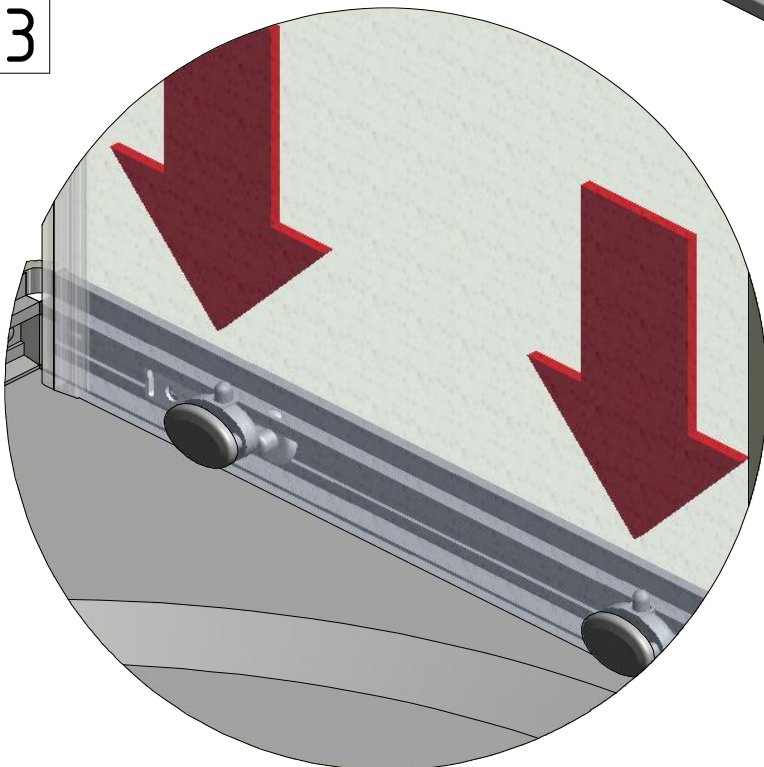
P1

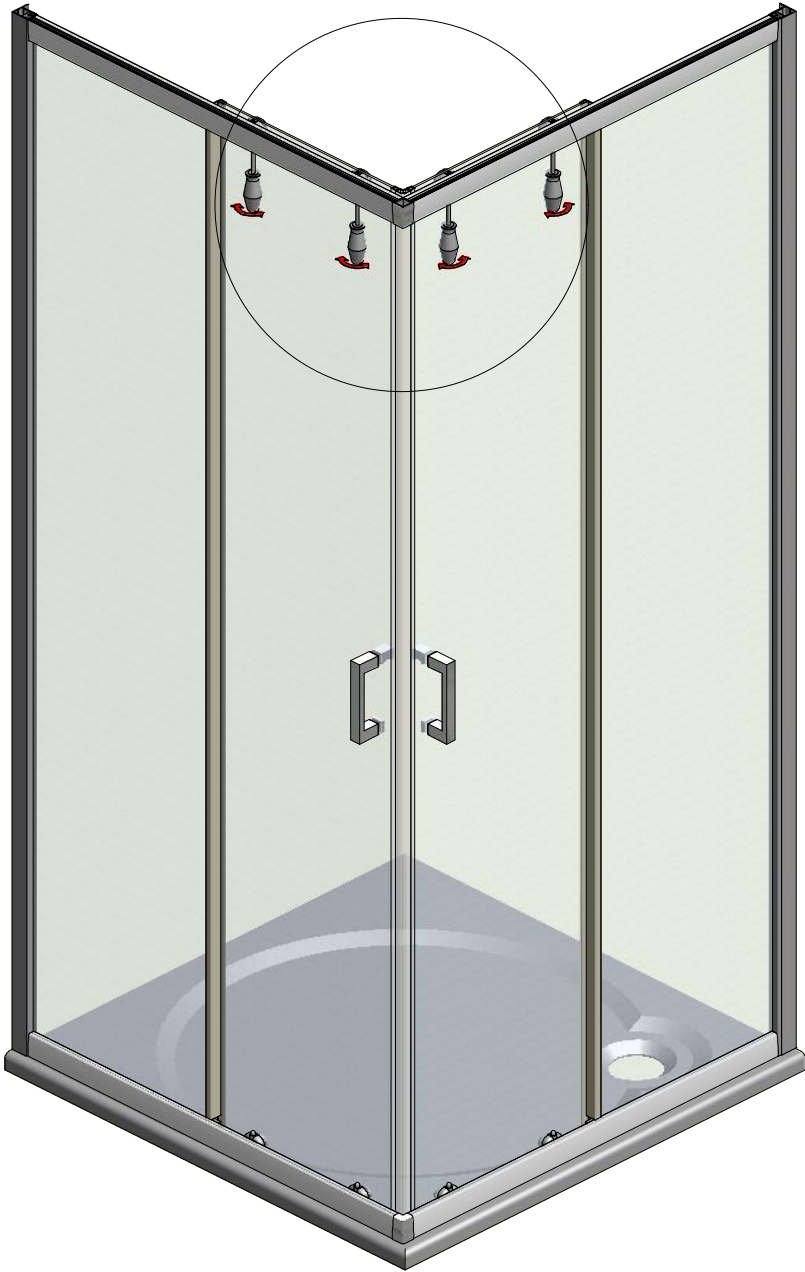


P2

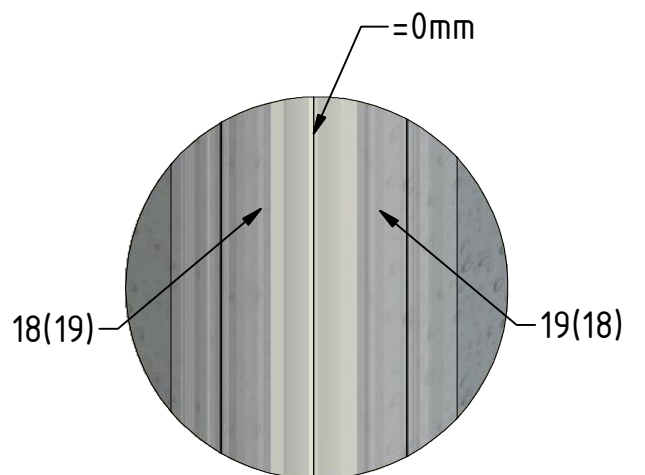
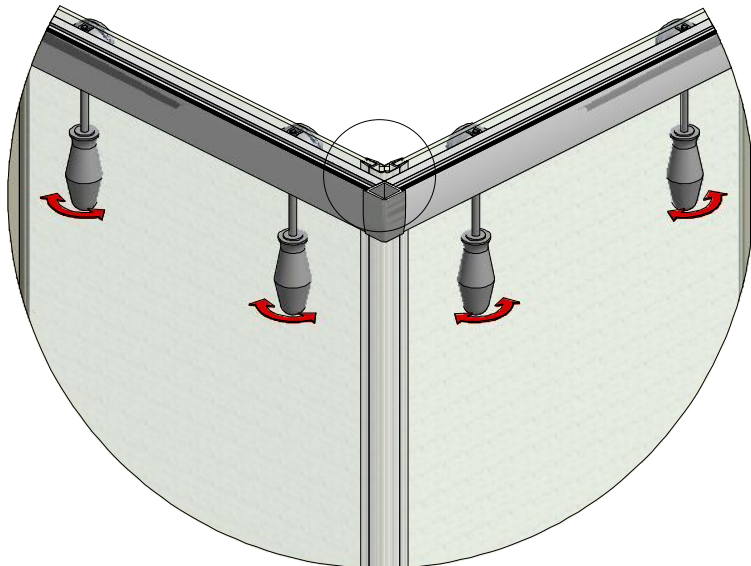
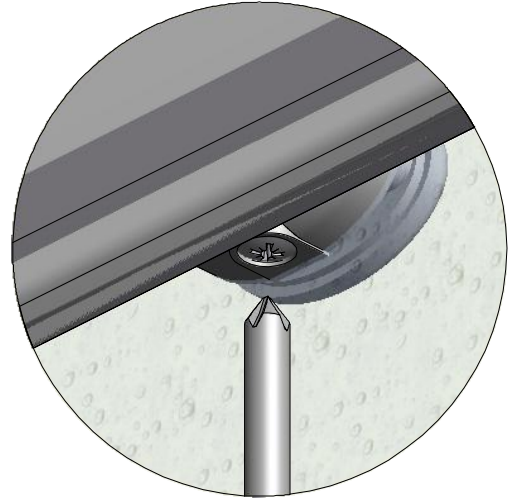


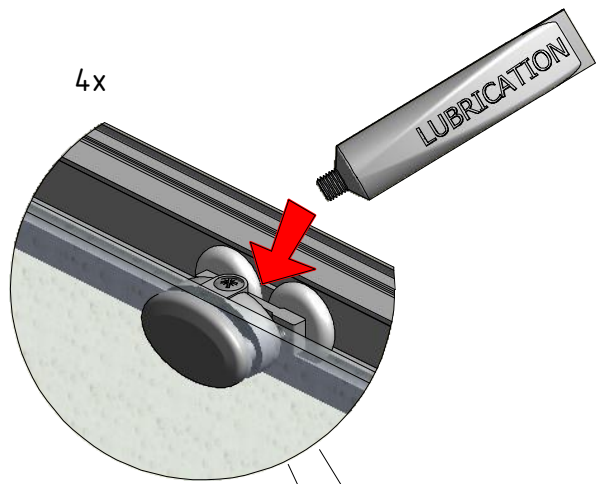
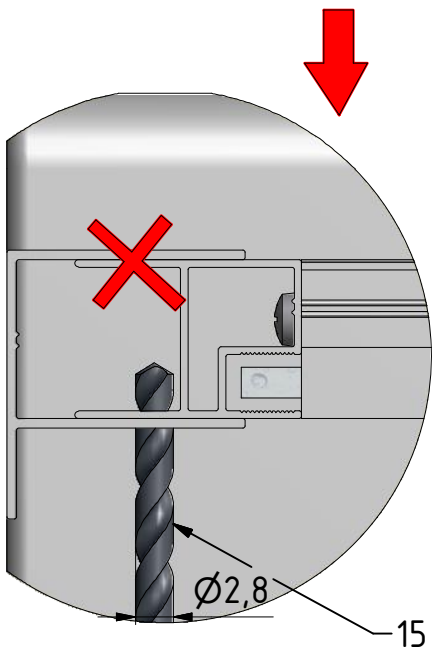
P3



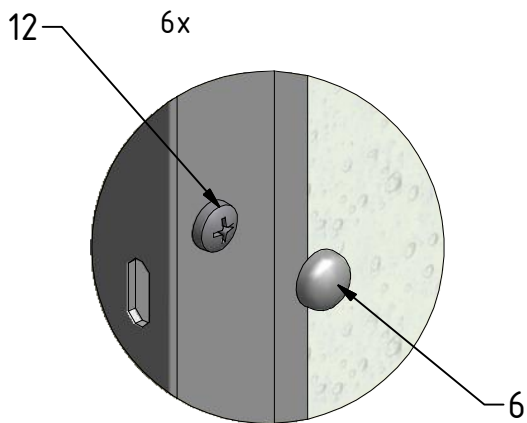
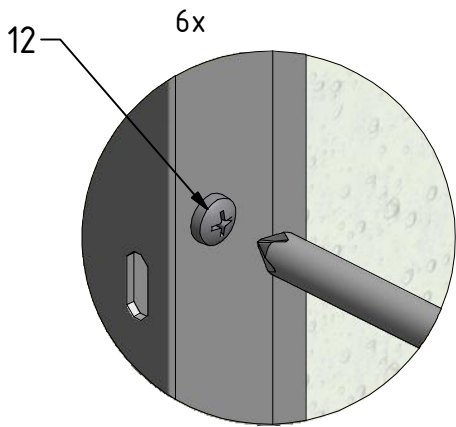


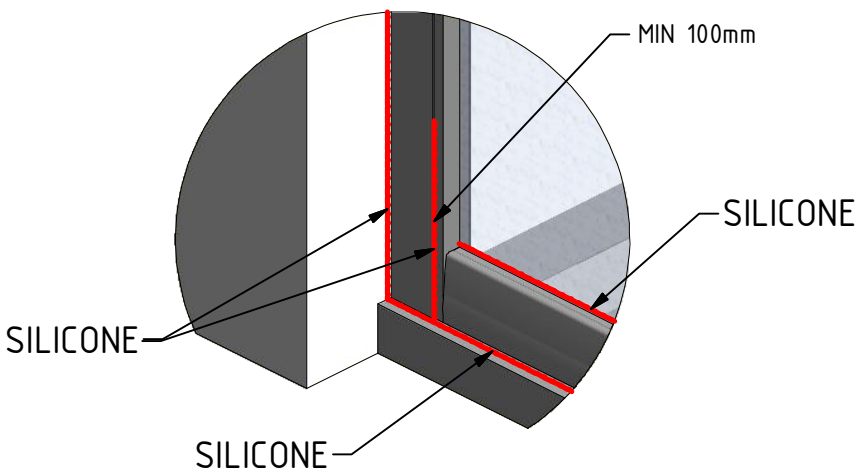
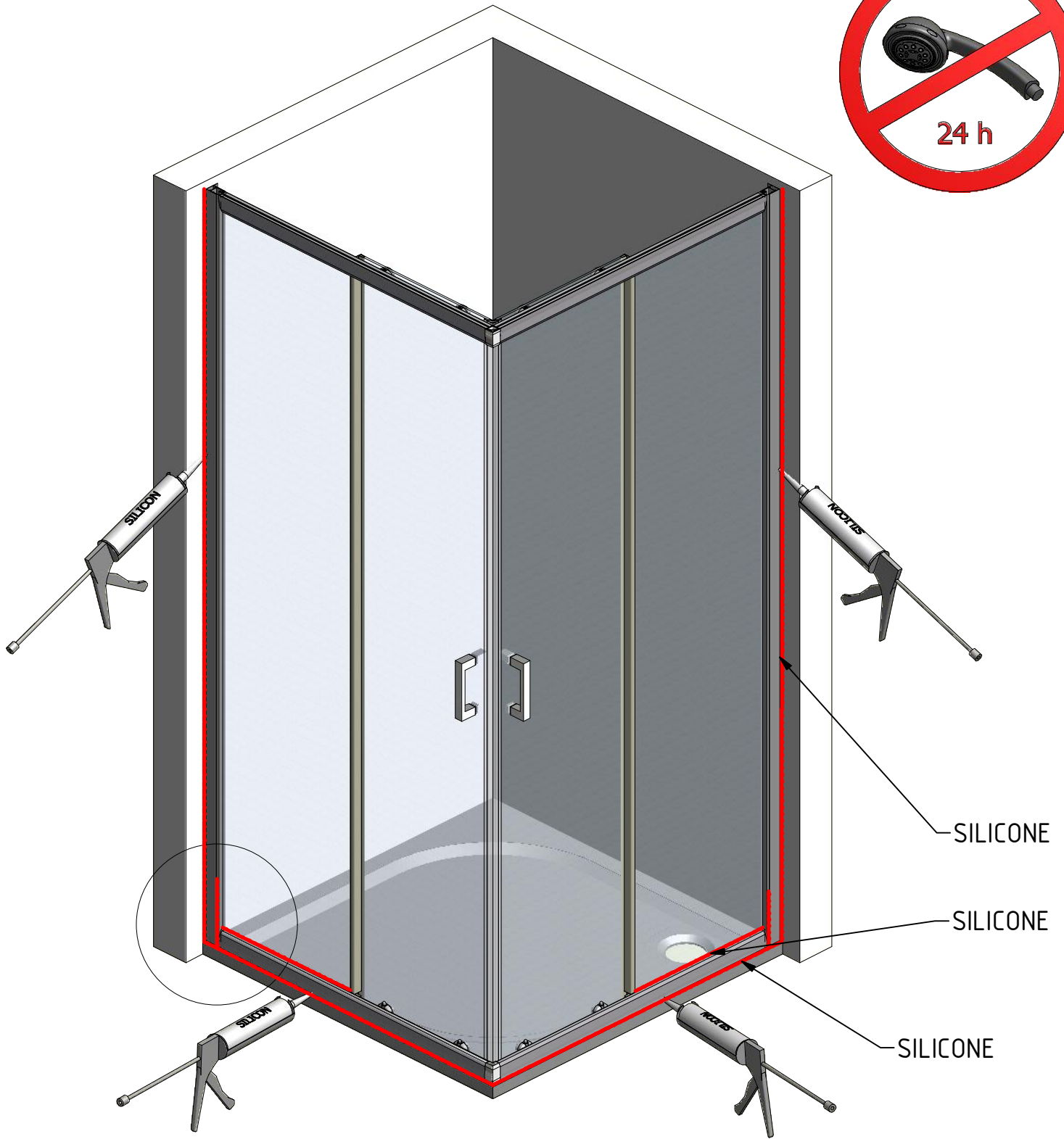
R 4x



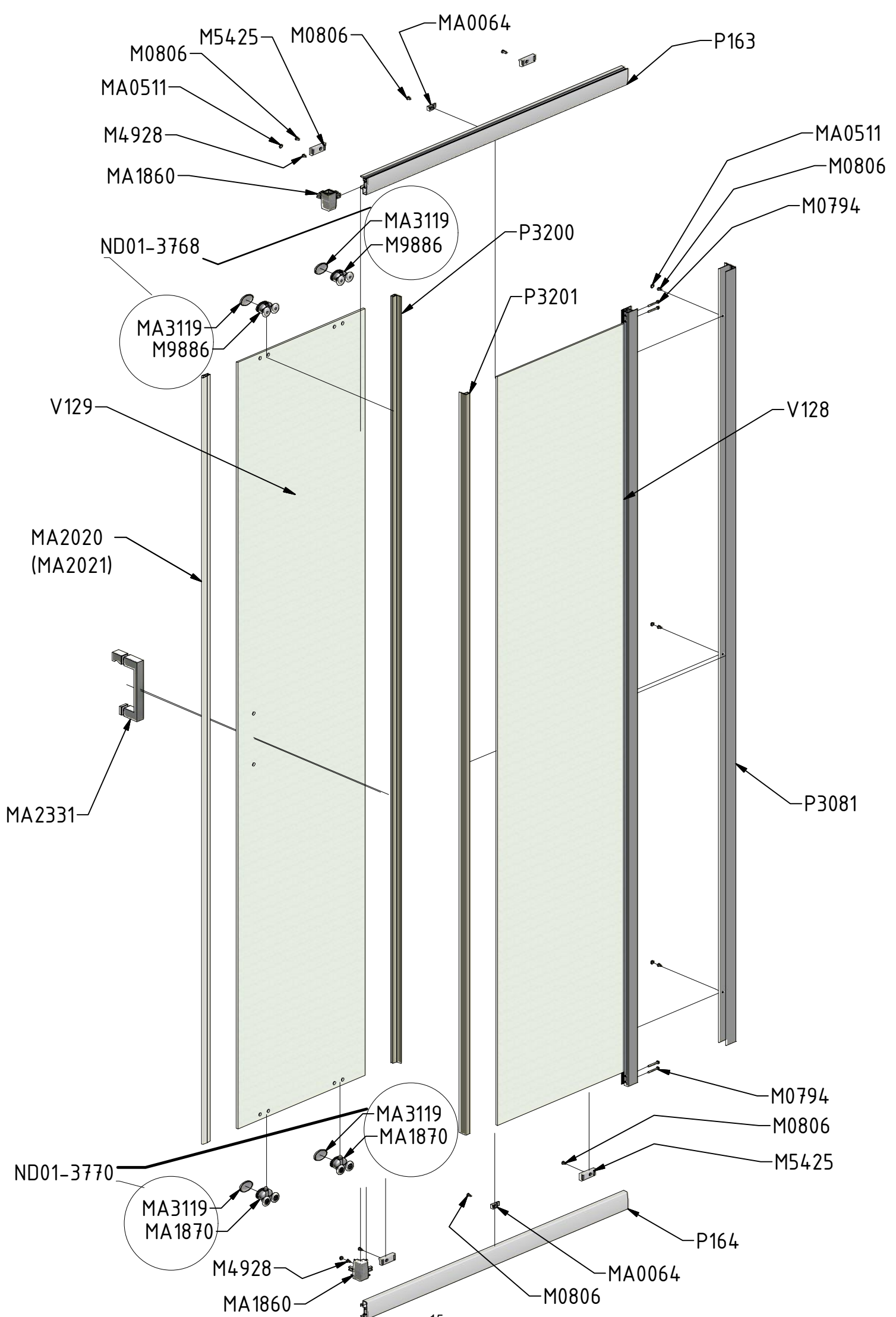


S 6x





T



V128	800	brillant+clear glass	ND03-0524-00-02
		brillant+intima	ND03-0524-00-21
	900	brillant+clear glass	ND03-0525-00-02
		brillant+intima	ND03-0525-00-21

V129	800	clear glass	ND02-0659-02
		intima	ND02-0659-21
	900	clear glass	ND02-0659-02
		intima	ND02-0659-21

P163	800	brillant	P3330
	900		P3278

P164	800	brillant	P3331
	900		P3279