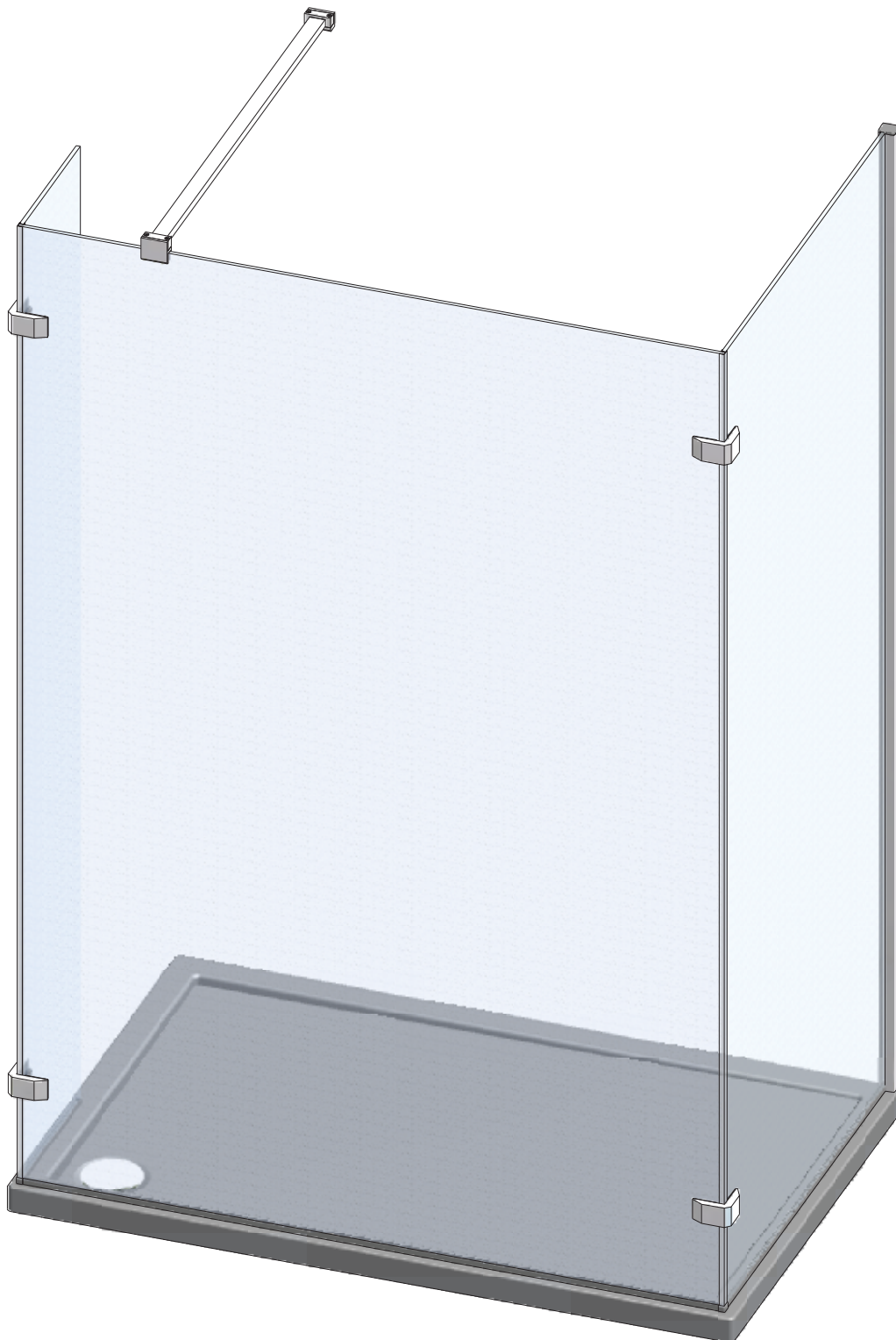
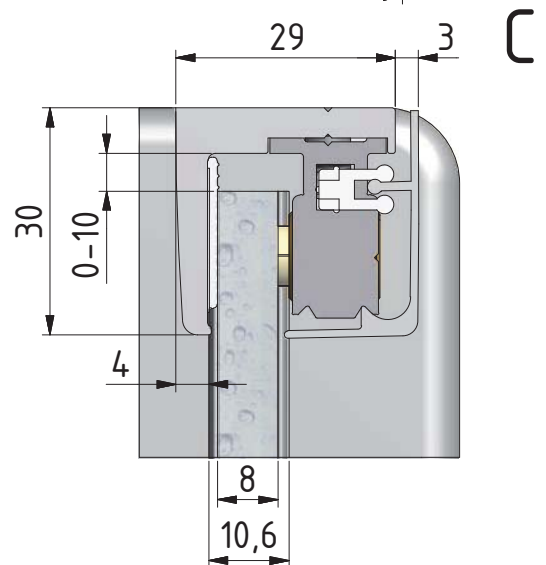
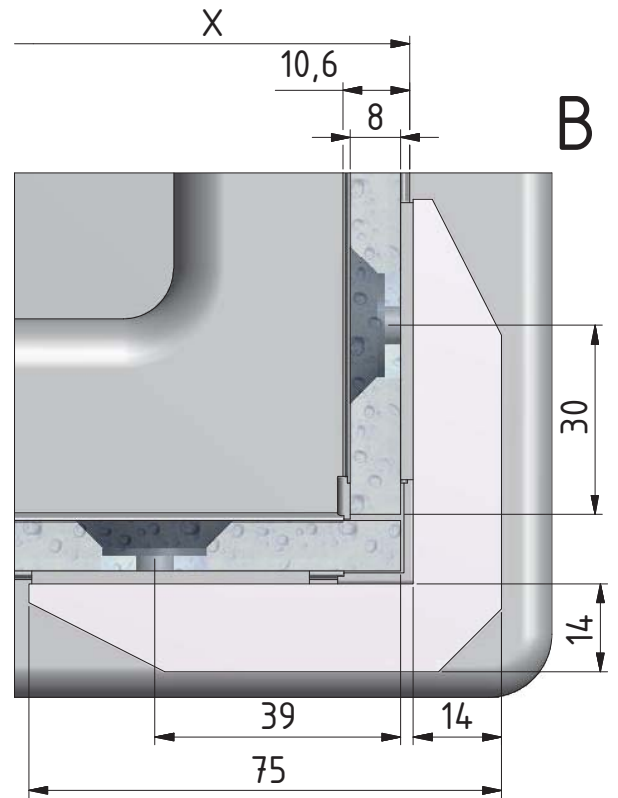
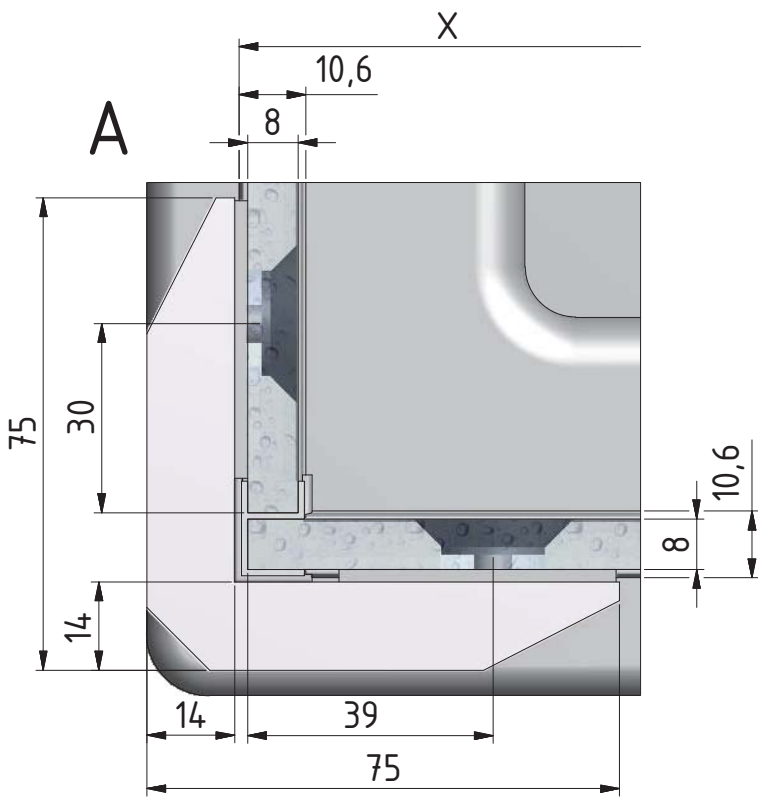
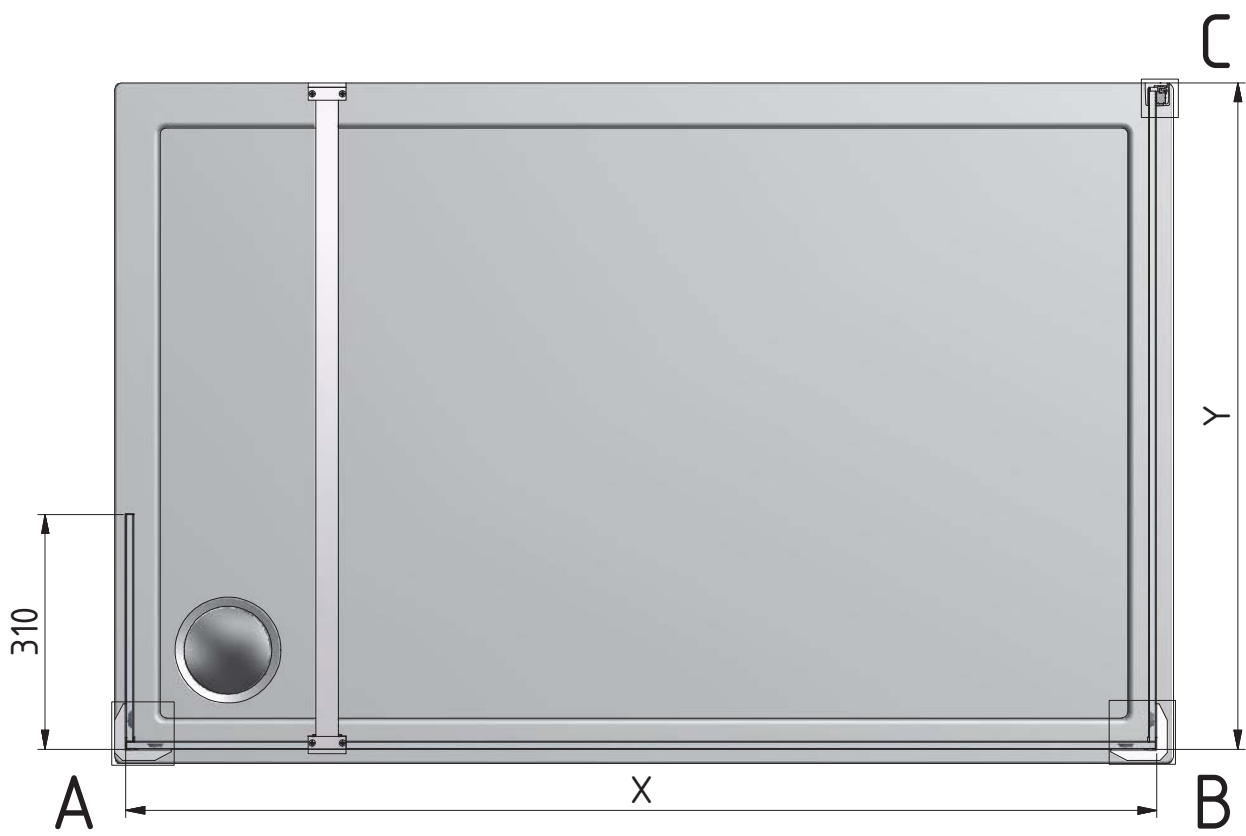


# WALK B





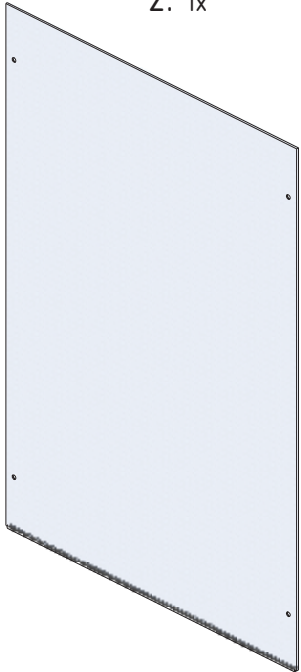


|      | X mm | Y mm    |
|------|------|---------|
| 800  | -    | 777-787 |
| 900  | -    | 877-887 |
| 1000 | 963  | 977-987 |
| 1200 | 1163 | -       |
| 1400 | 1363 | -       |
| 1500 | 1463 | -       |

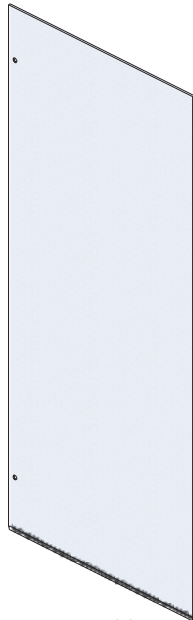
1. 1x



2. 1x



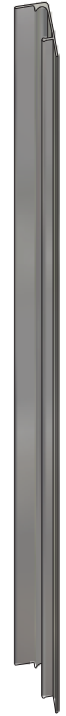
3. 1x



4. 1x



5. 1x  
P2665



6. 2x  
M9750



7. 4x  
M0511



8. 4x  
M0811



9. 4x  
M5974



10. 4x  
M5975



11. 4x  
M8924



12. 1x  
M9098



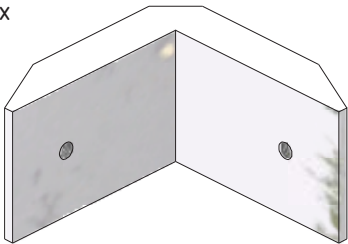
13. 1x  
M9099



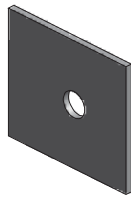
14. 2x  
M9097



15. 4x  
M9386



16. 8x  
M9339



17. 8x  
M9176



18. 8x  
M9418



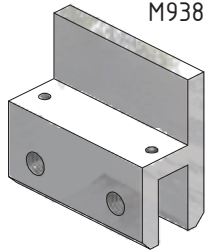
19. 8x  
M9177



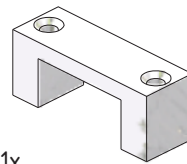
20. 8x  
M8295



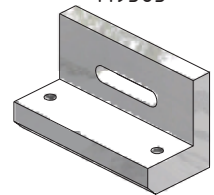
22. 1x  
M9383



23. 2x  
M9384



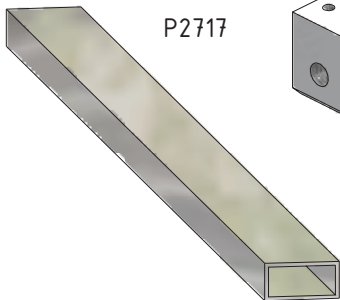
24. 1x  
M9385



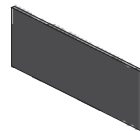
32. 2x  
MA0618



21. 1x  
P2717



25. 1x  
M9468



26. 4x  
M9292



27. 2x  
MA3667



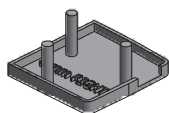
33. 2x  
MA1343



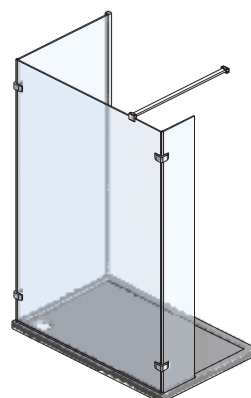
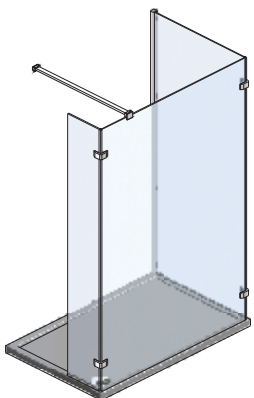
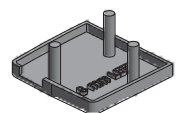
31. 2x  
MA0171



28. 1x  
M8938

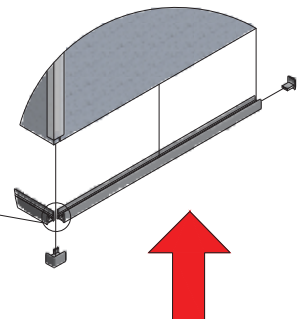
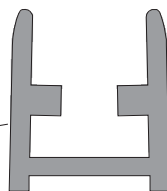
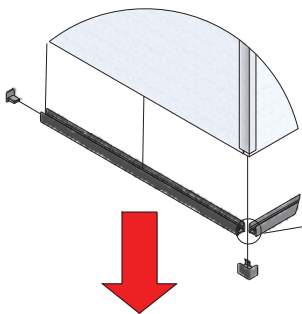
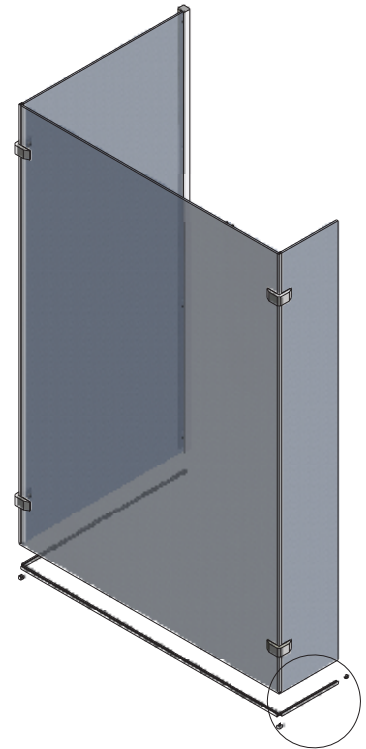
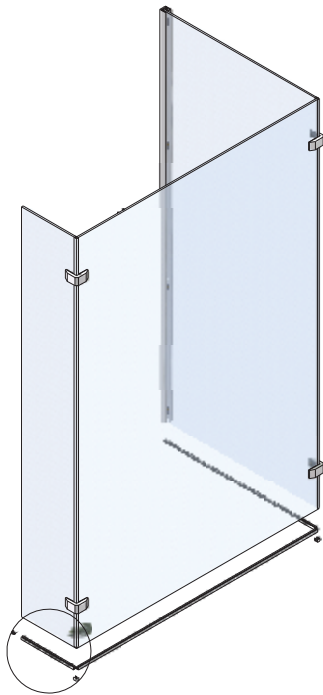
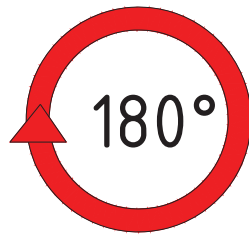
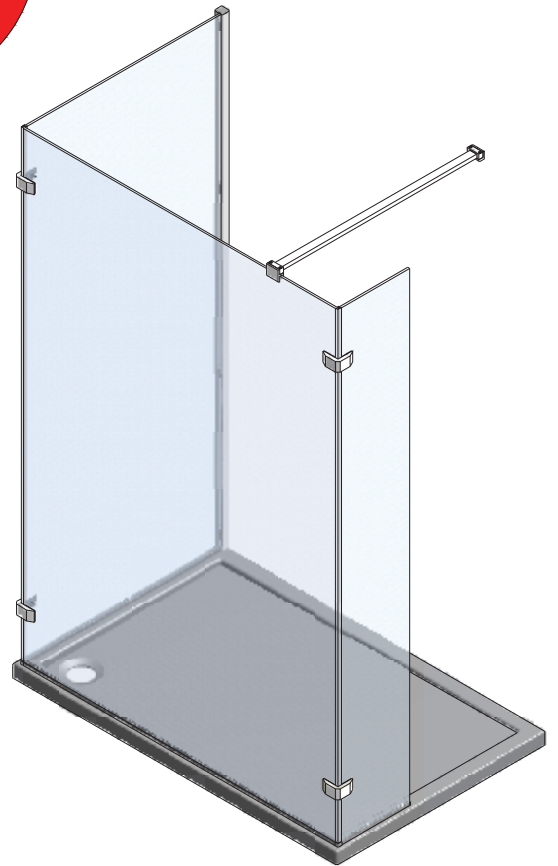
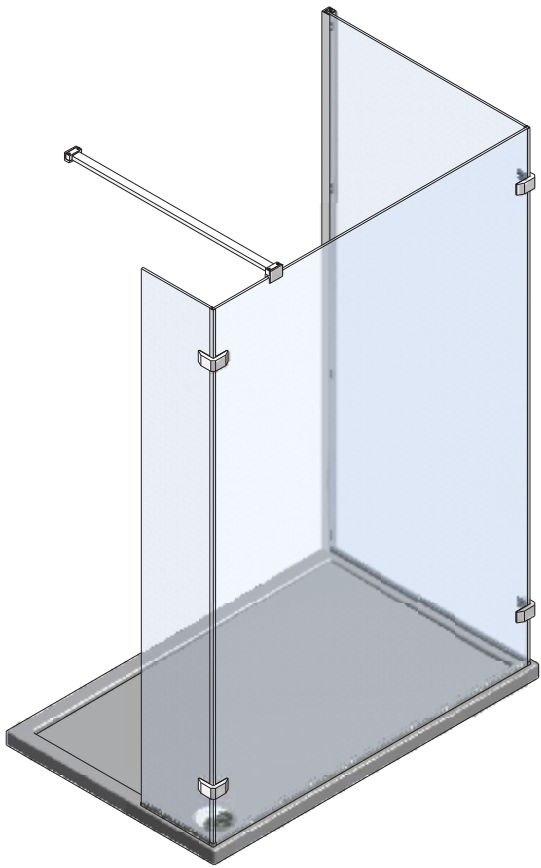
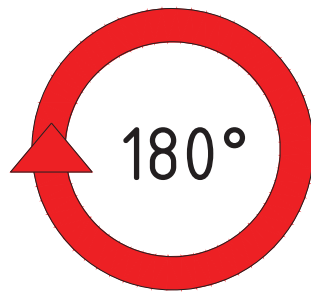


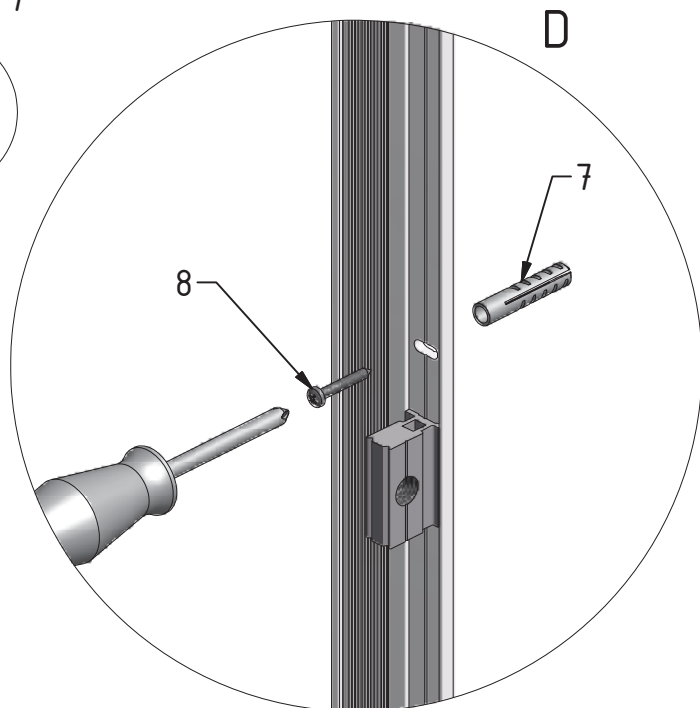
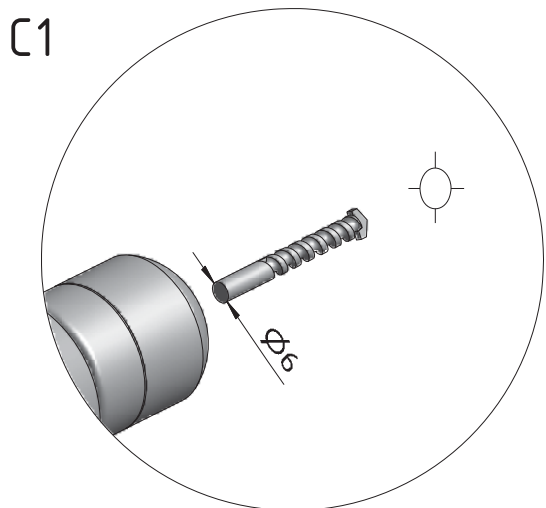
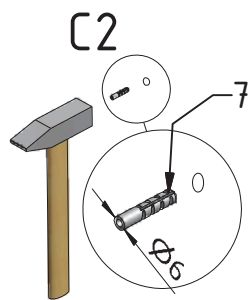
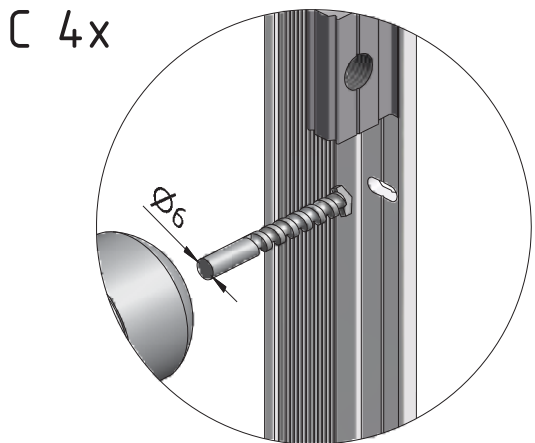
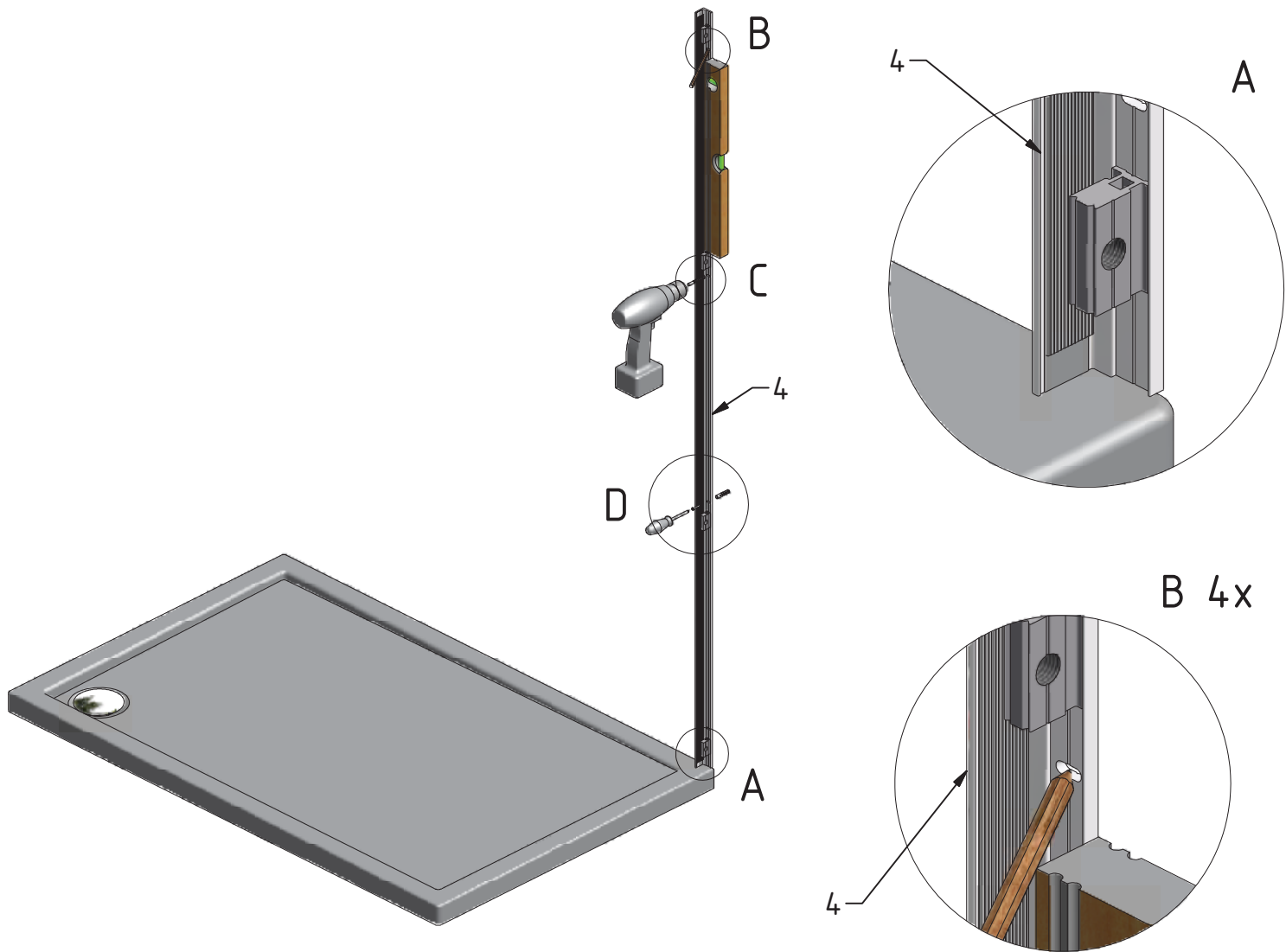
29. 1x  
M8937

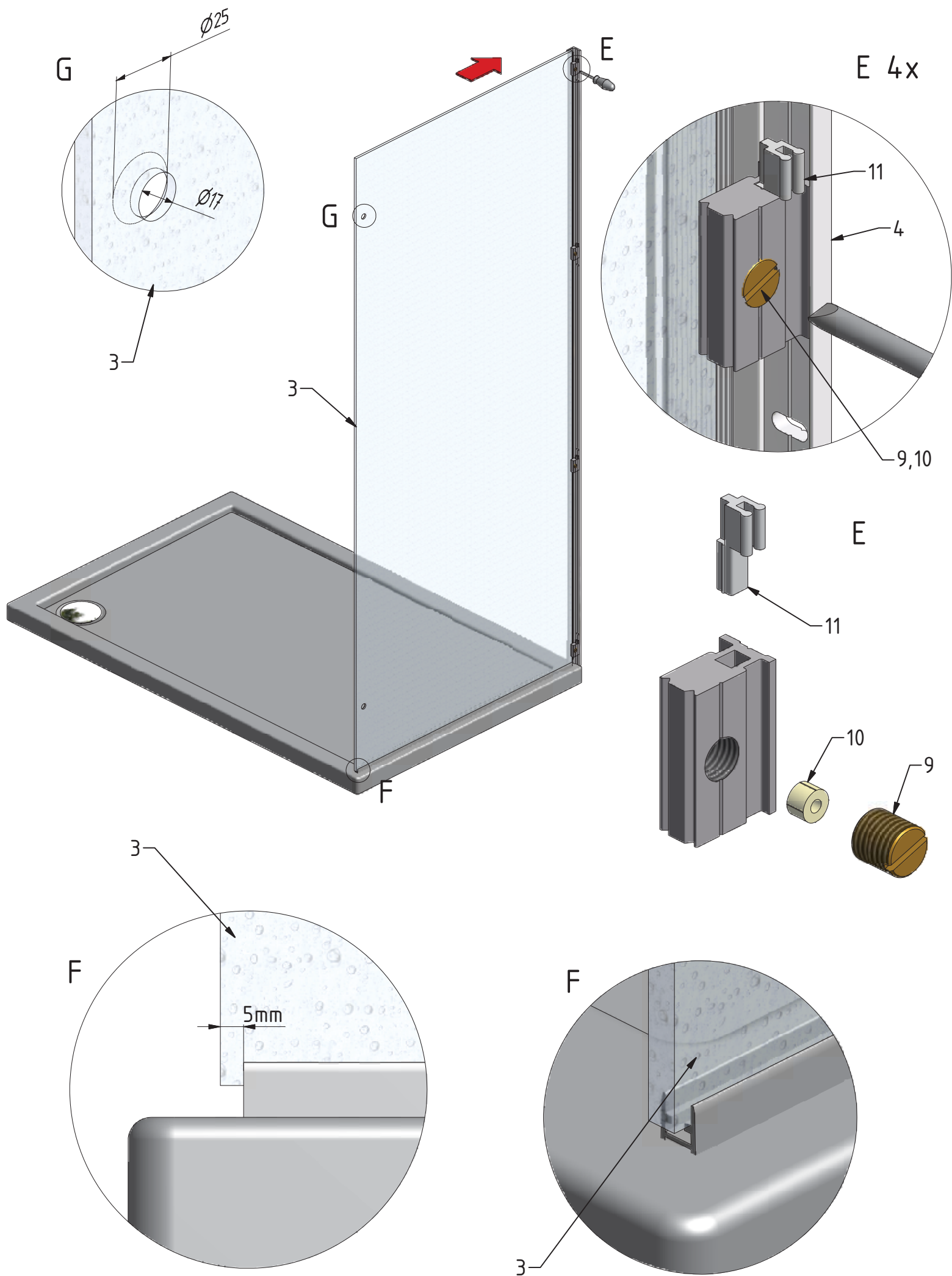


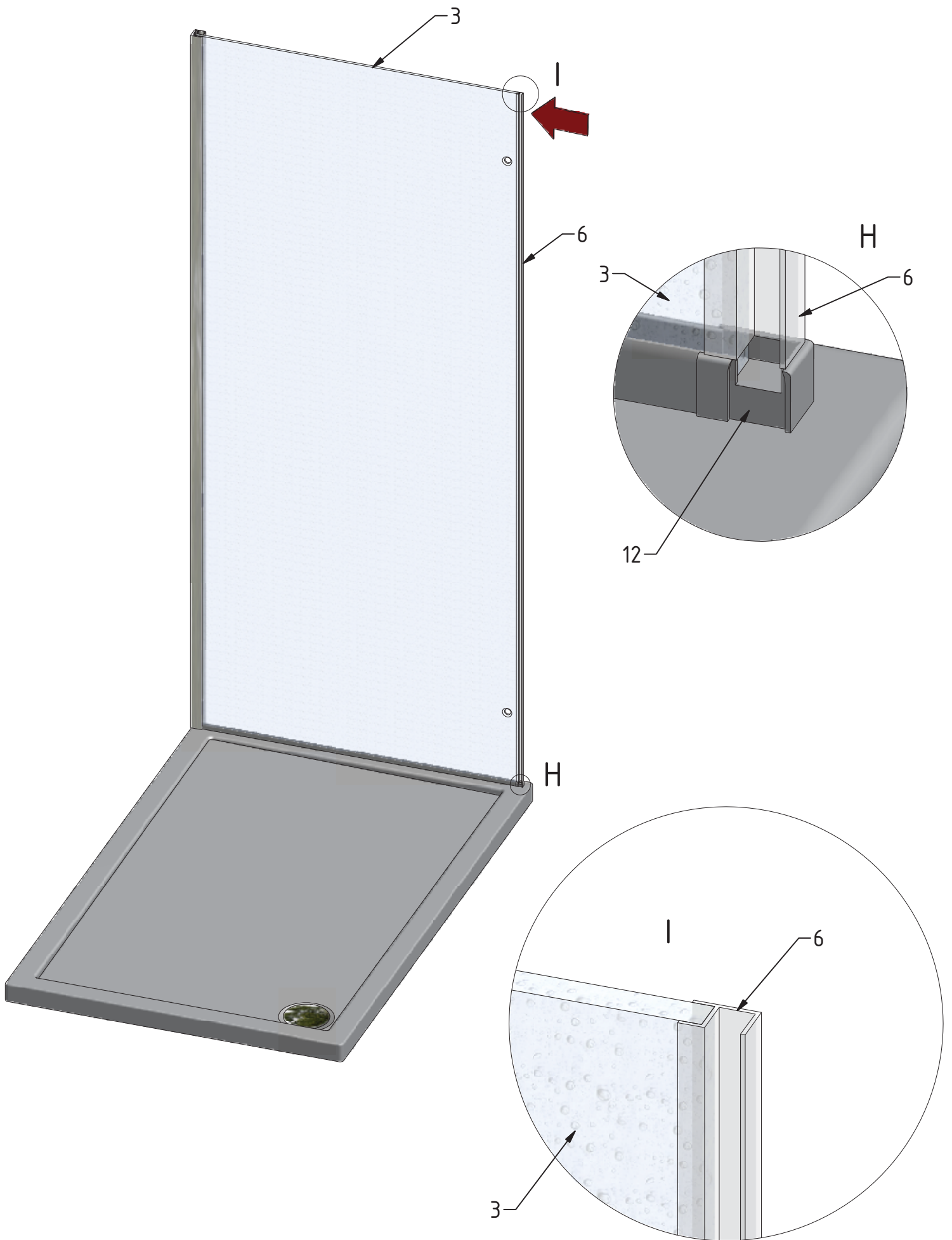
Left version

Right version

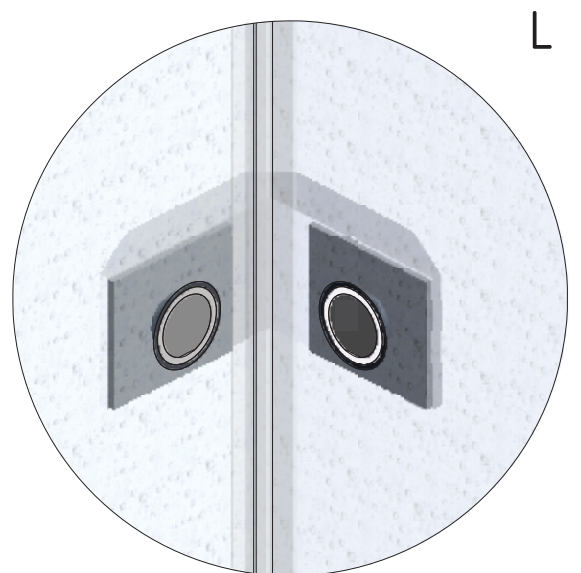
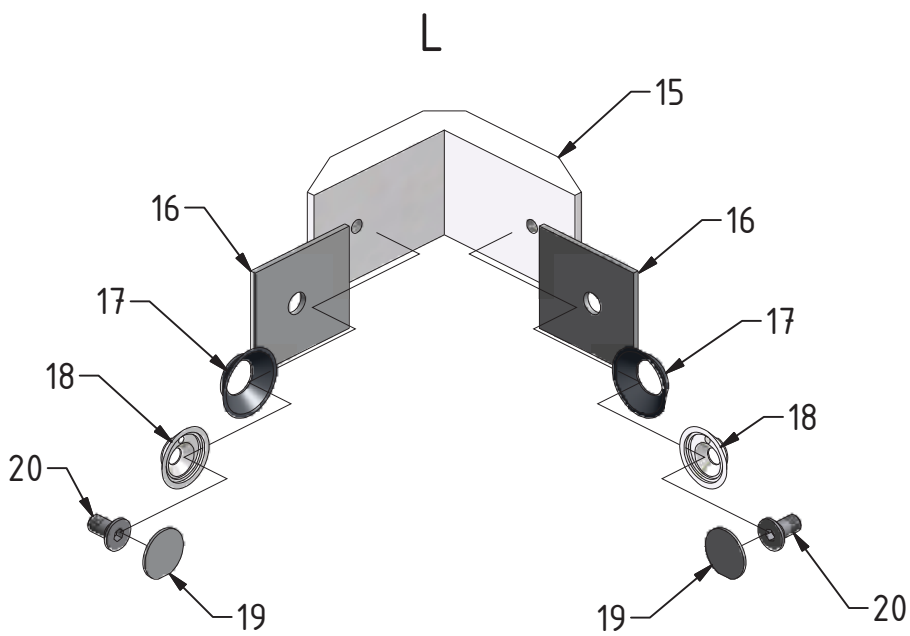
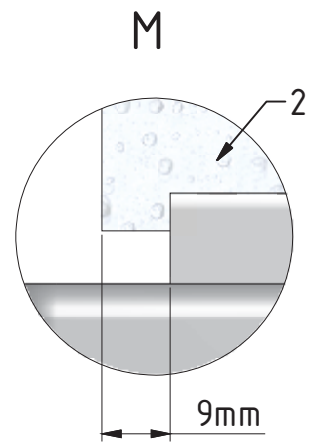
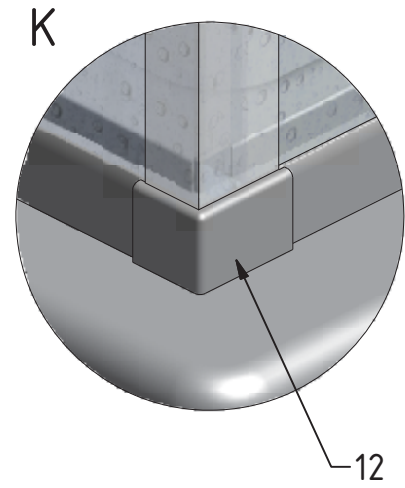
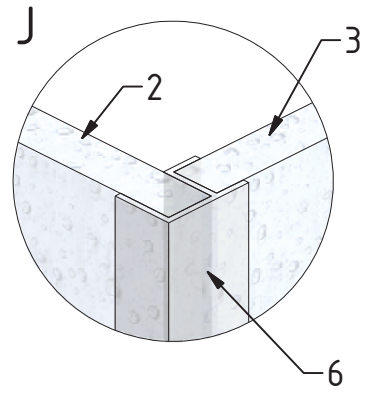
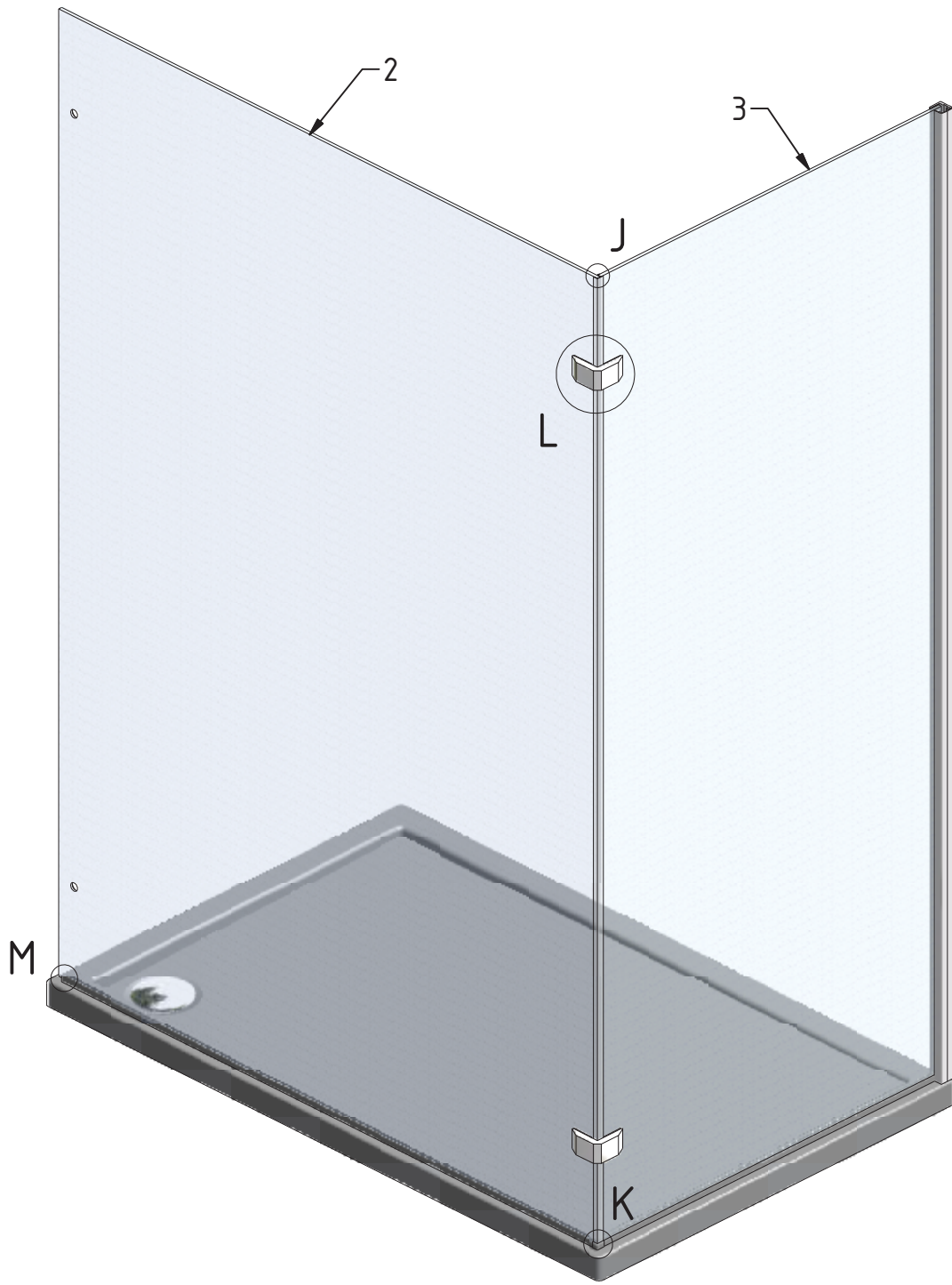


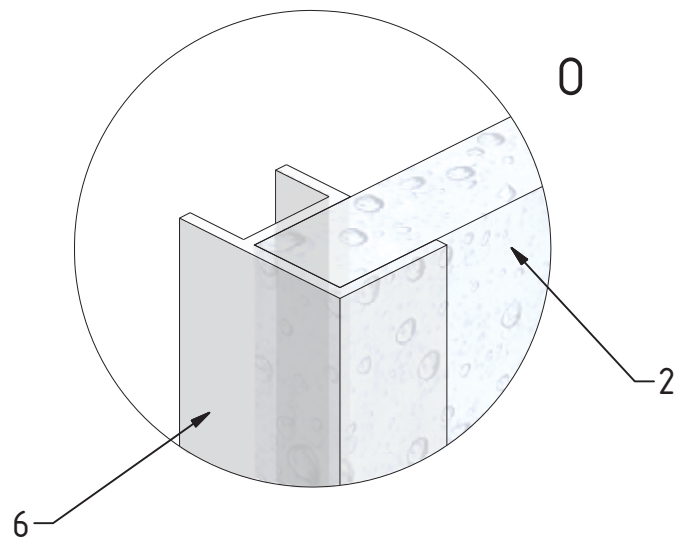
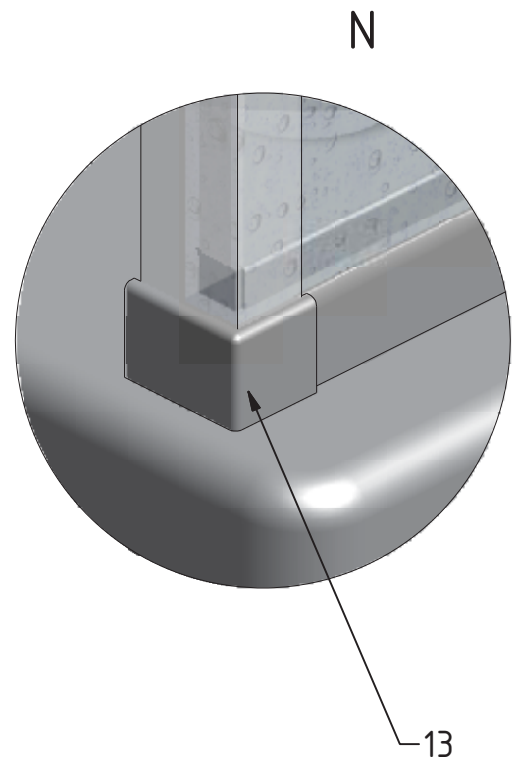
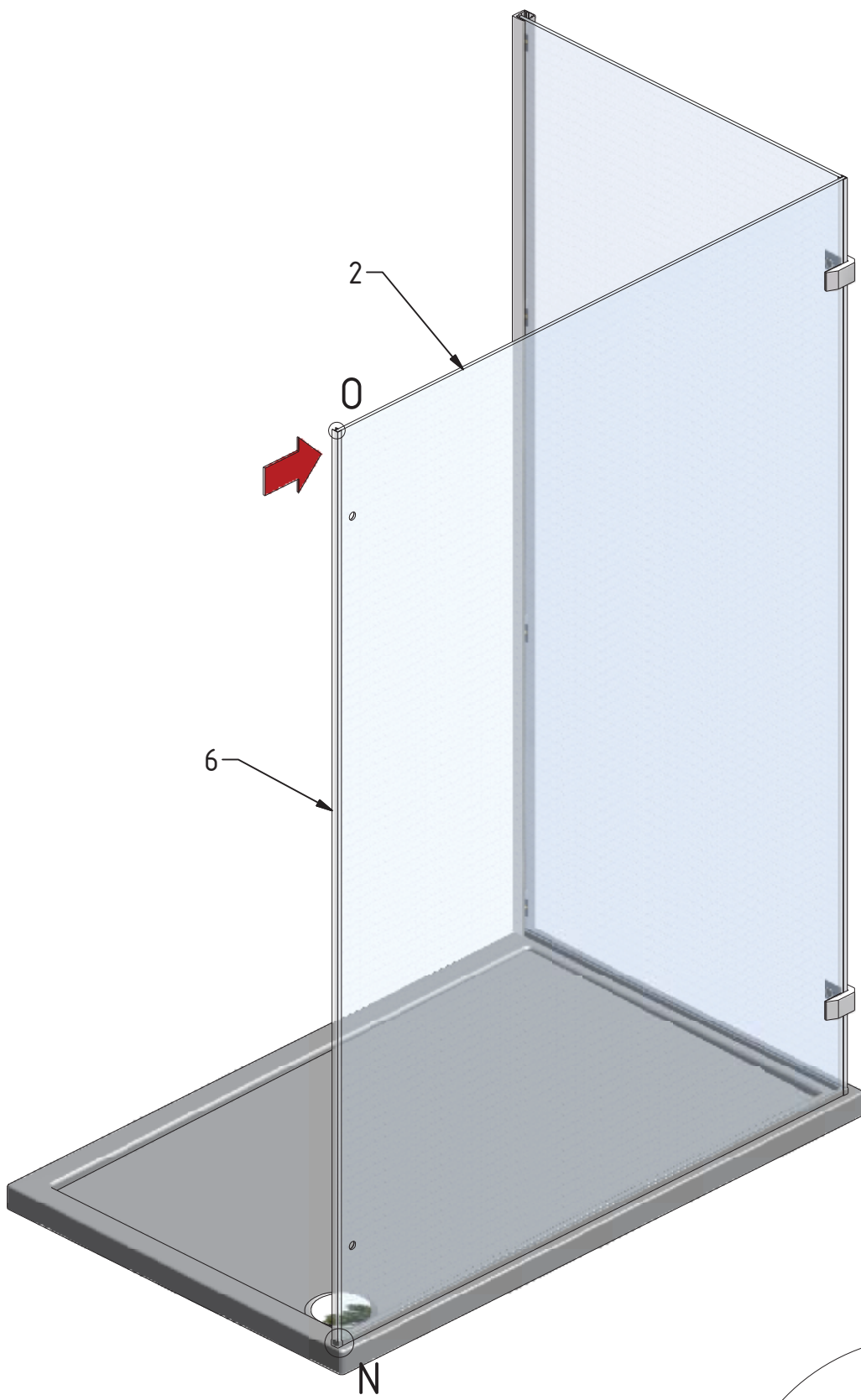


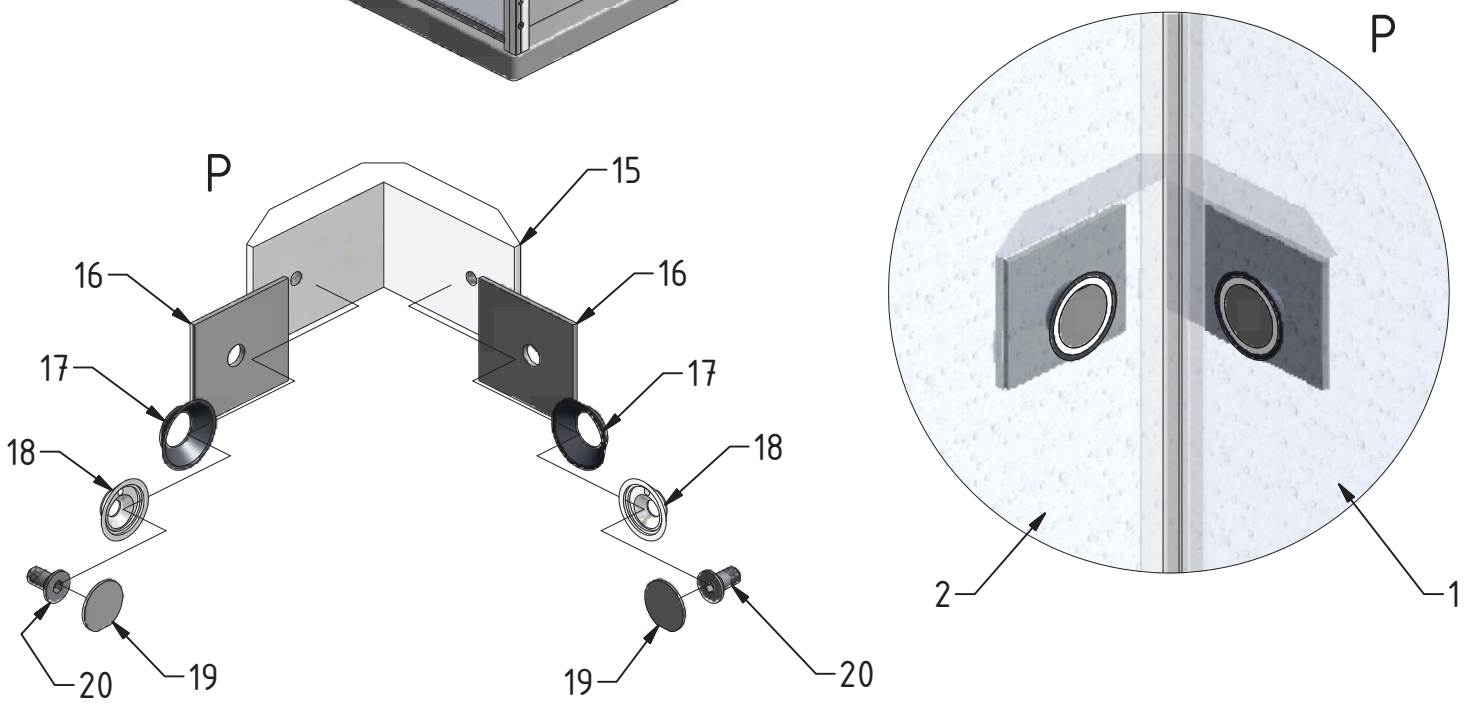
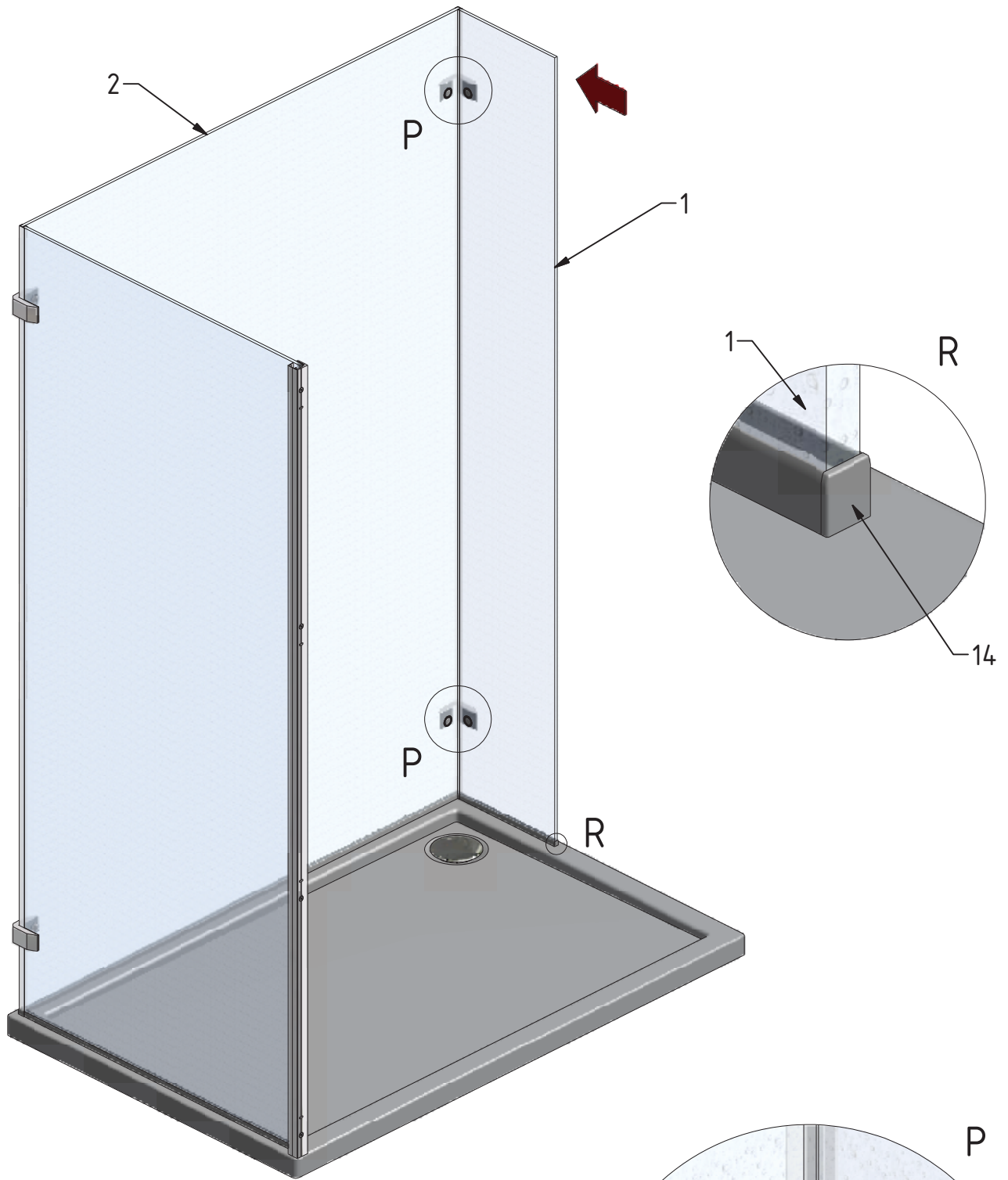


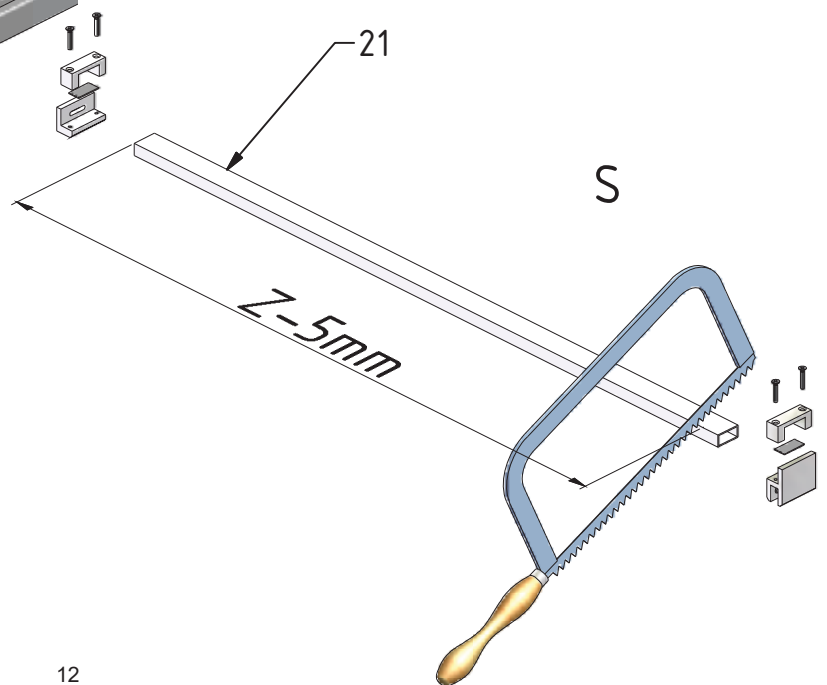
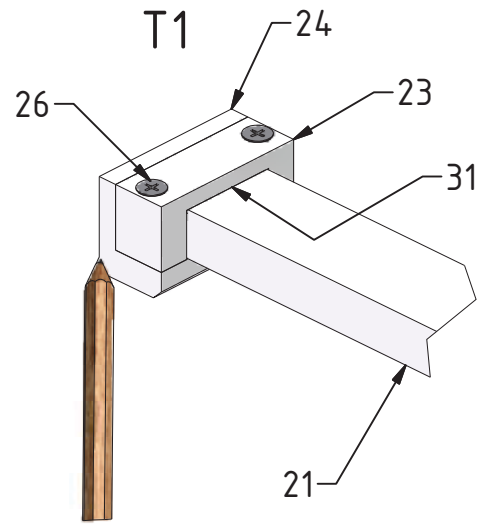
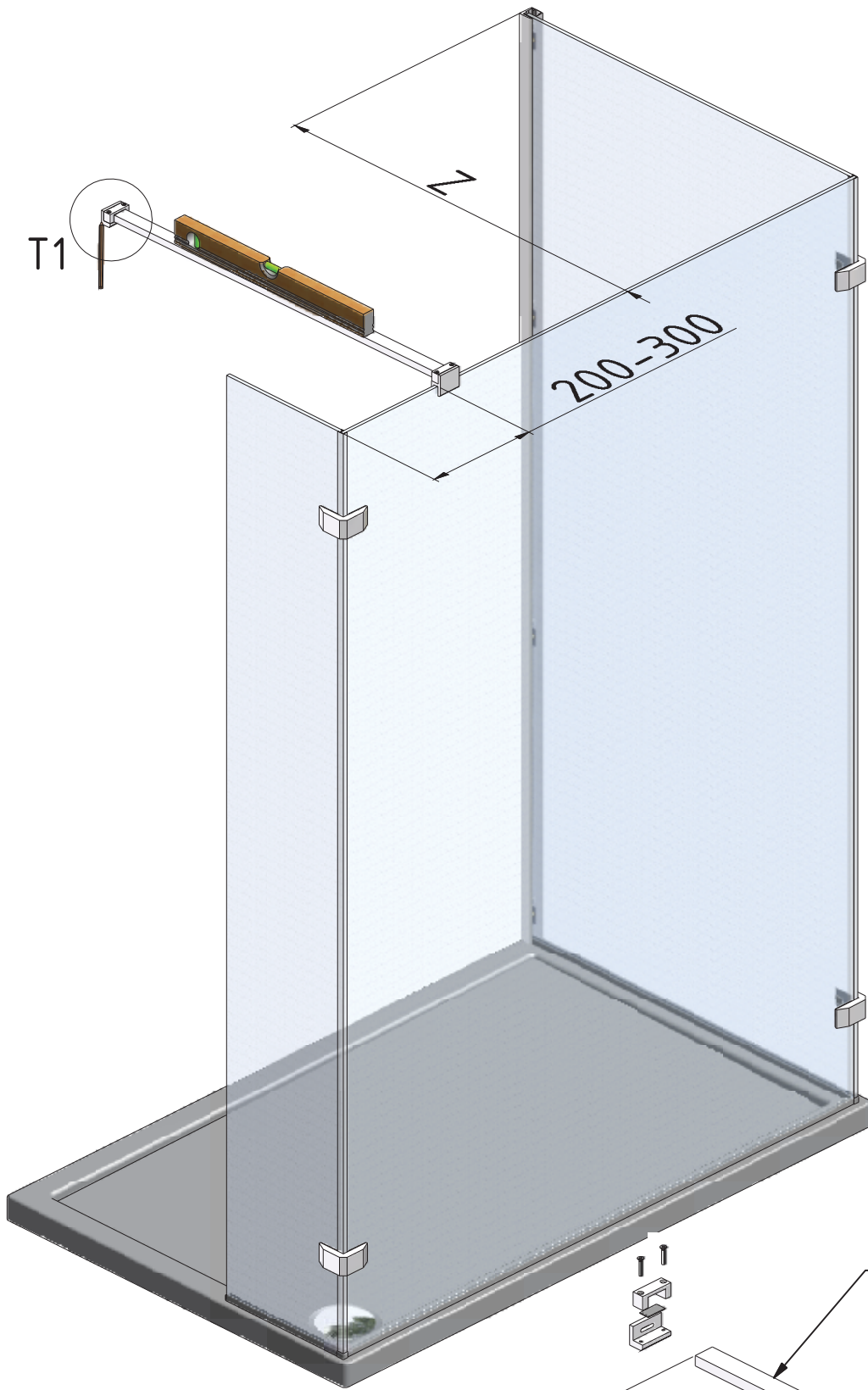




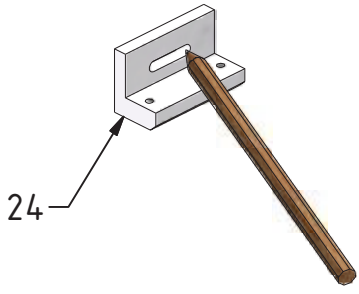




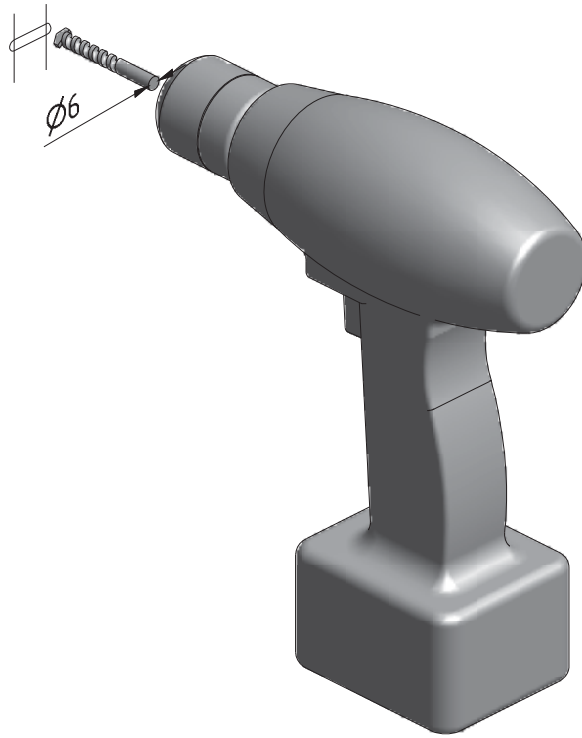




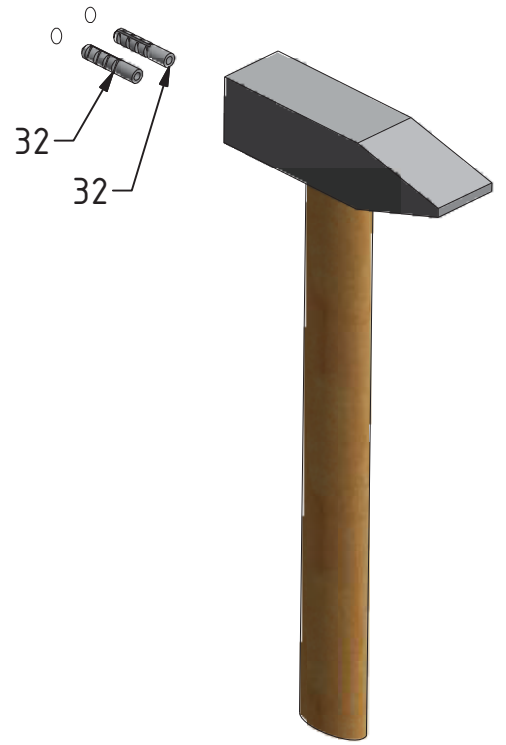
T2



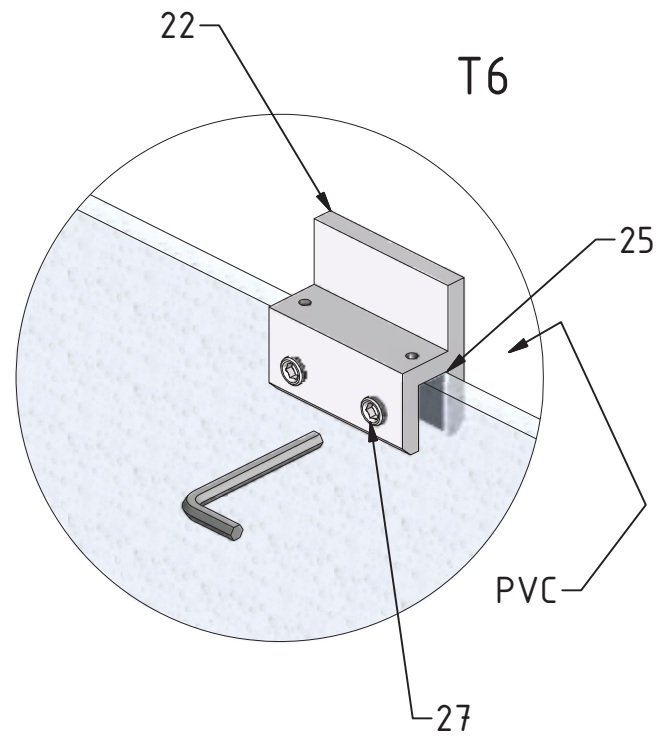
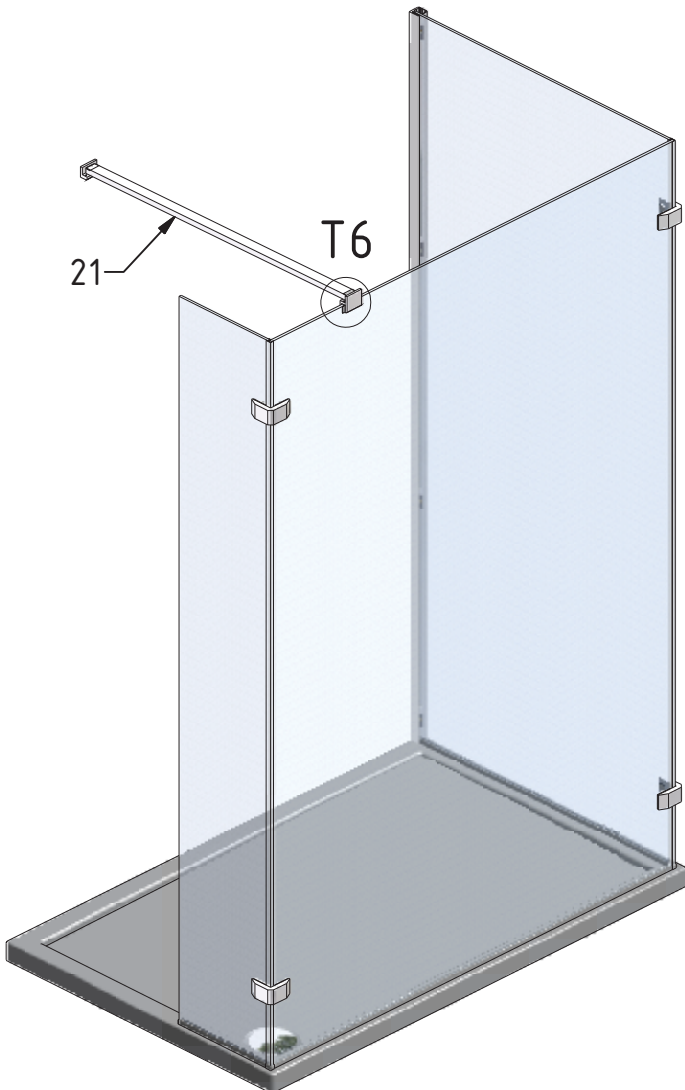
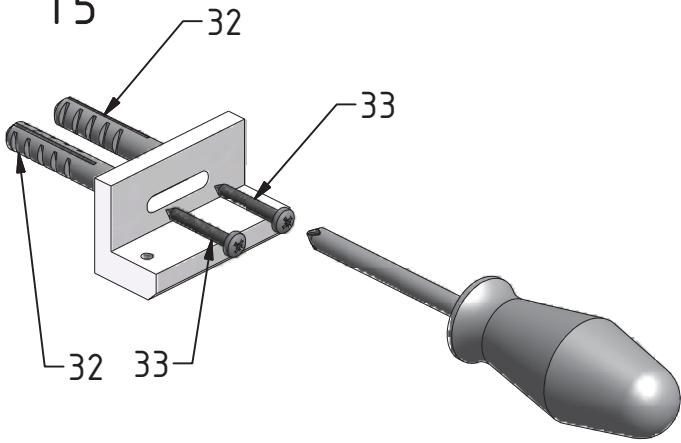
T3

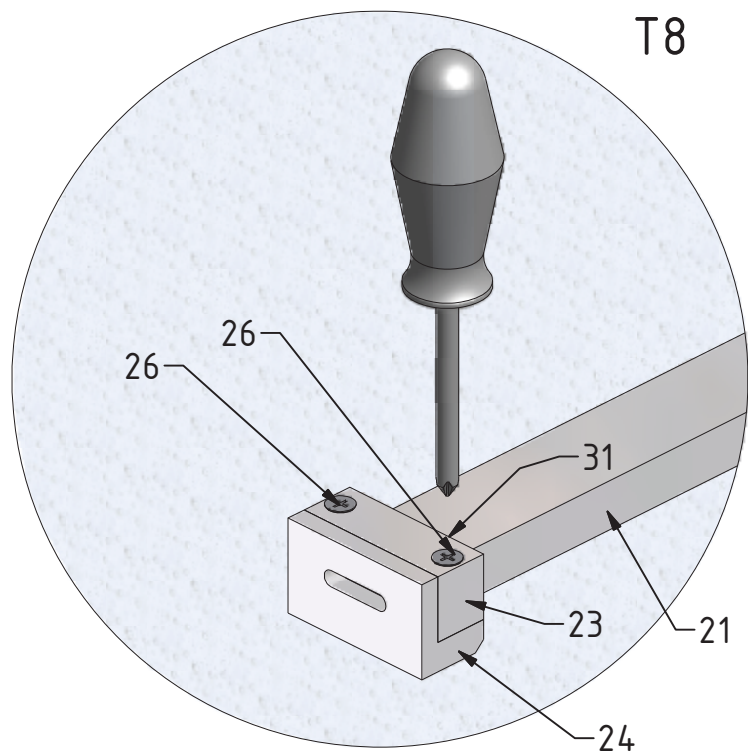
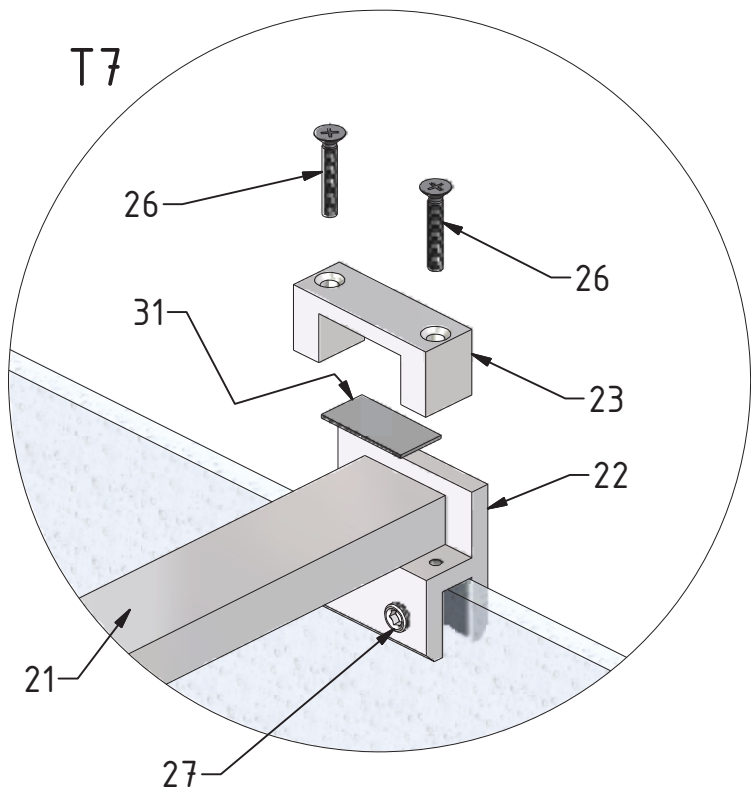
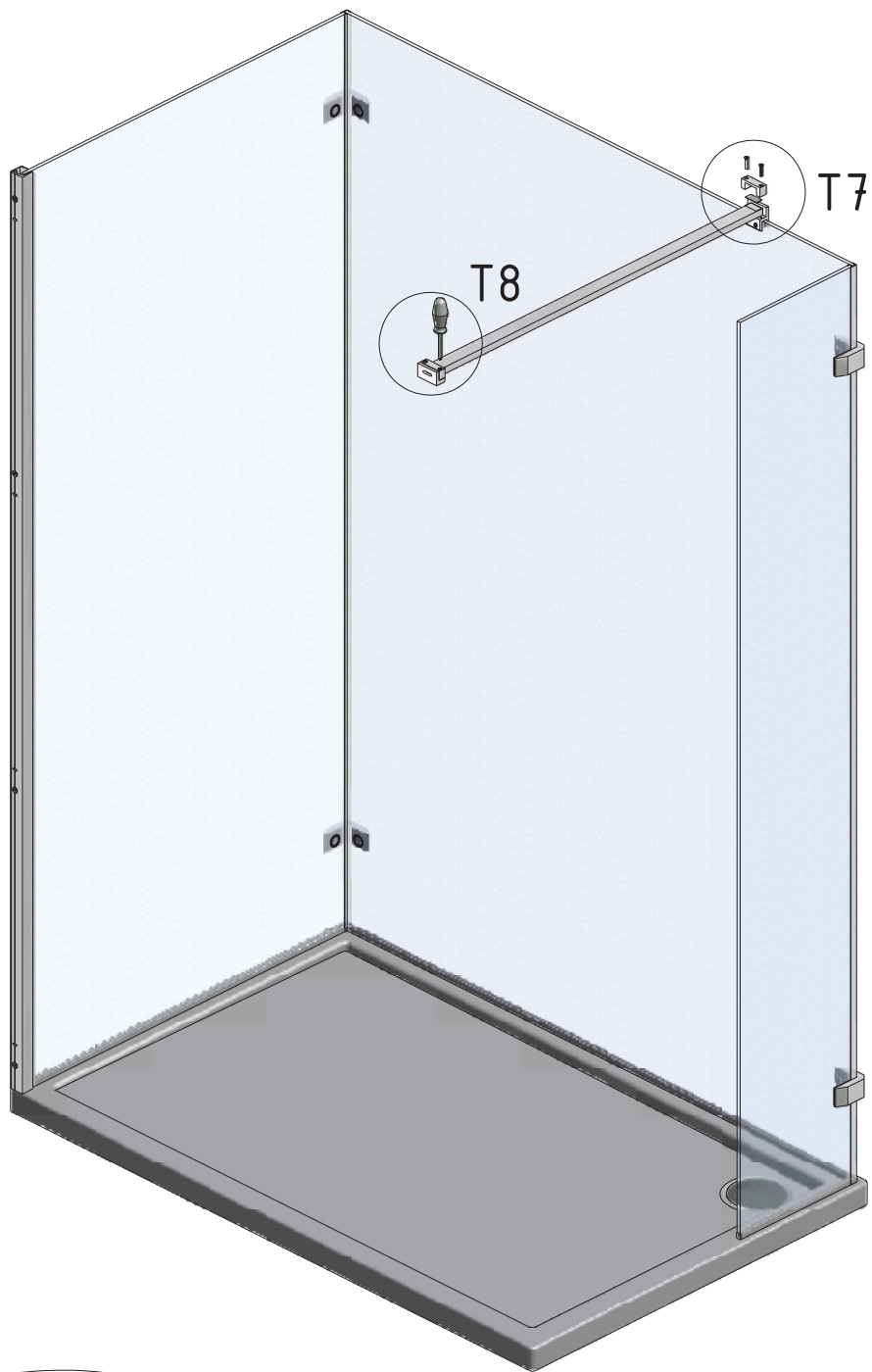


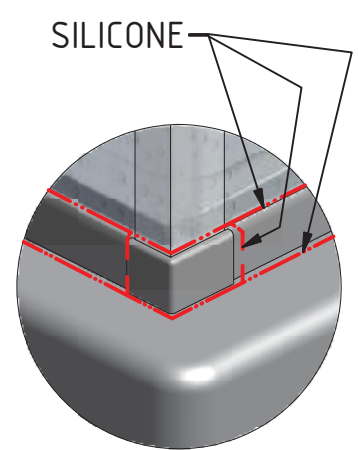
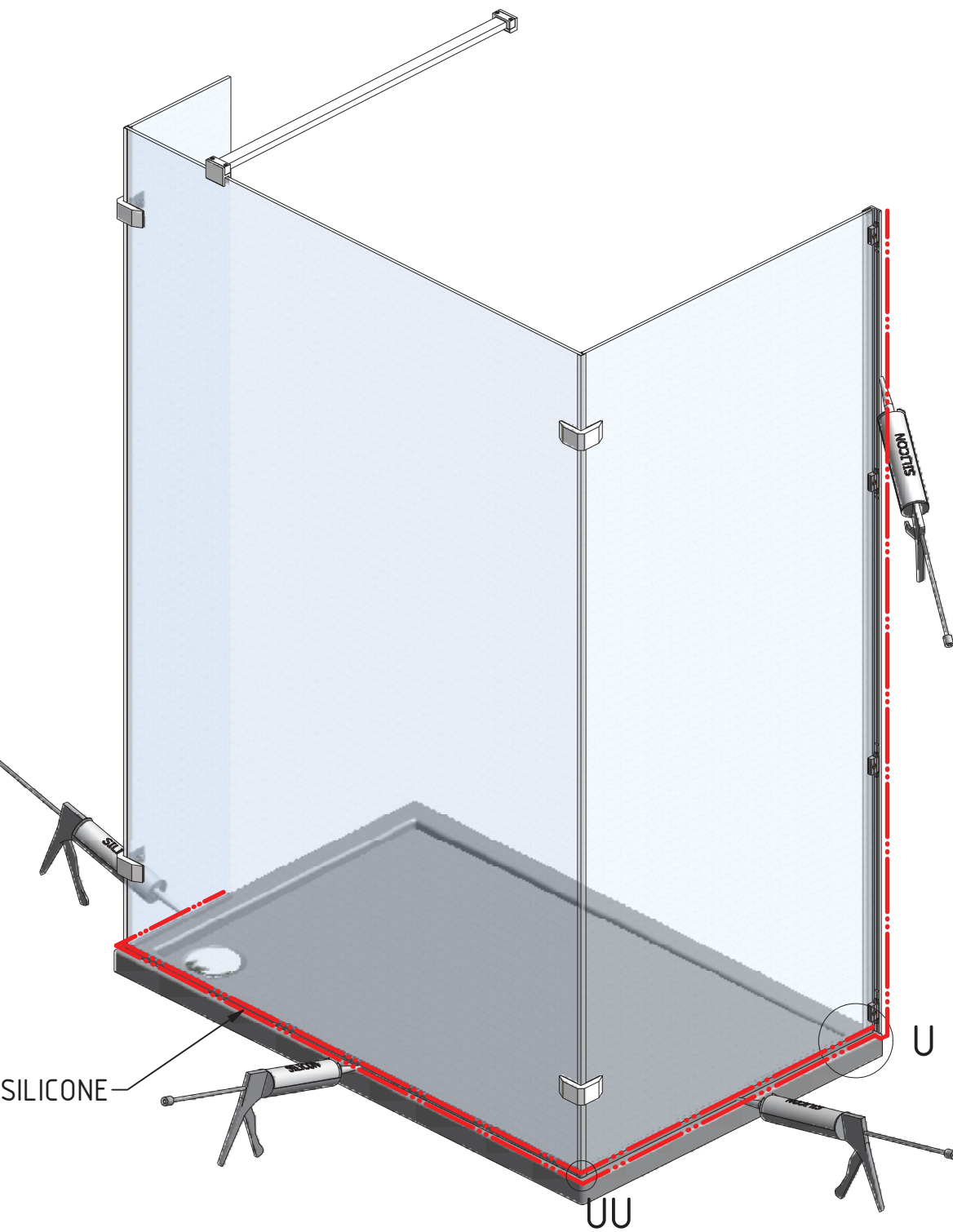
T4



T5

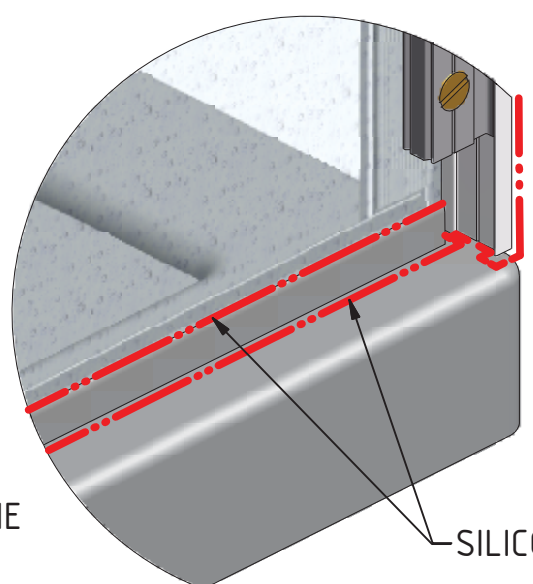
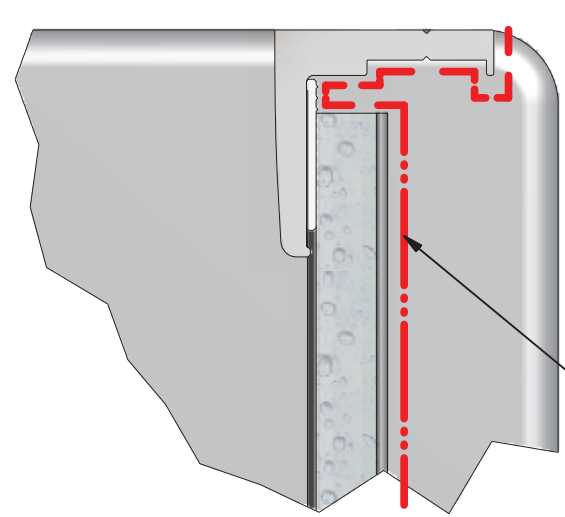


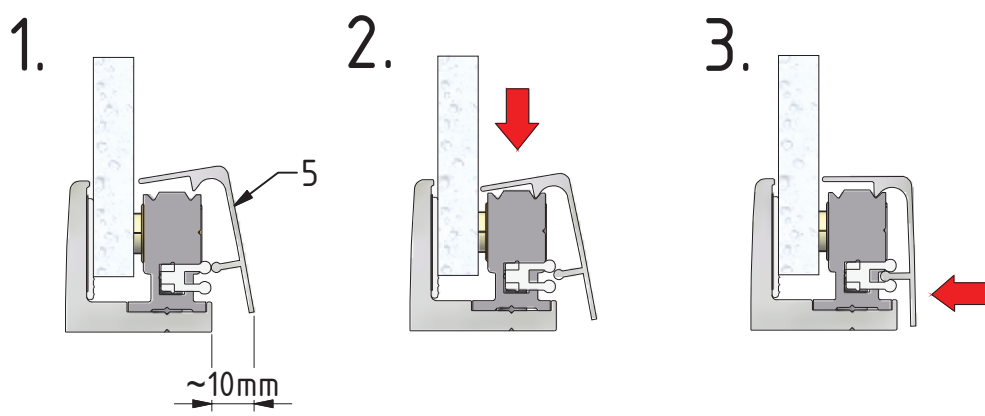
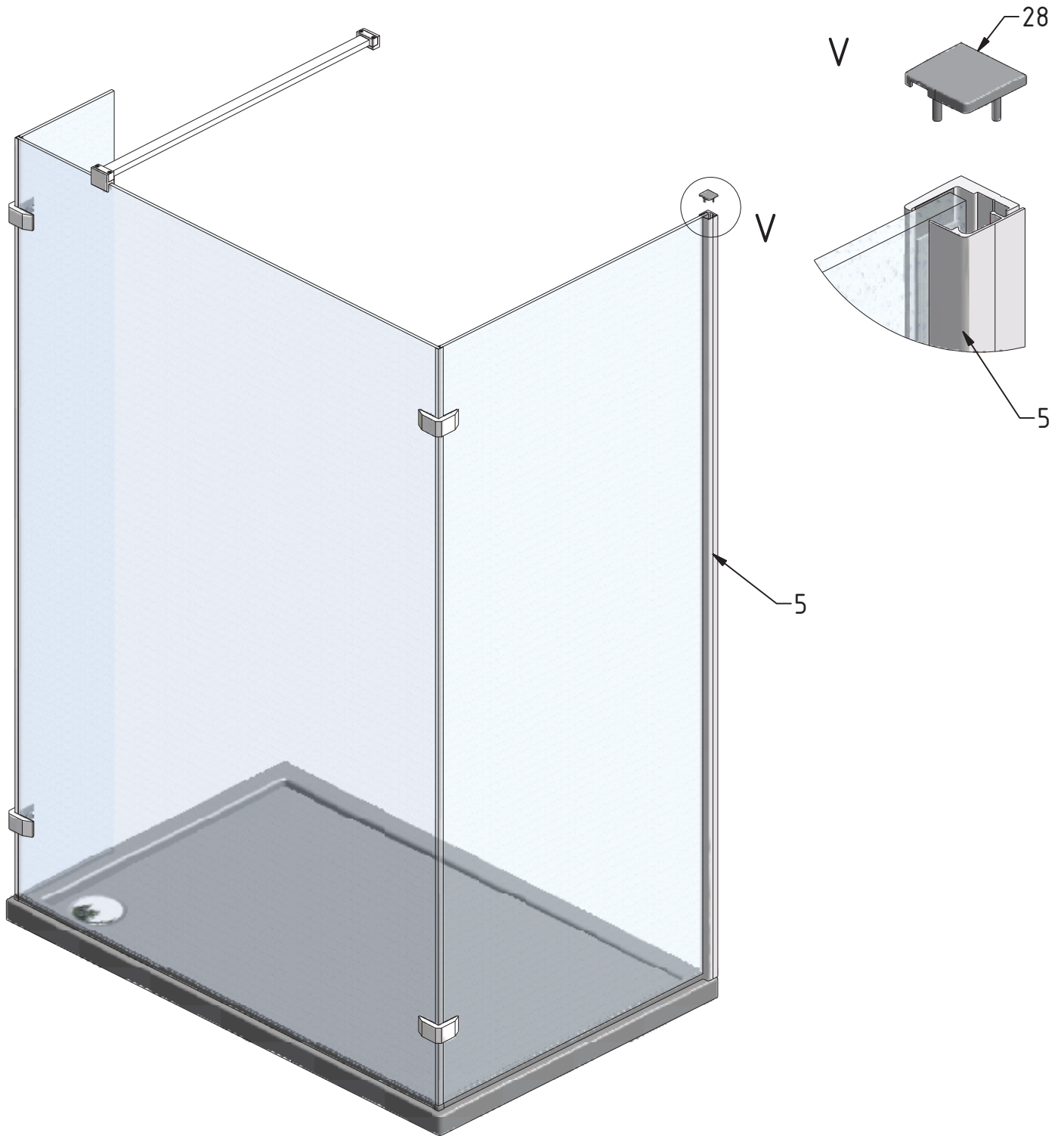




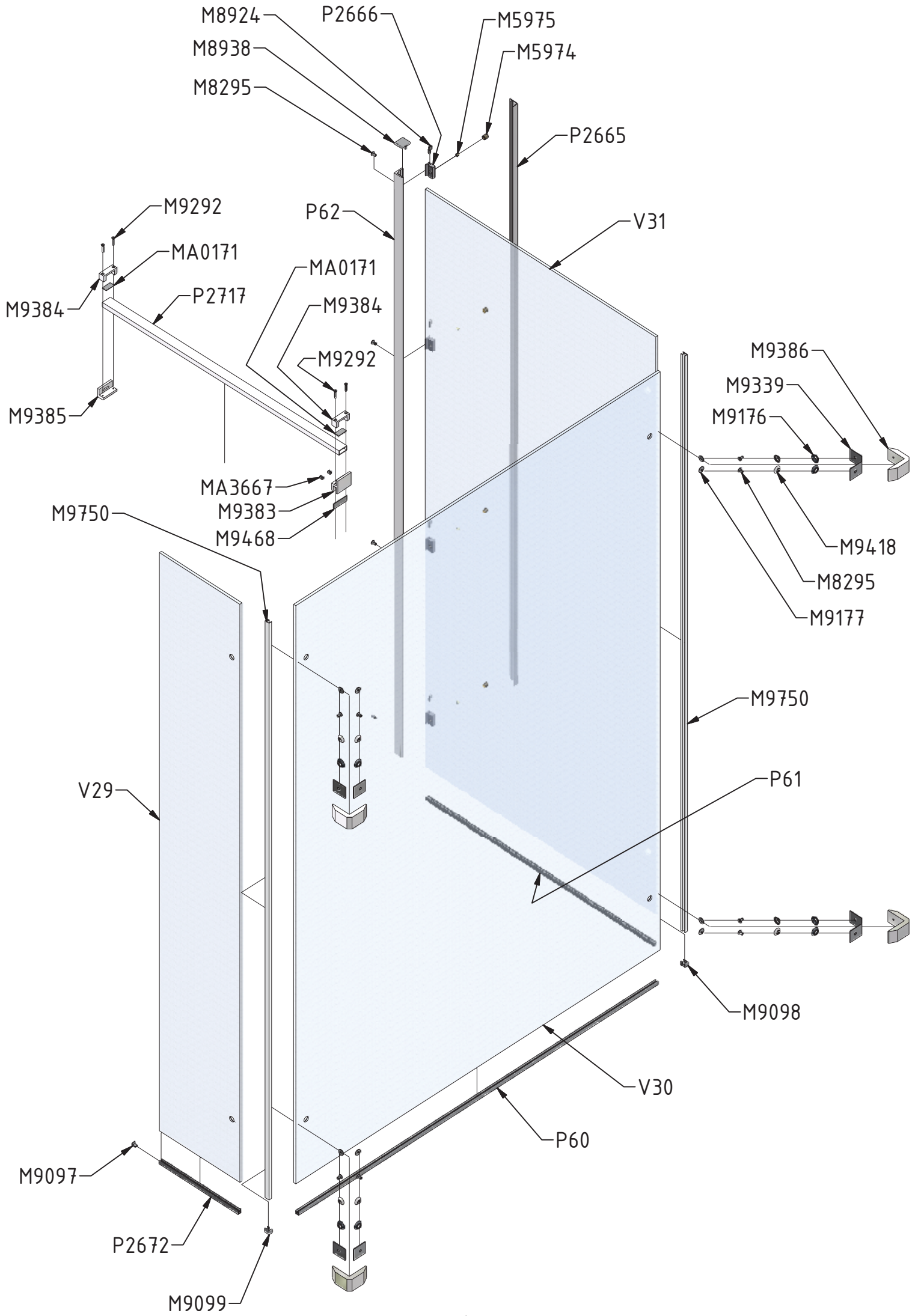
U

U









|     |      |  |              |
|-----|------|--|--------------|
| P60 | 1000 |  | P2722        |
|     | 1200 |  | P2723        |
|     | 1400 |  | P2673        |
|     | 1500 |  | P2724        |
| P61 | 800  |  | P2726        |
|     | 900  |  | P2727        |
|     | 1000 |  | P2728        |
| P62 |      |  | ND01-2361-00 |

|      |             |                 |                 |
|------|-------------|-----------------|-----------------|
| V29  |             | clear glass     | ND03-0362-00-02 |
| V30  | 1000        | clear glass     | ND03-0363-00-02 |
|      |             |                 |                 |
|      | 1200        | clear glass     | ND03-0364-00-02 |
|      |             |                 |                 |
|      | 1400        | clear glass     | ND03-0365-00-02 |
|      |             |                 |                 |
| 1500 | clear glass | ND03-0366-00-02 |                 |
|      |             |                 |                 |
| V31  | 800         | clear glass     | ND03-0367-00-02 |
|      |             |                 |                 |
|      | 900         | clear glass     | ND03-0368-00-02 |
|      |             |                 |                 |
| 1000 | clear glass | ND03-0369-00-02 |                 |
|      |             |                 |                 |



