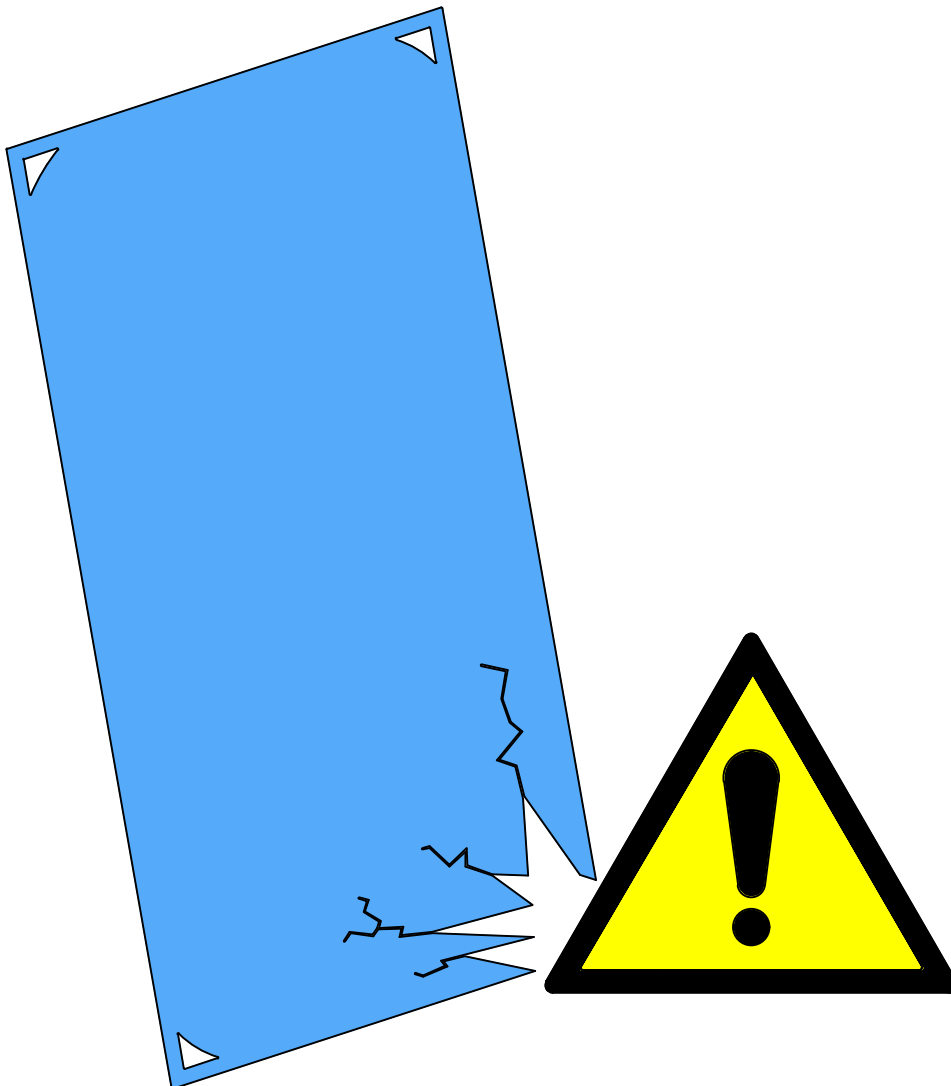
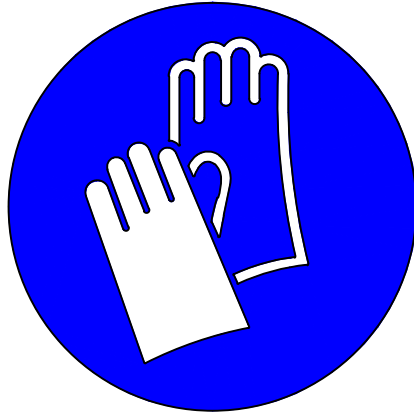
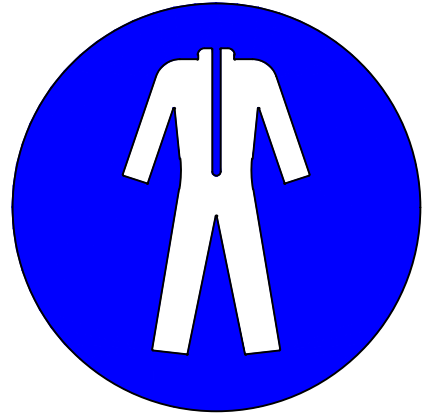
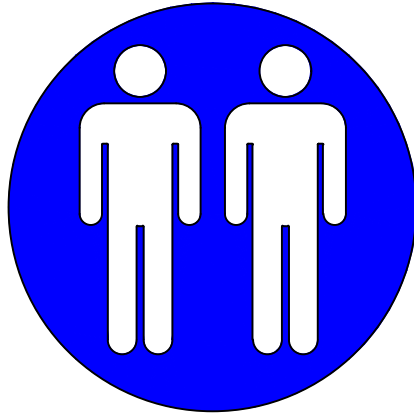
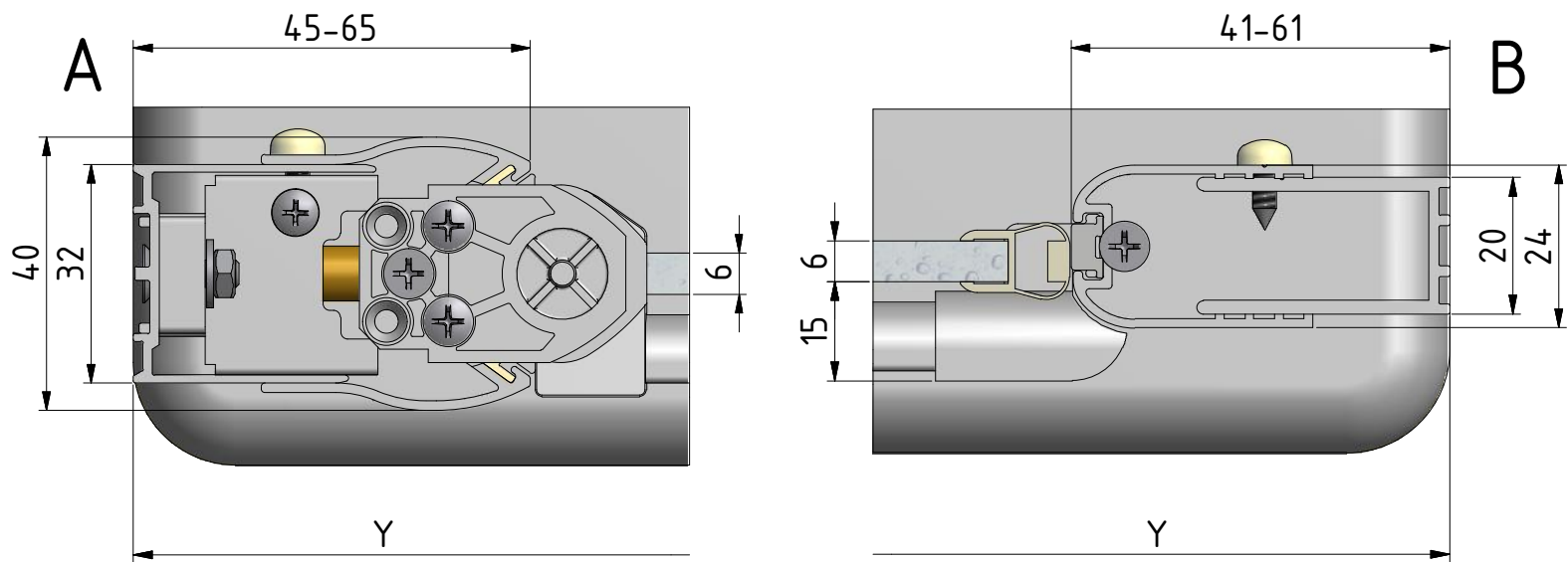
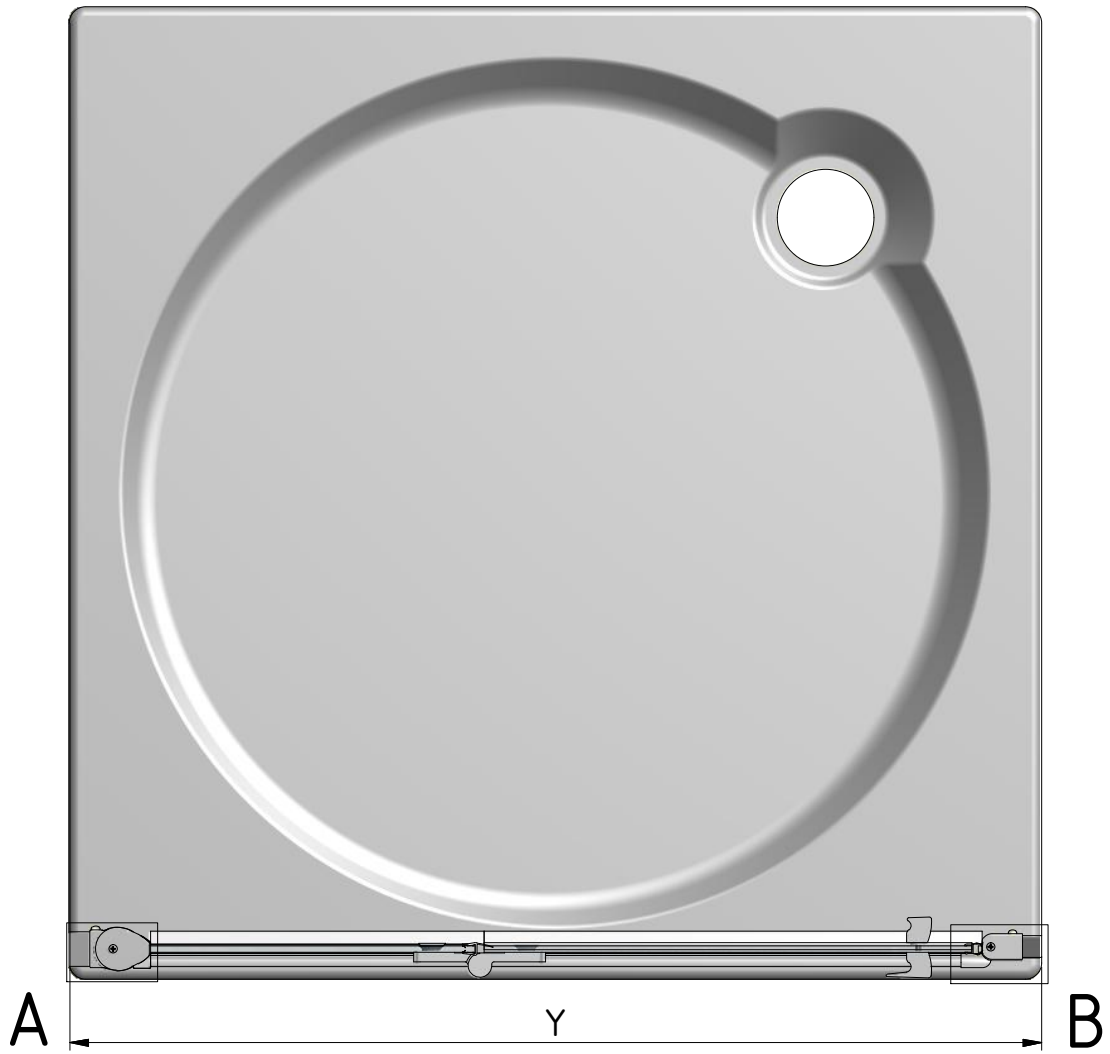


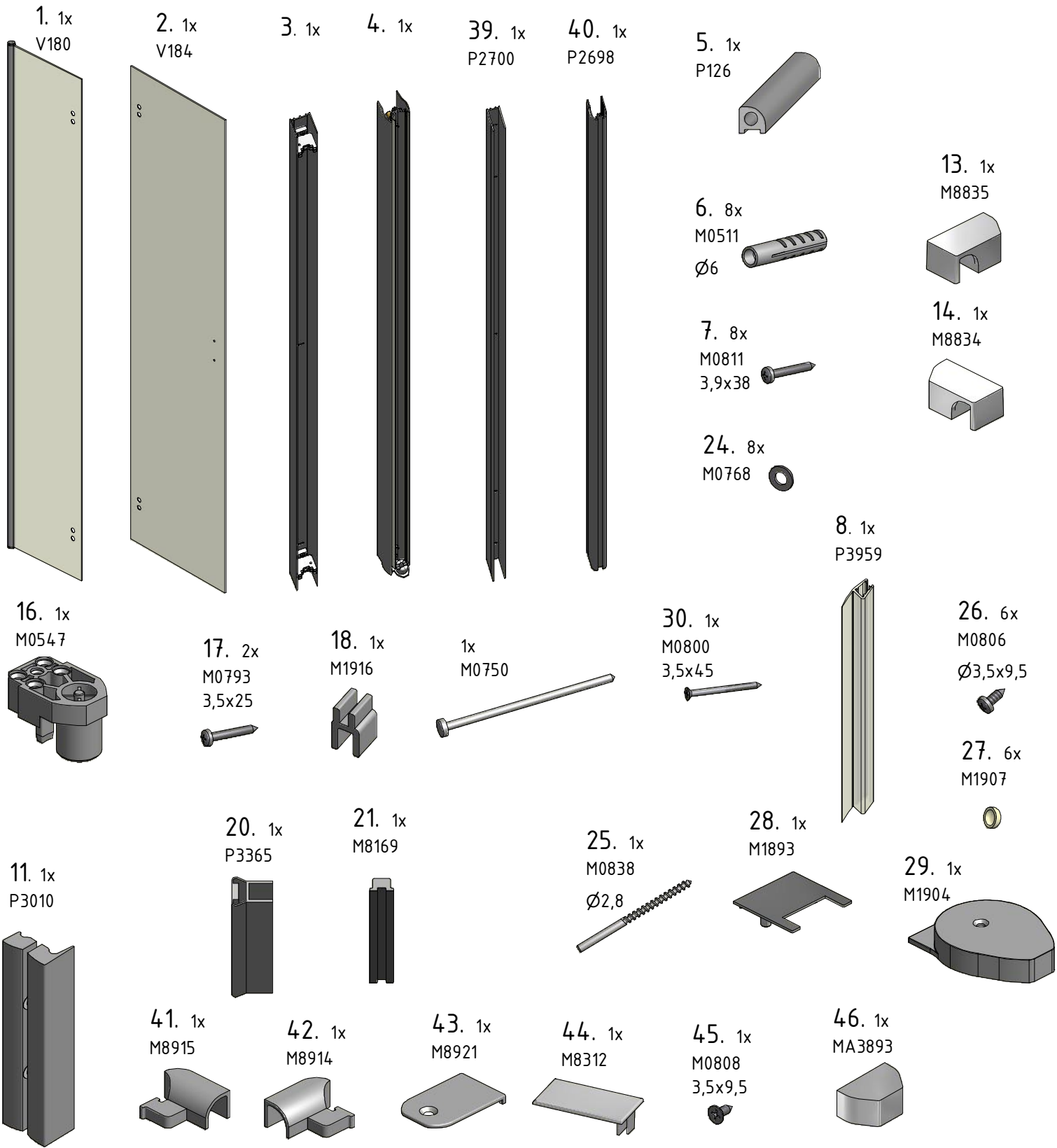
TZNL1(TZNP1)



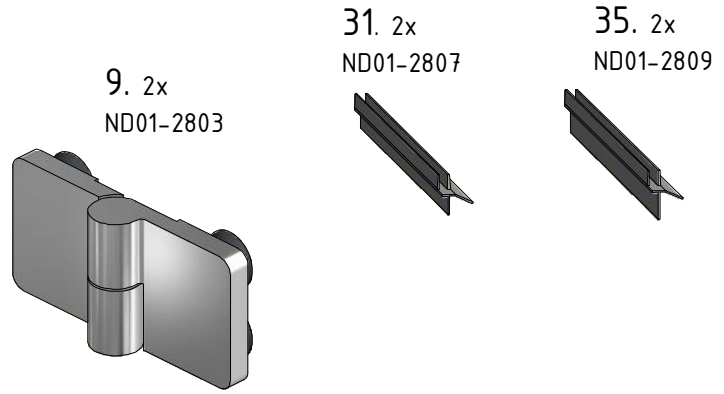




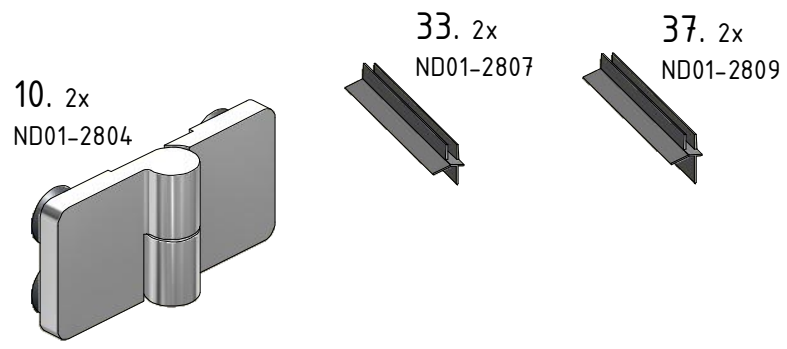
TZN1	Y
800	775-810
900	875-910
1000	975-1010
1100	1075-1110
1200	1175-1210

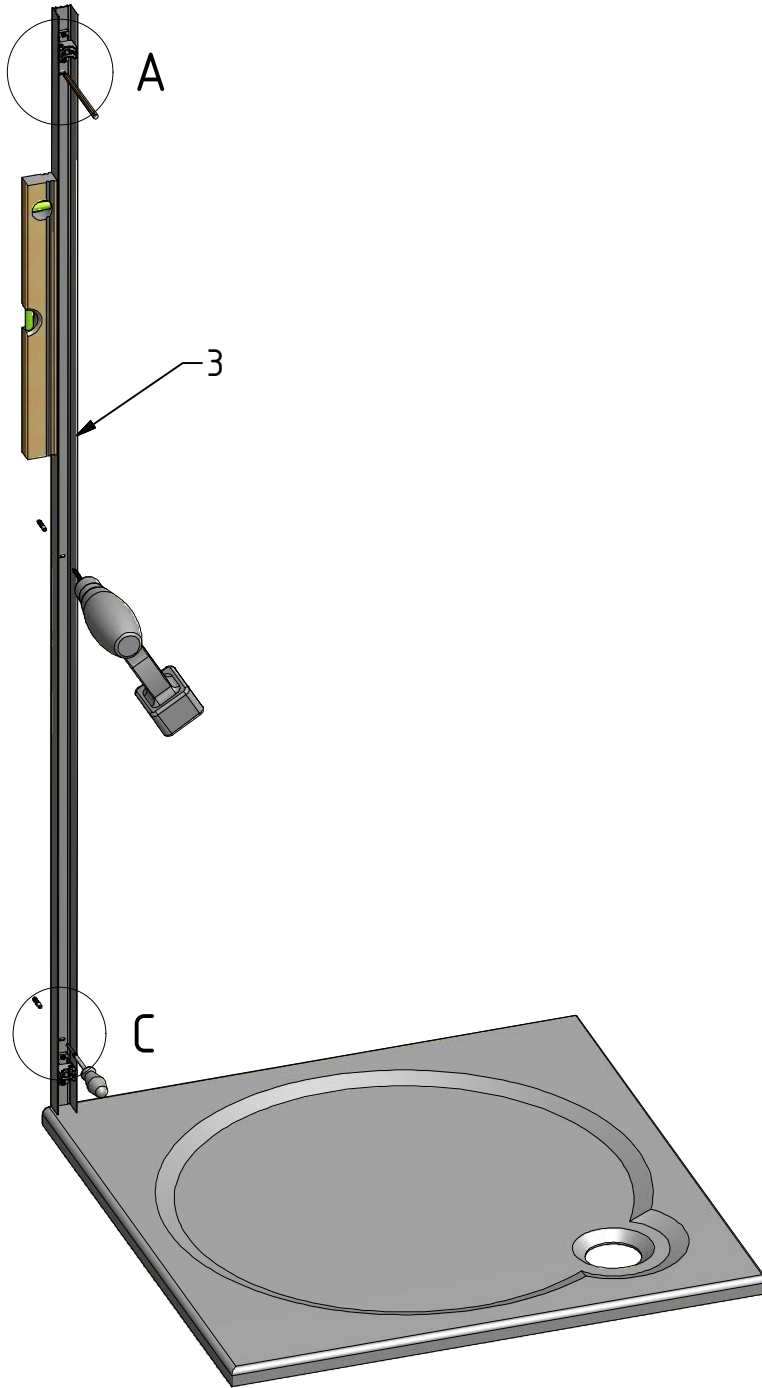


TZNL1

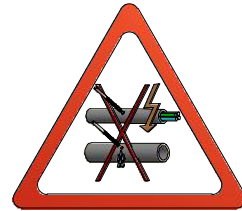
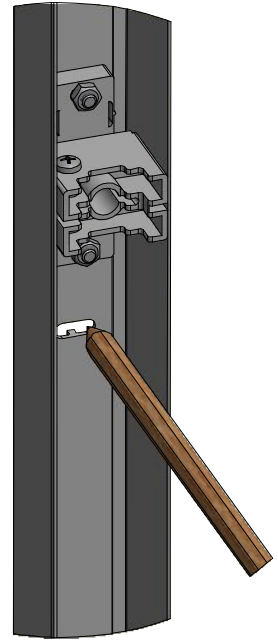


TZNP1

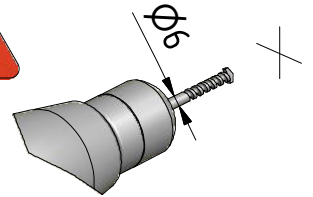




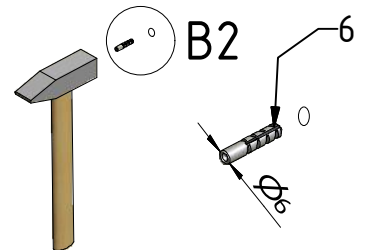
A



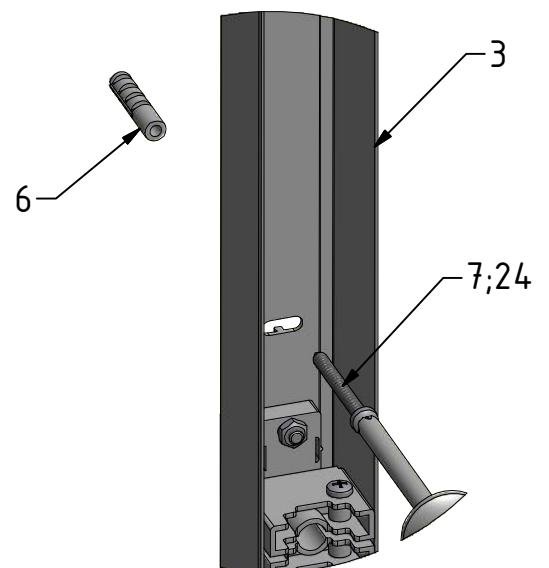
B1



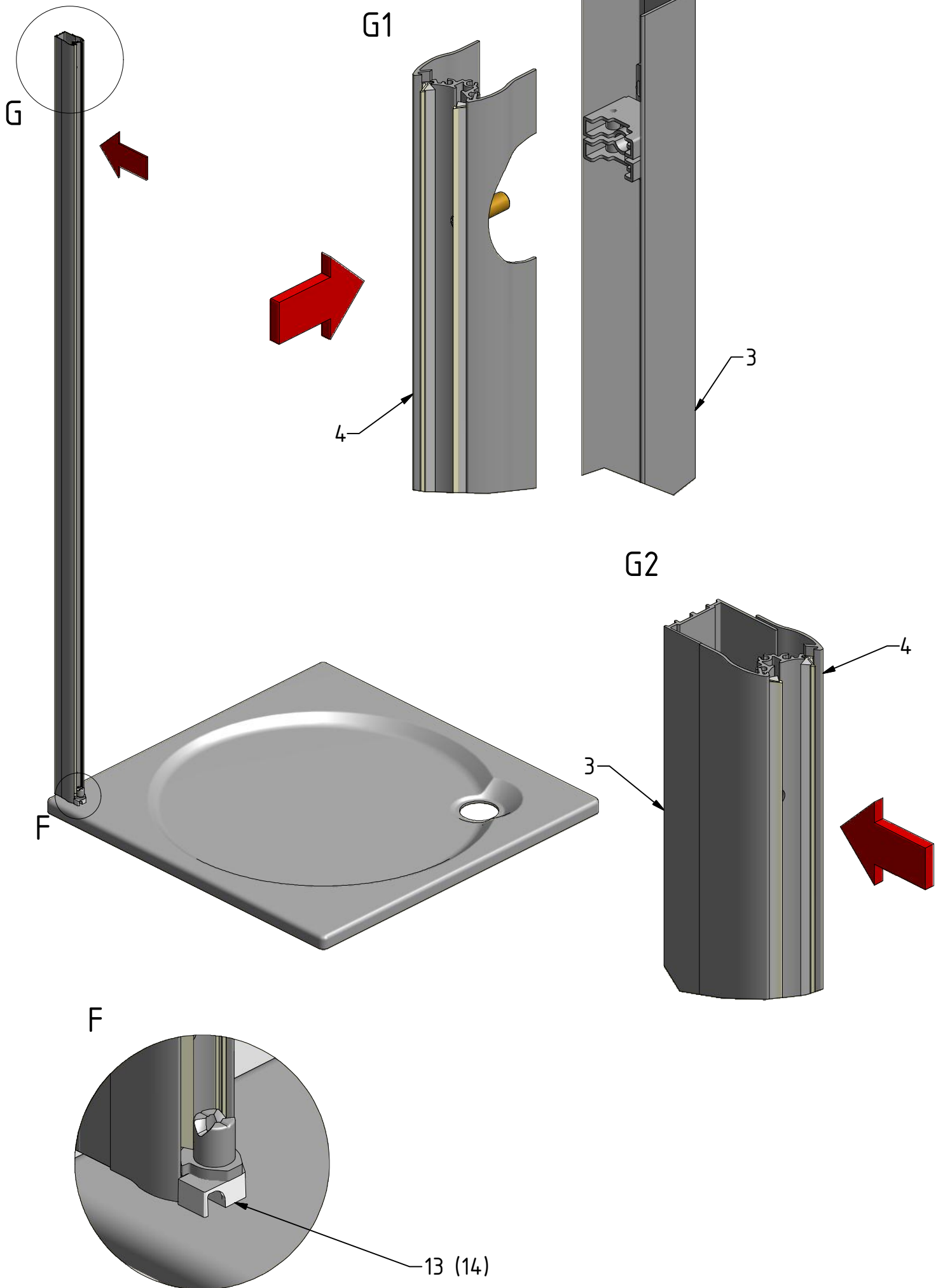
B2



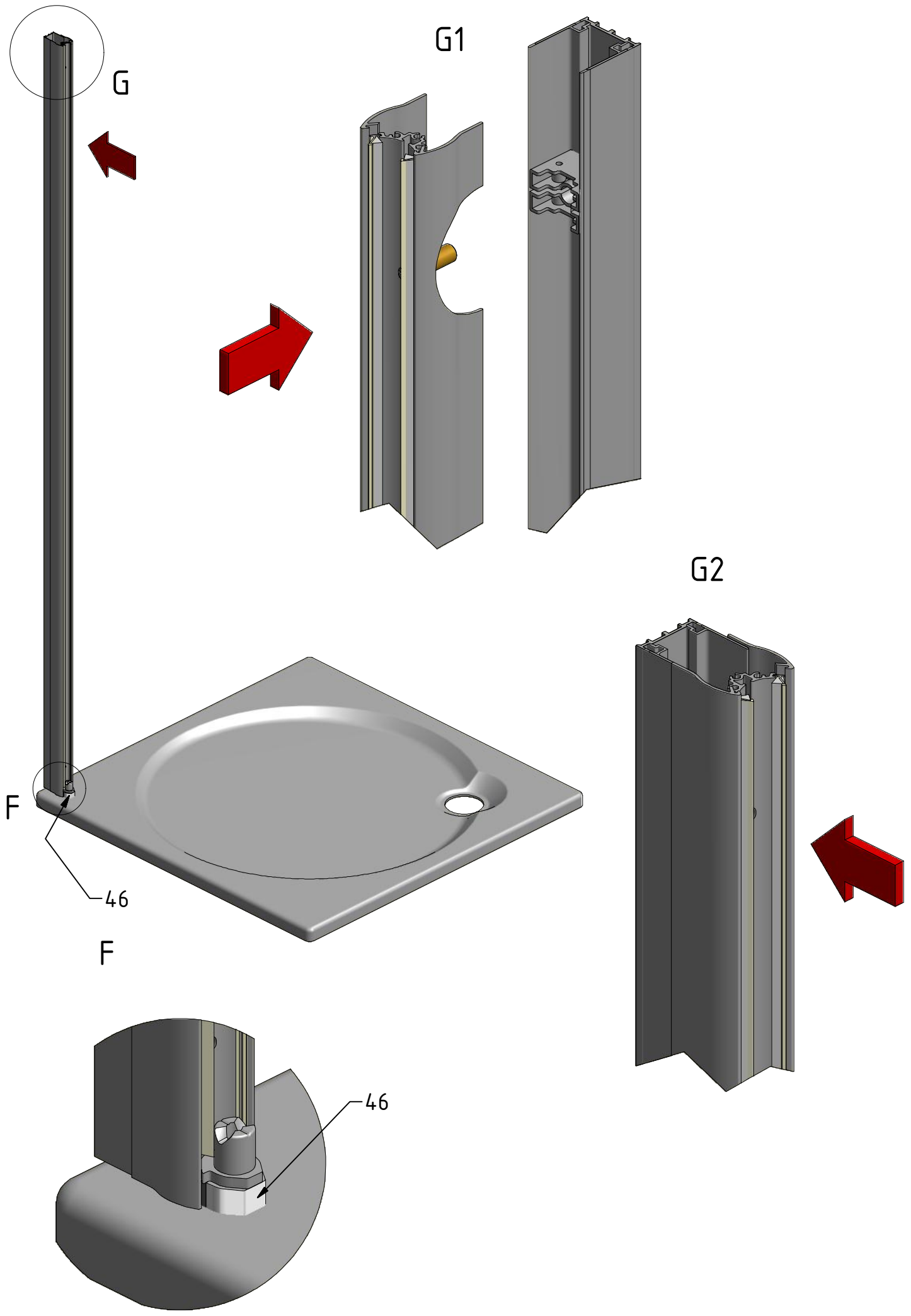
C



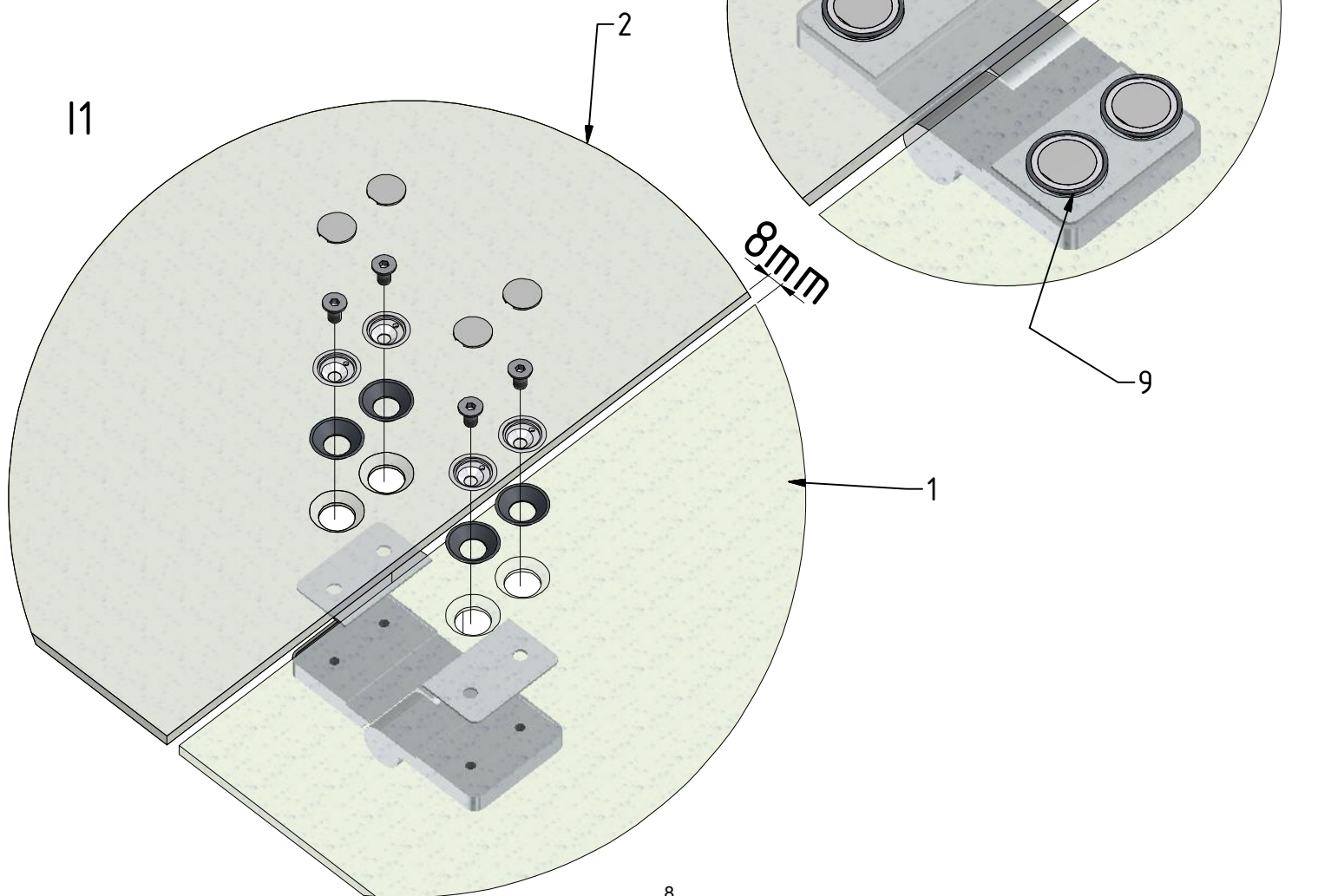
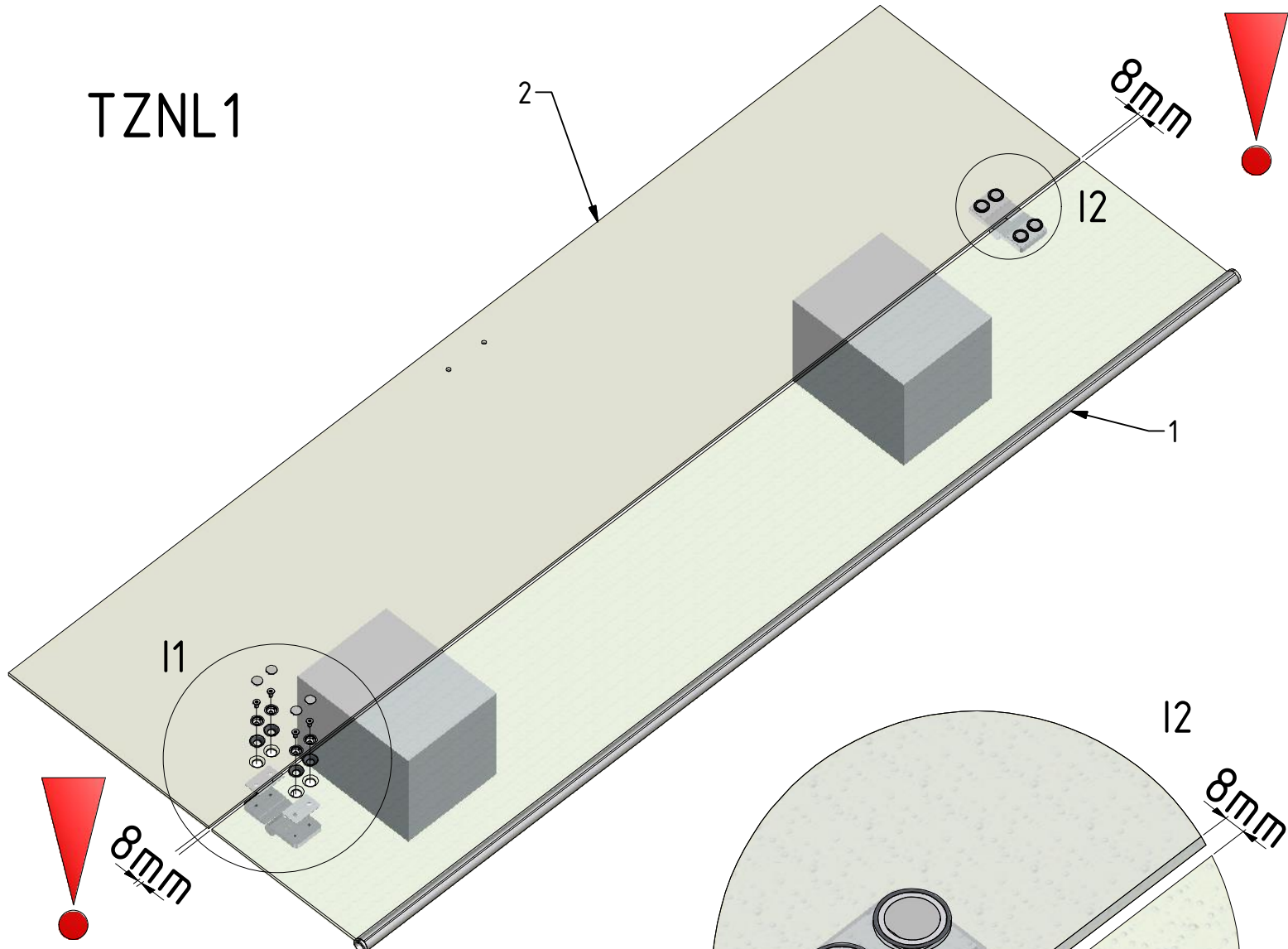
Varianta I.



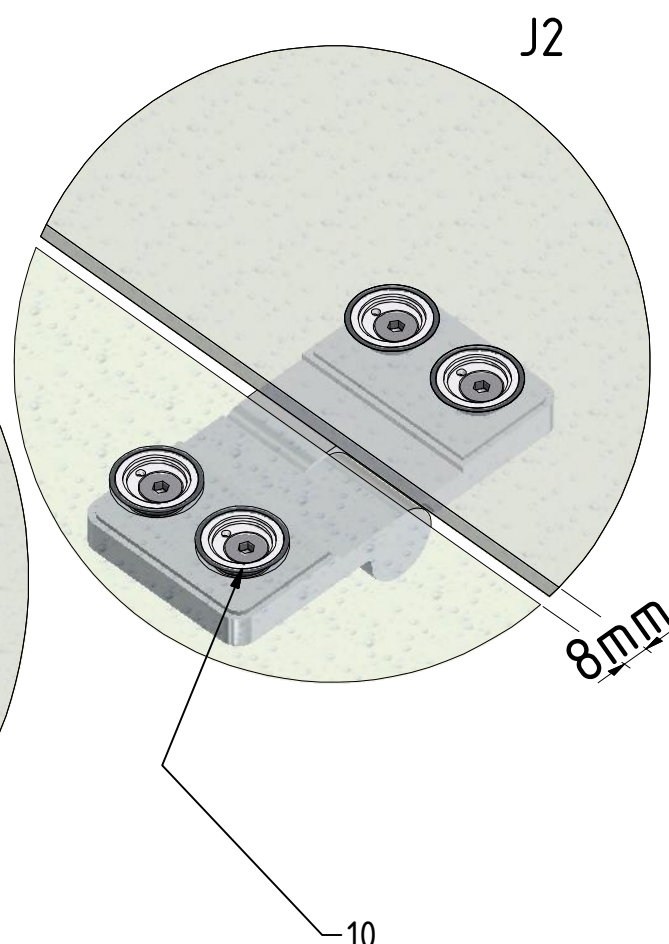
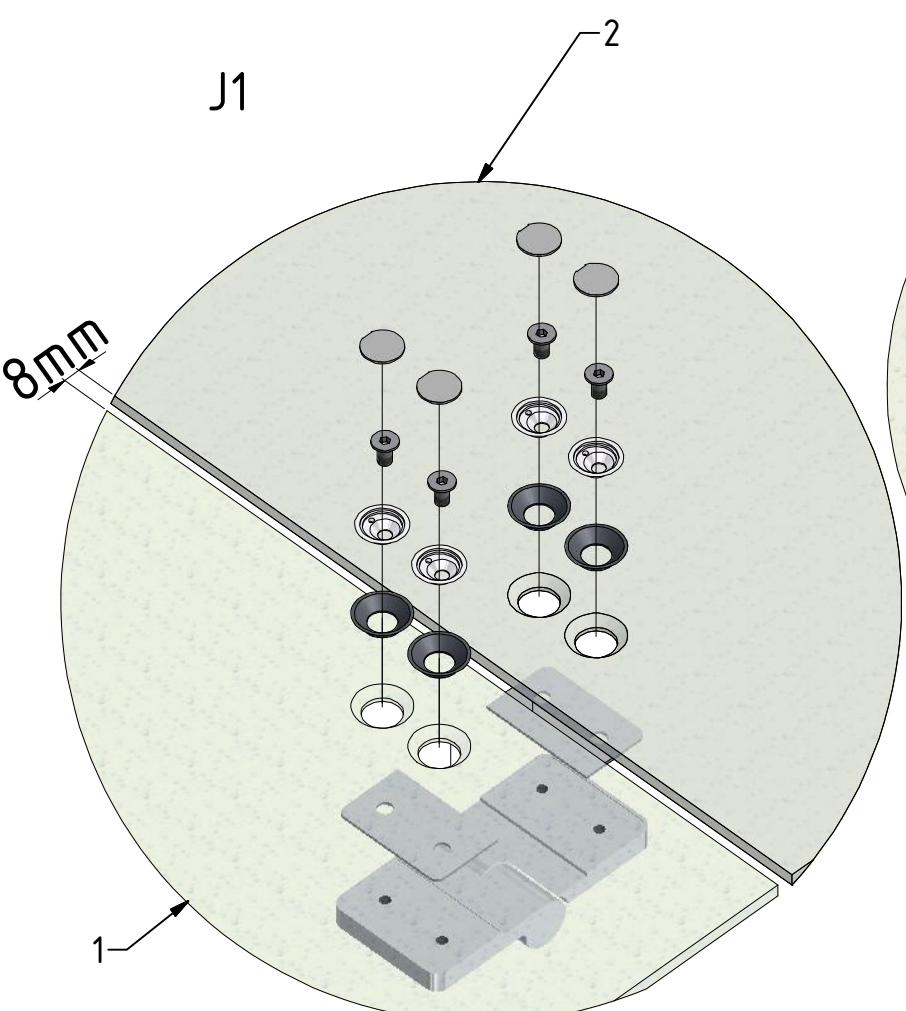
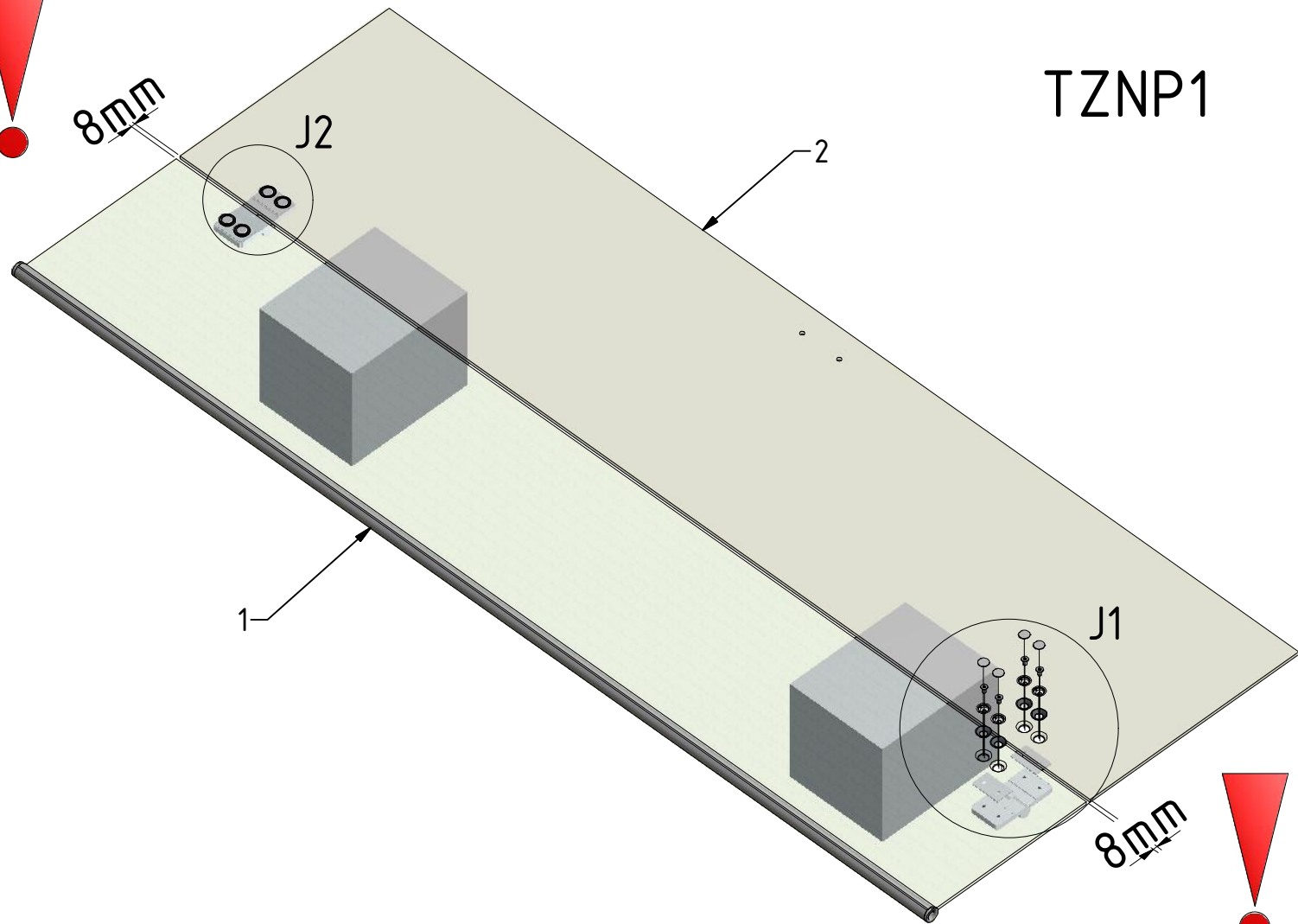
Varianta II.

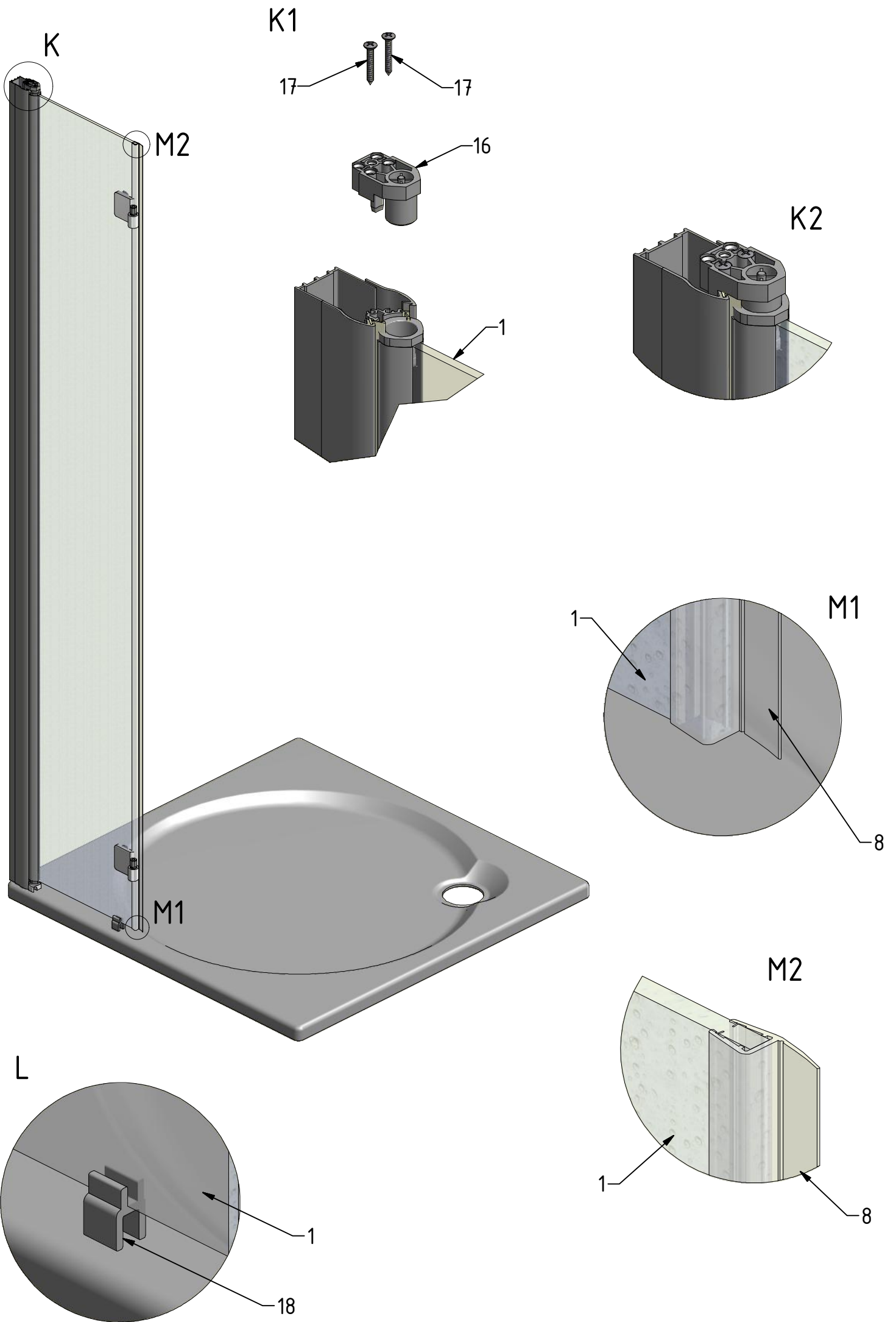


TZNL1

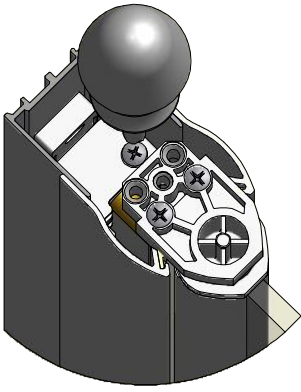


TZNP1

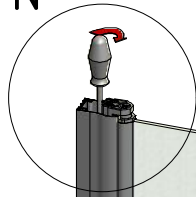




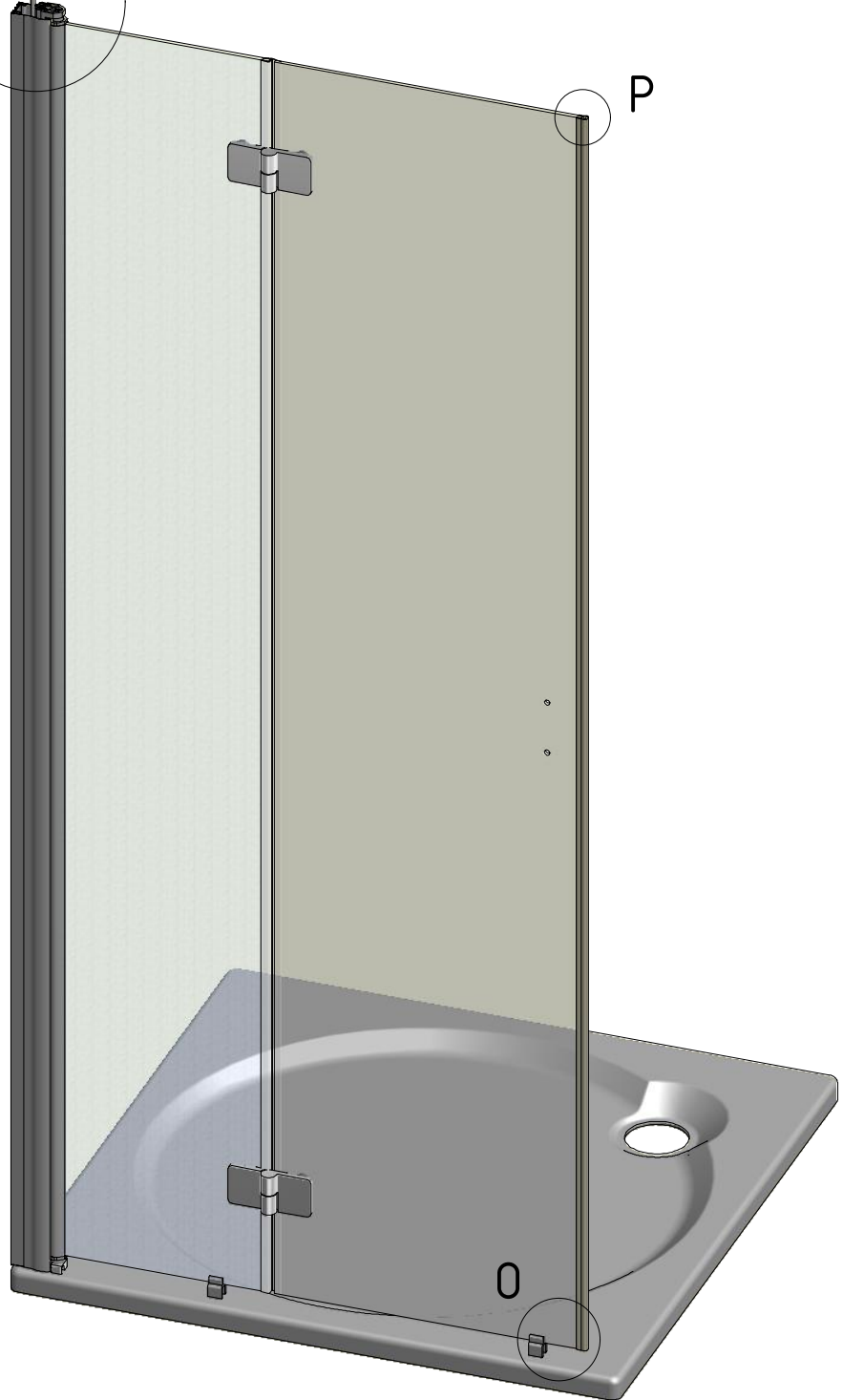
N



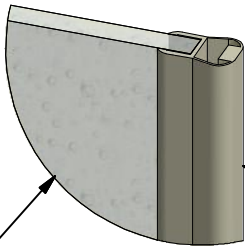
N



P



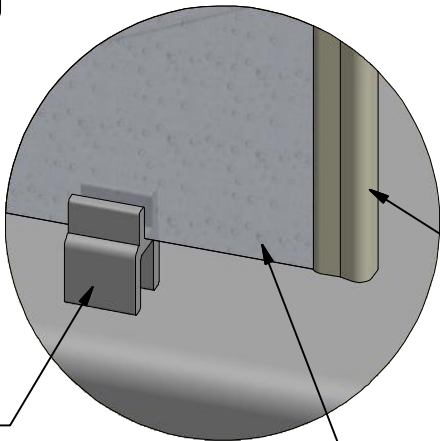
P



20

2

0

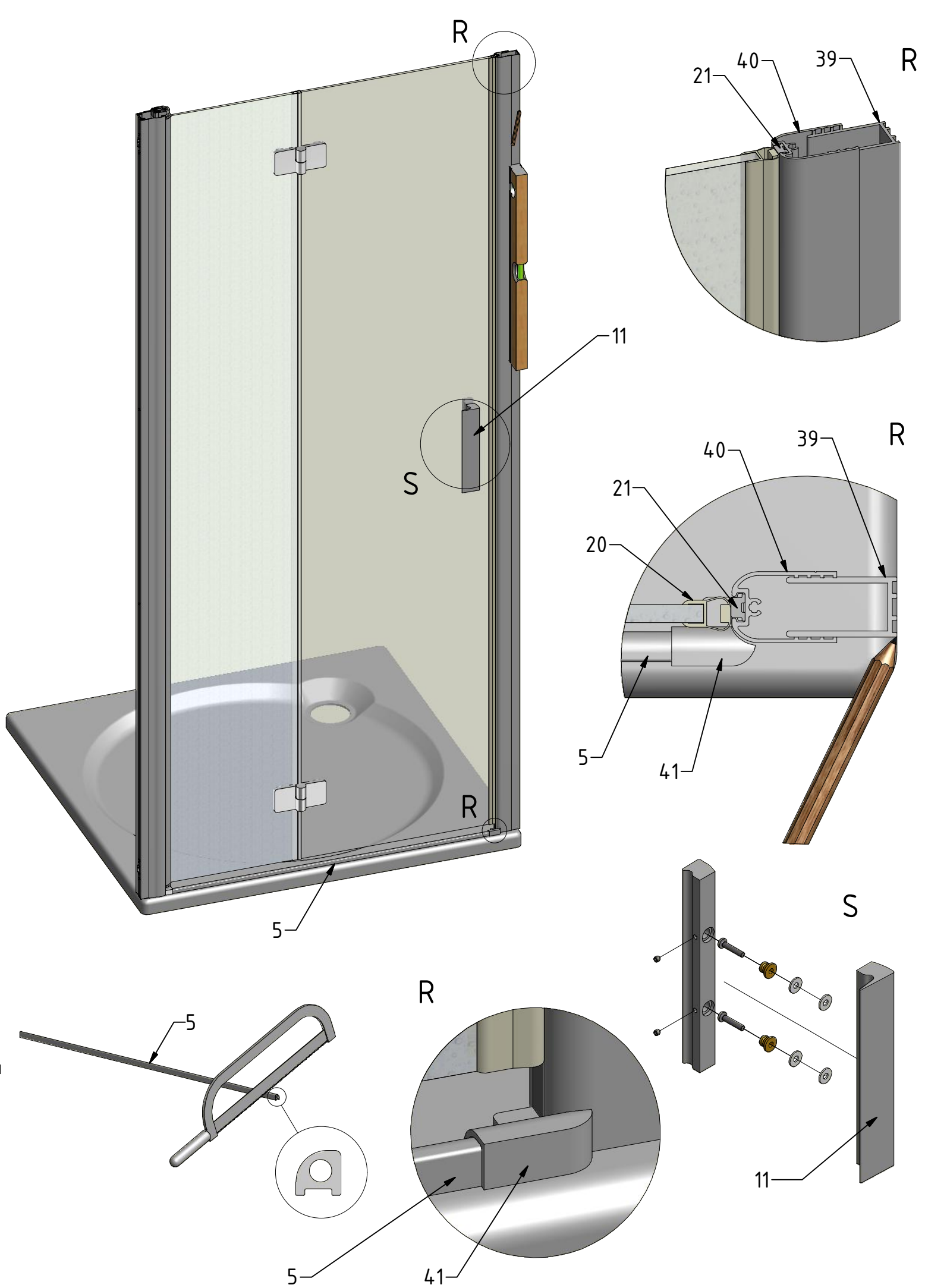


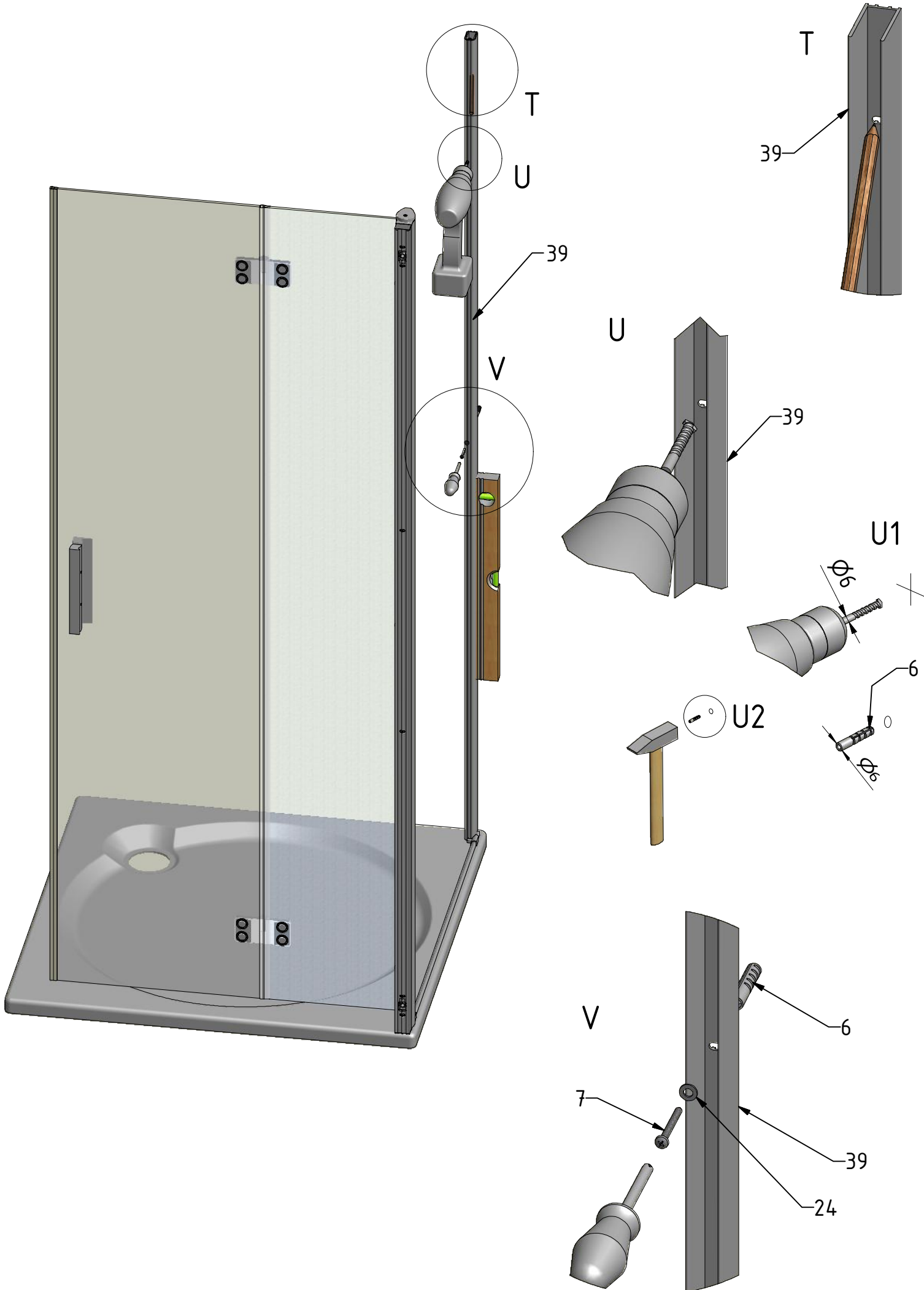
20

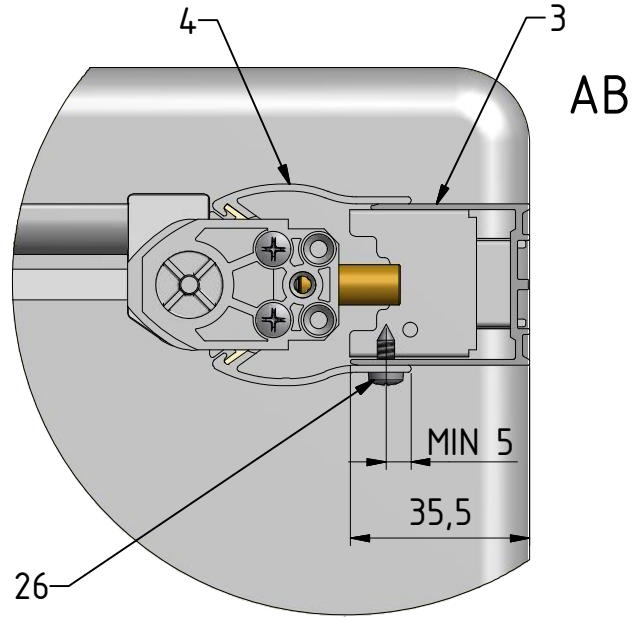
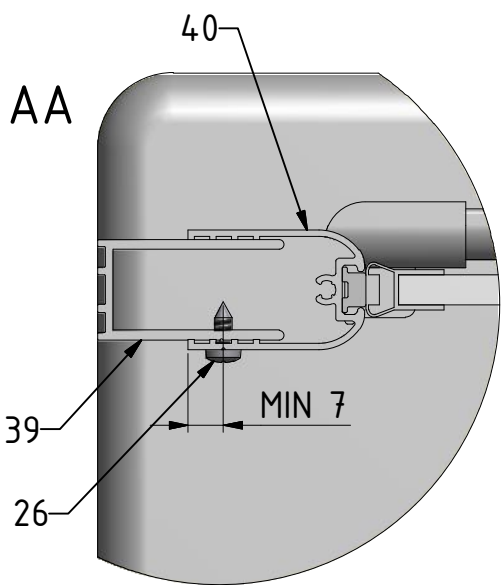
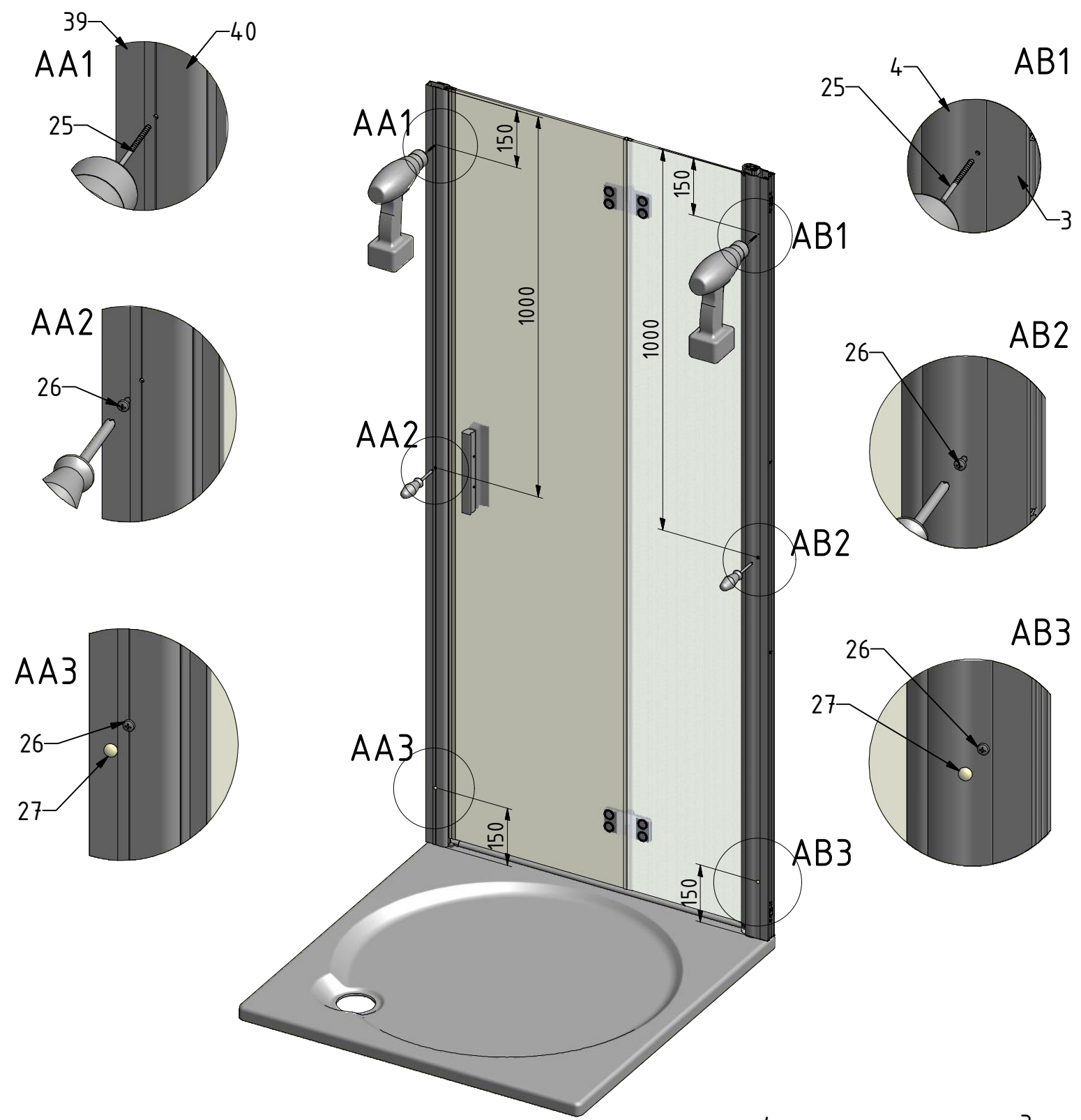
0

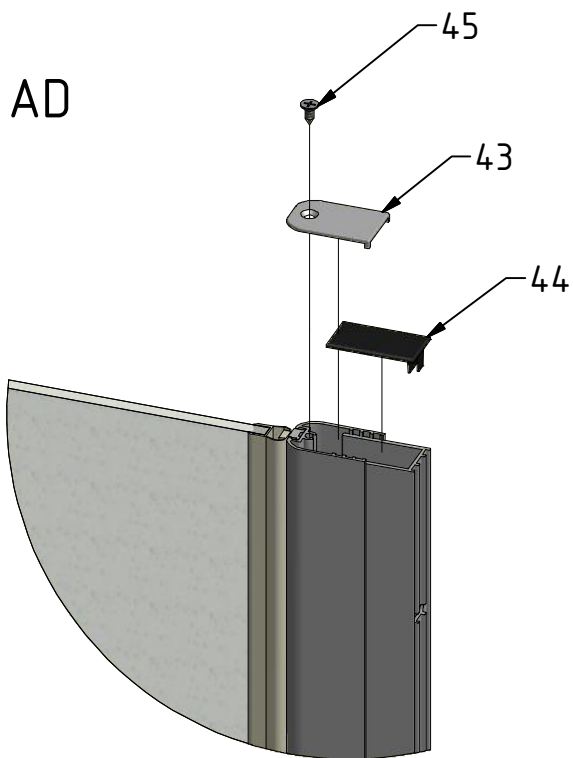
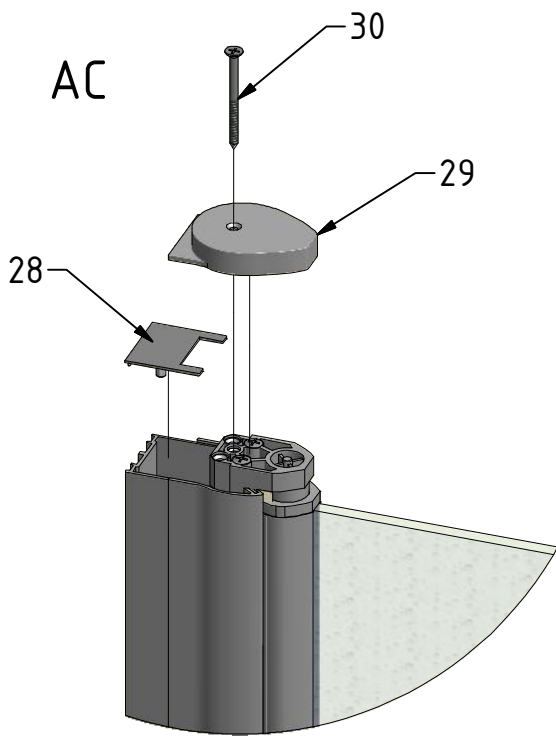
18

2

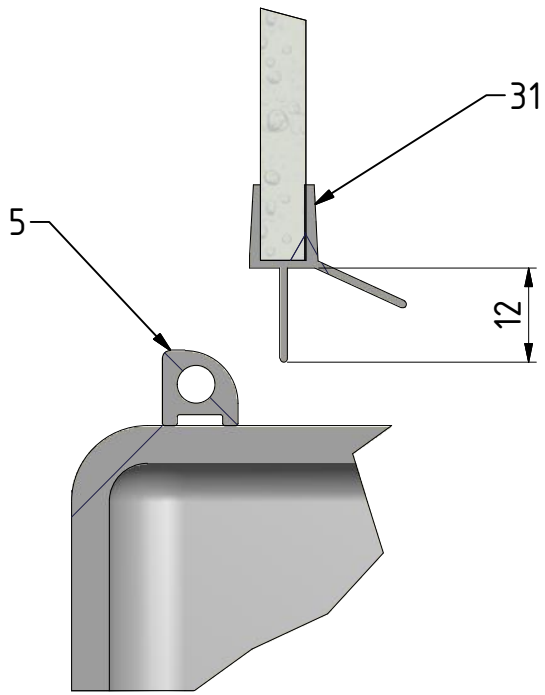




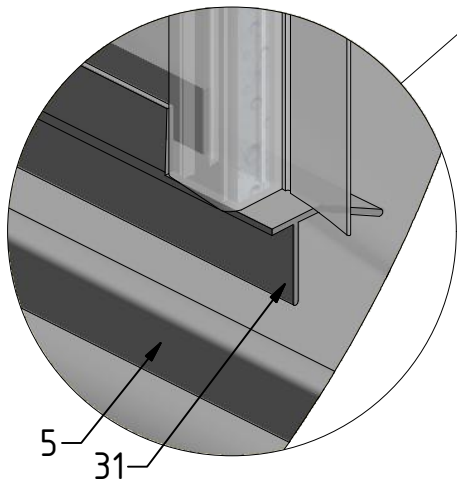
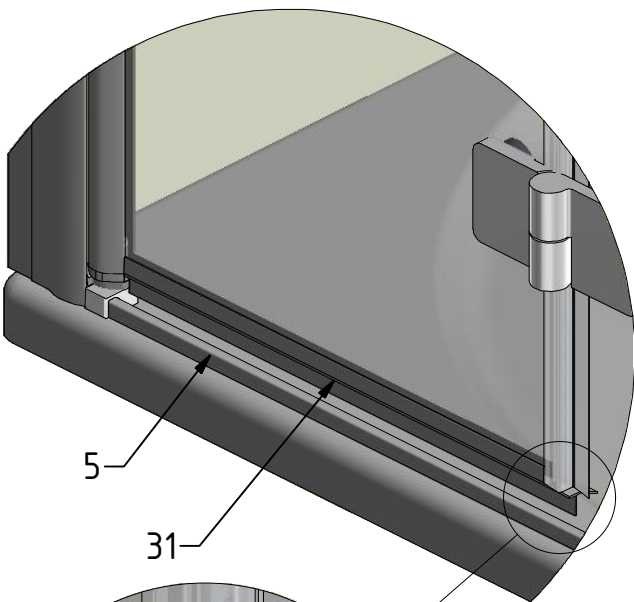




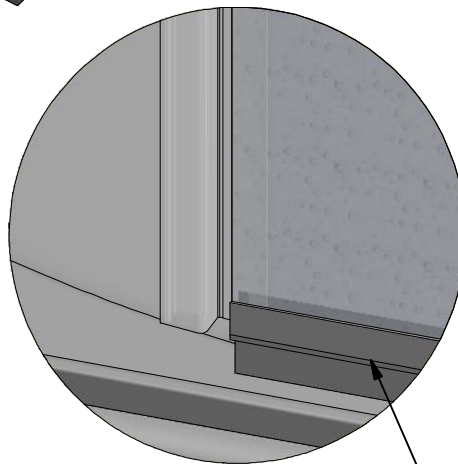
varianta I.



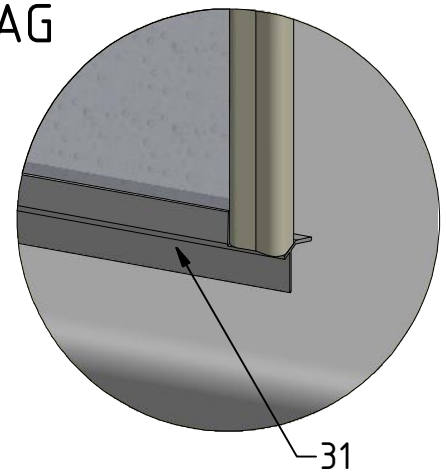
AE



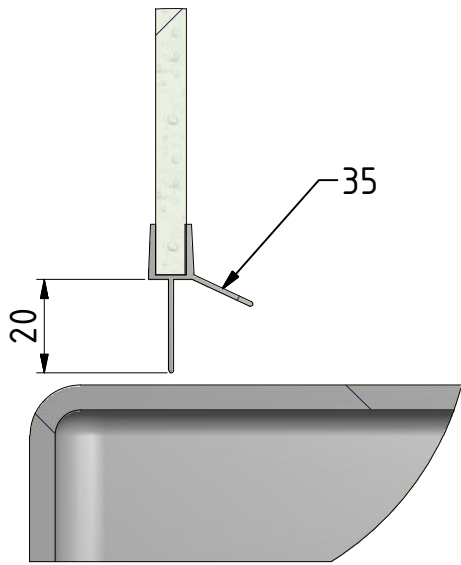
AF



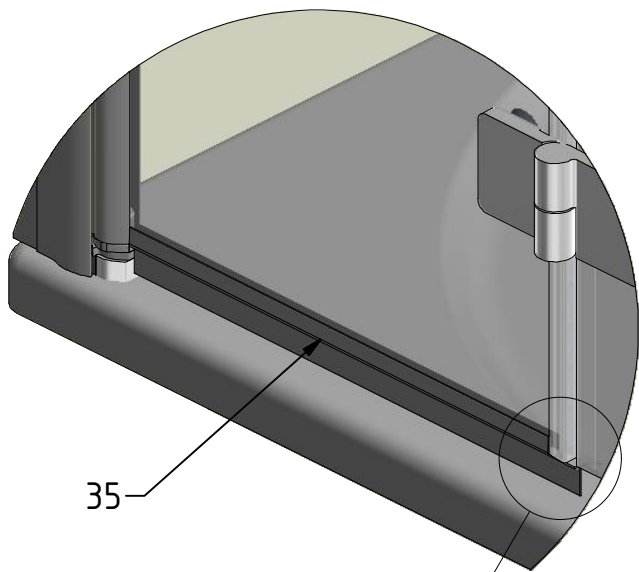
AG



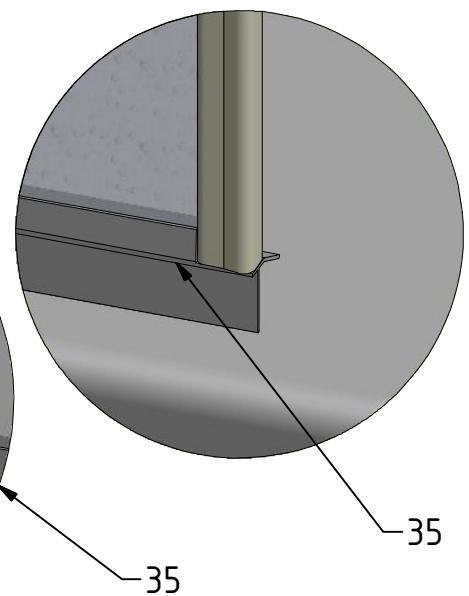
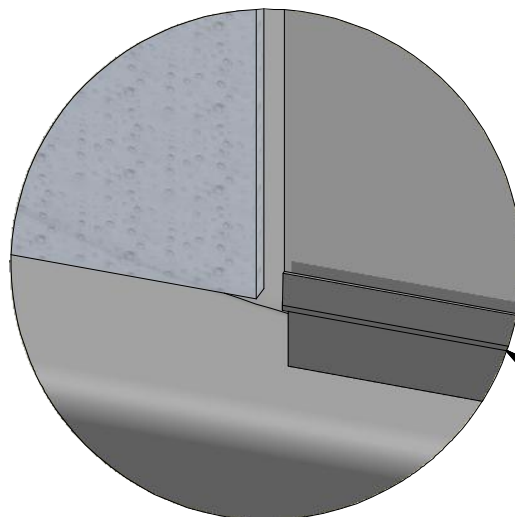
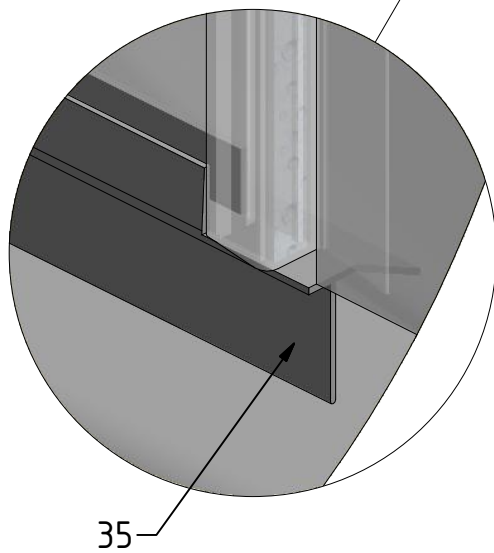
varianta II.



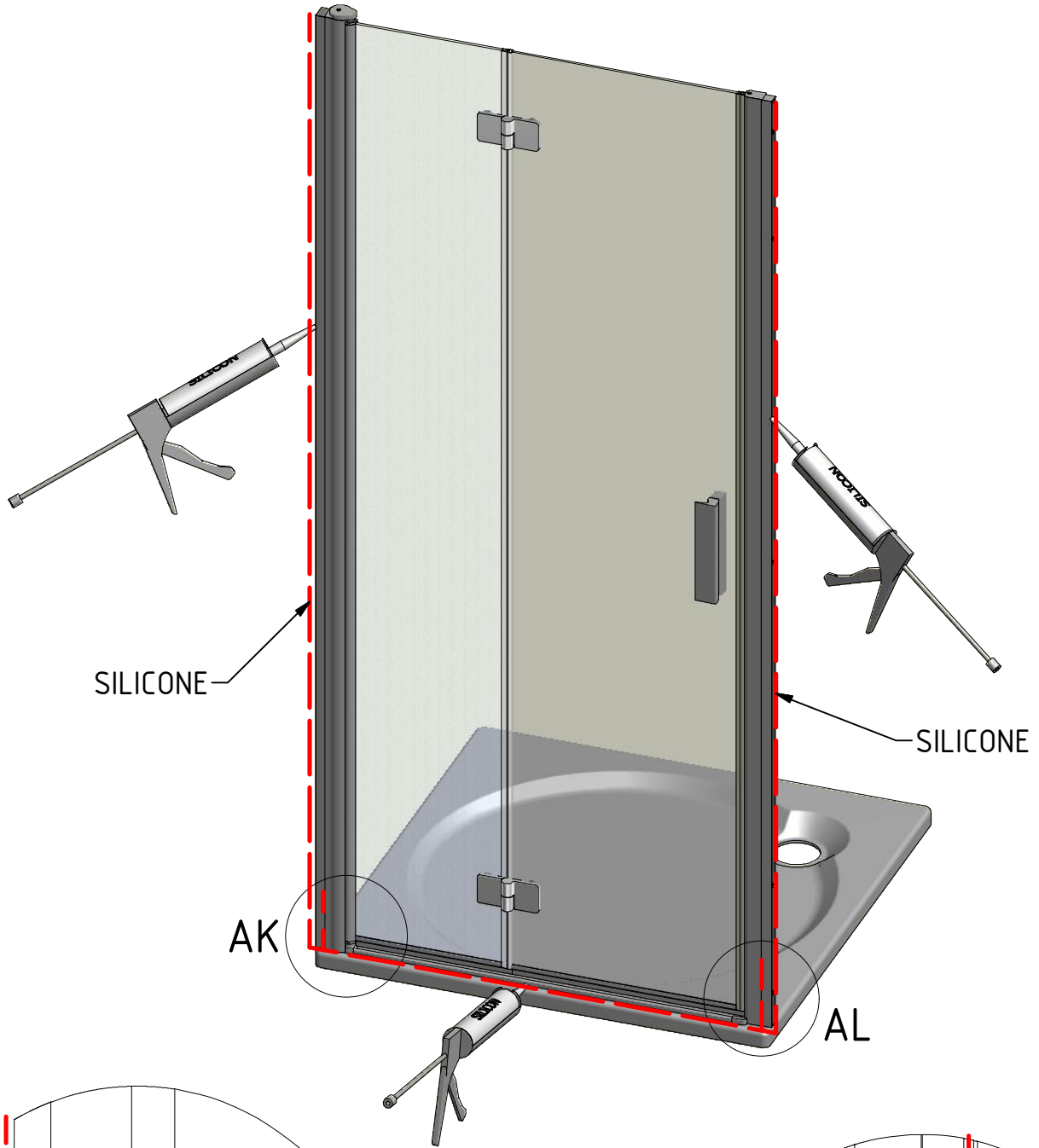
AH



AI AJ



varianta I.



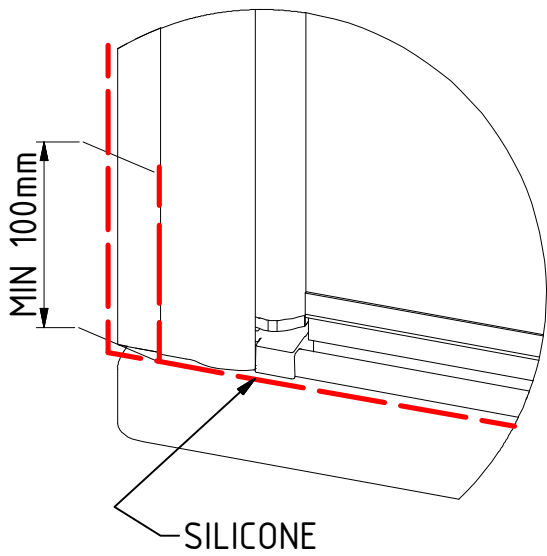
AK

SILICONE

SILICONE

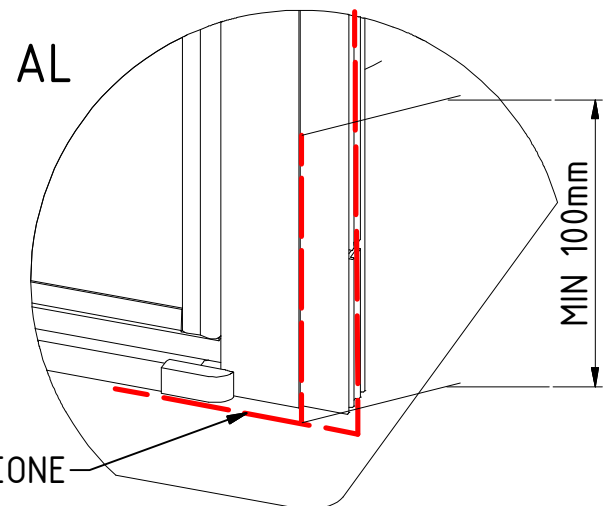
AK

AL



MIN 100mm

SILICONE

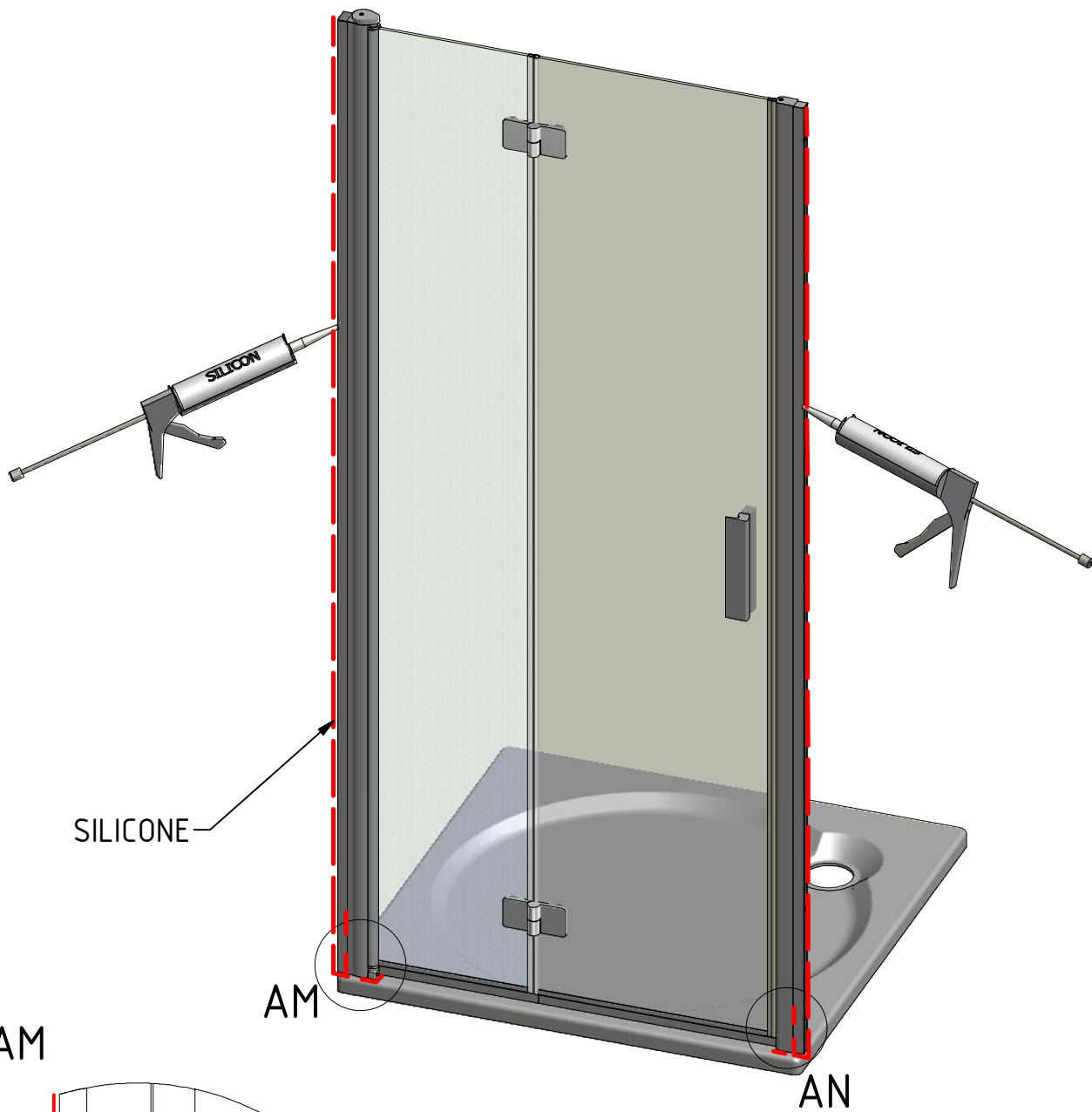


AL

MIN 100mm

SILICONE

varianta II.

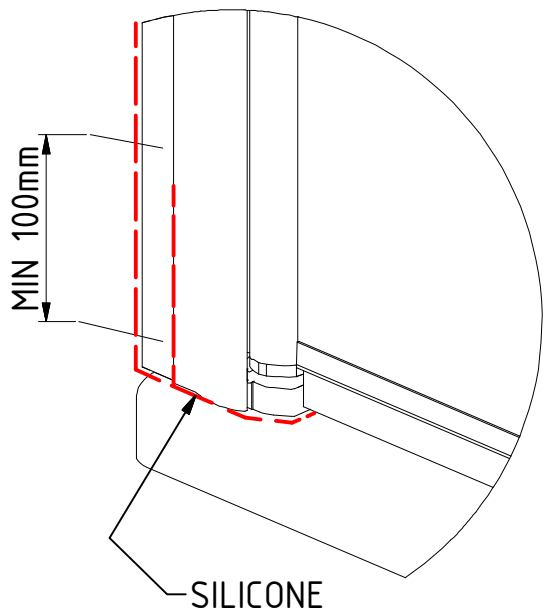


AM

SILICONE

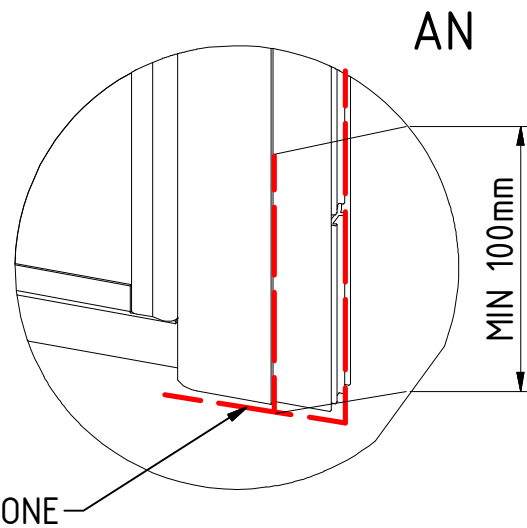
AM

AN



MIN 100mm

SILICONE

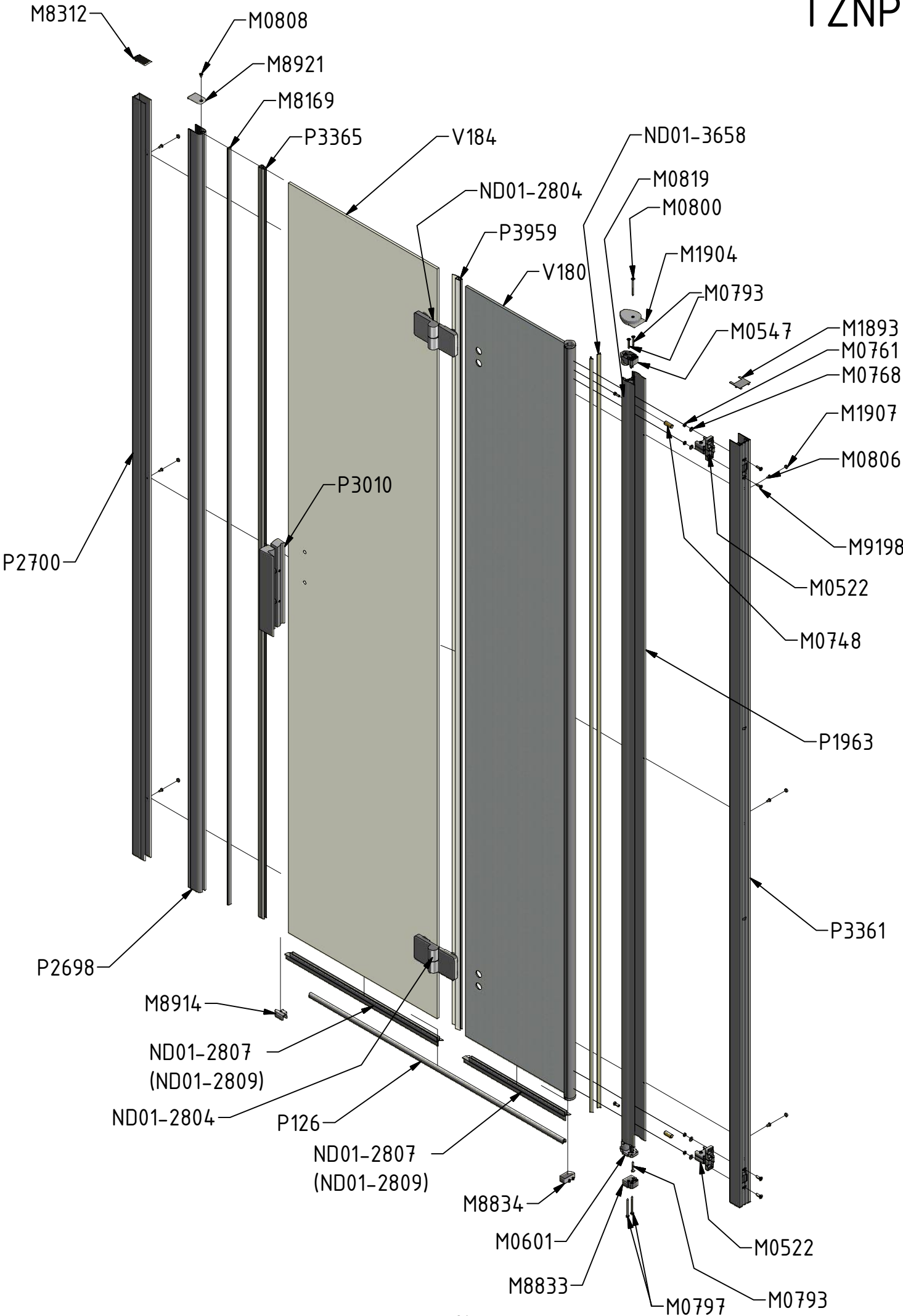


AN

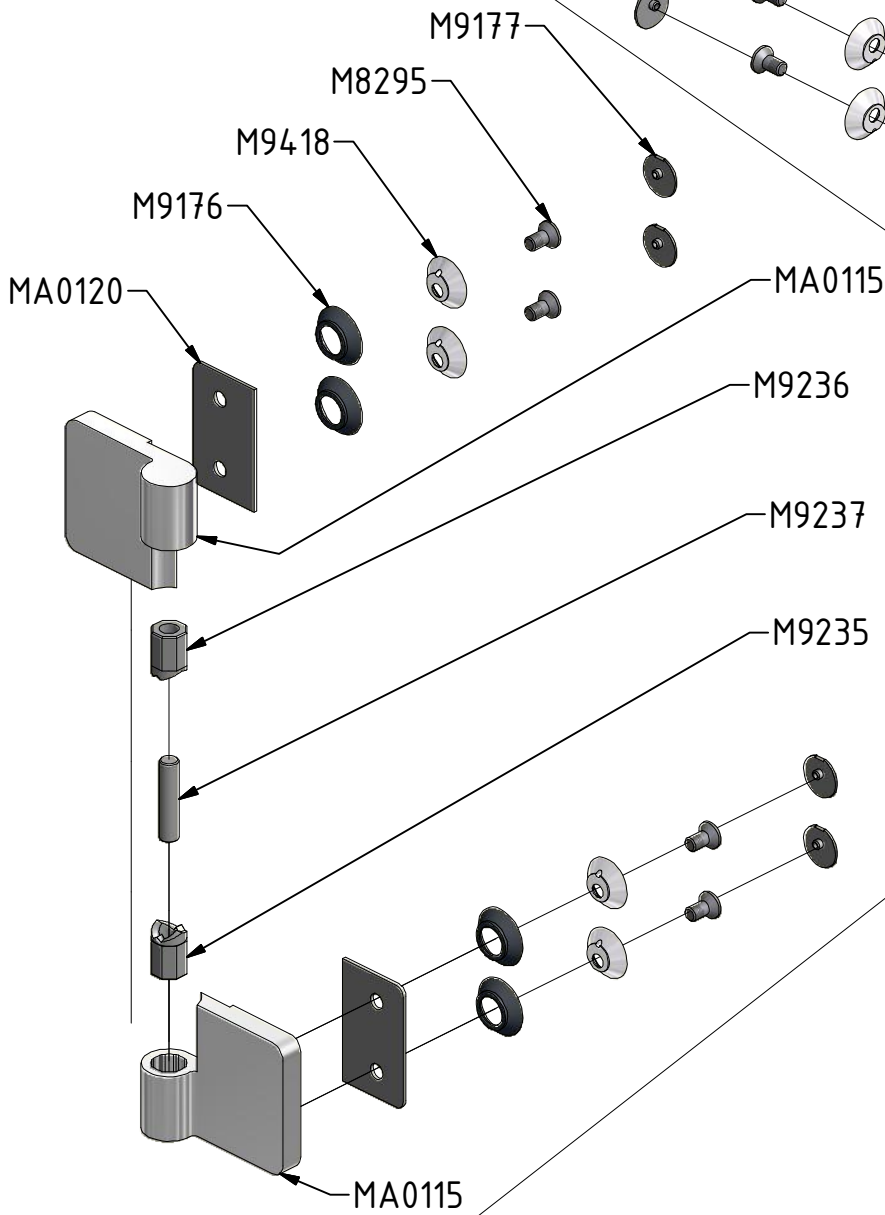
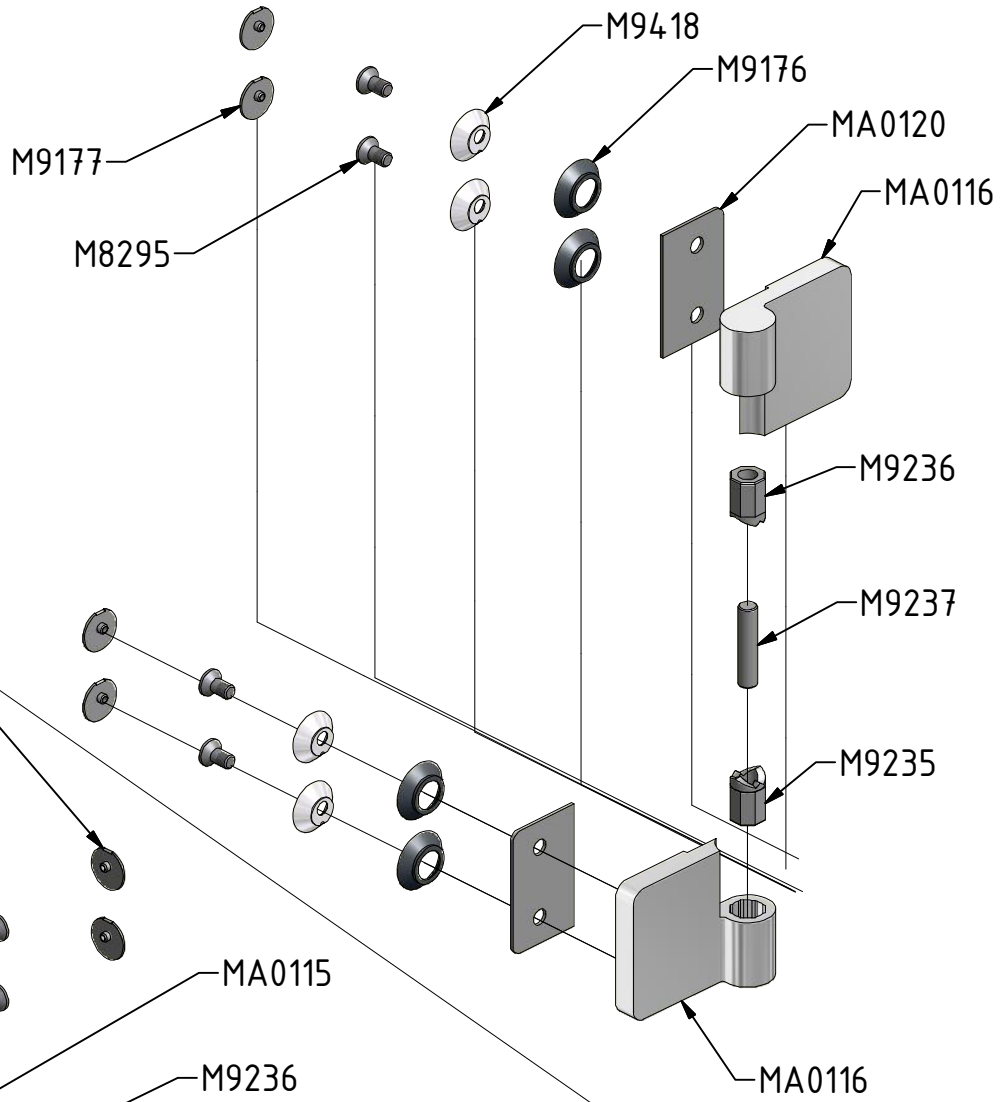
MIN 100mm

SILICONE

TZNP1

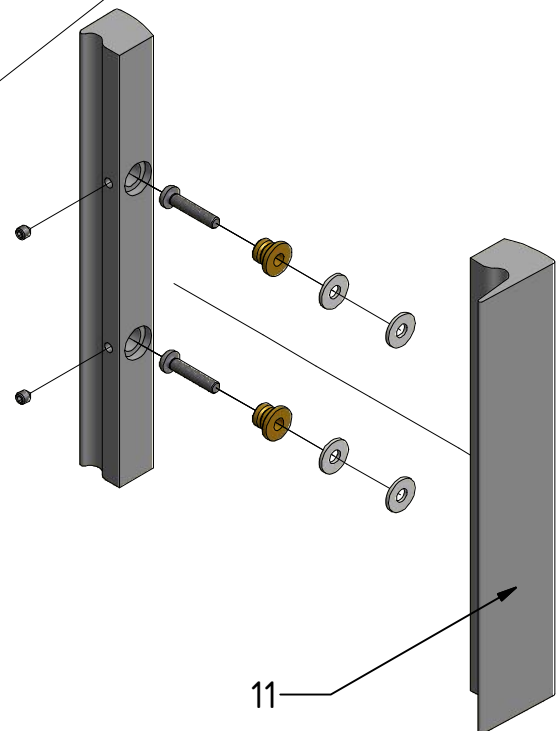


ND01-2803



ND01-2804

P3010



V184	800;900	clear glass	čiré sklo	ND02-0747-00-02
	1000;1100	clear glass	čiré sklo	ND02-0748-00-02
	1200	clear glass	čiré sklo	ND02-0749-00-02
V180	800	brillant+clear glass	brillant+čiré sklo	ND02-0751-00-02
	900;1000	brillant+clear glass	brillant+čiré sklo	ND02-0752-00-02
	1100;1200	brillant+clear glass	brillant+čiré sklo	ND02-0753-00-02
P126	800			ND01-2805-8
	900			ND01-2805-9
	1000			ND01-2805-1
	1100			ND01-2805-11
	1200			ND01-2805-12

