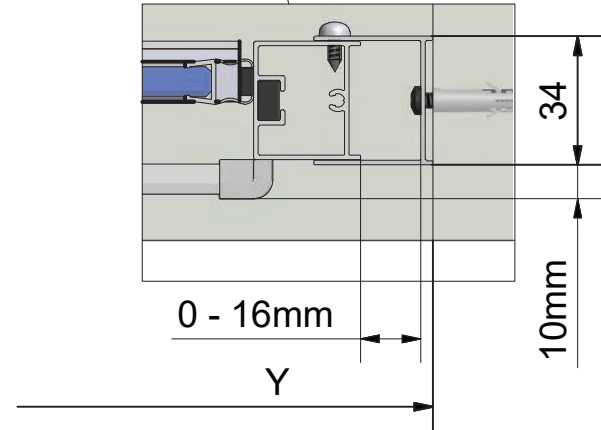
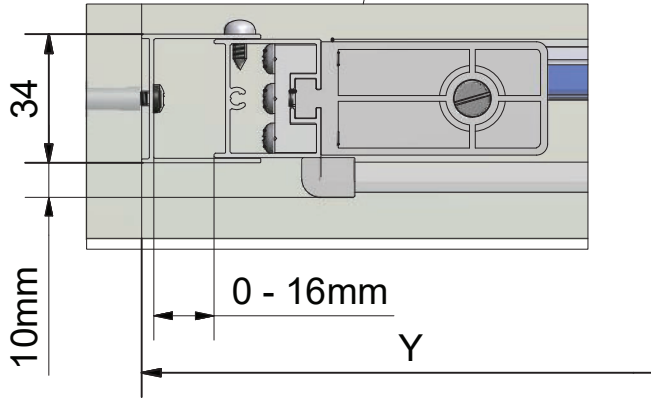
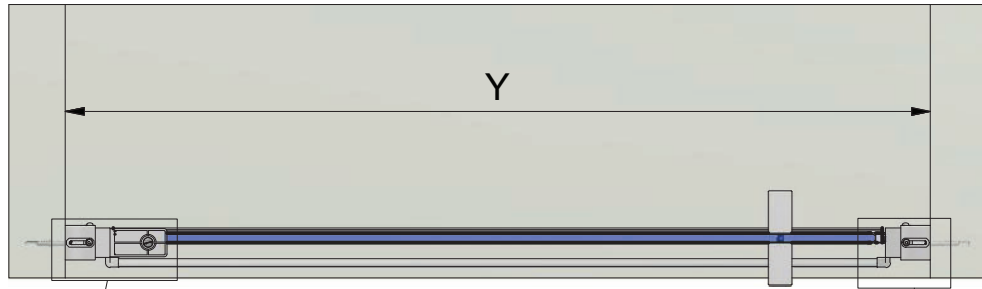


HI PI2 + HI SET



HI PI2 + HI SET	
TYPE	Y (mm)
800	783 - 815
900	883 - 915
1000	983 - 1015

HI SET

POS.	PREVIEW	PCS	SPARE PART
27		1	ND01-4007
28		1	ND01-4012
29		1	ND01-4013
30		1	ND01-4013

HI SET

POS.	PREVIEW	PCS	SPARE PART
31		3	ND01-4013
32		3	ND01-4013
33		1	ND01-4013
34		1	ND01-4013
35		1	ND01-4013
36		1	ND01-4013
37		1	ND01-4013
38		1	ND01-4014