

Sanitary Systems

Roth Cariba CI BAE

Roth



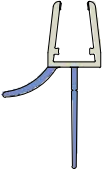
Assembling Instruction
Montageanleitung
Notice de montage
Montážní návod




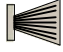



Shower for life












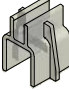
CI BAE

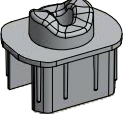
2. P6294

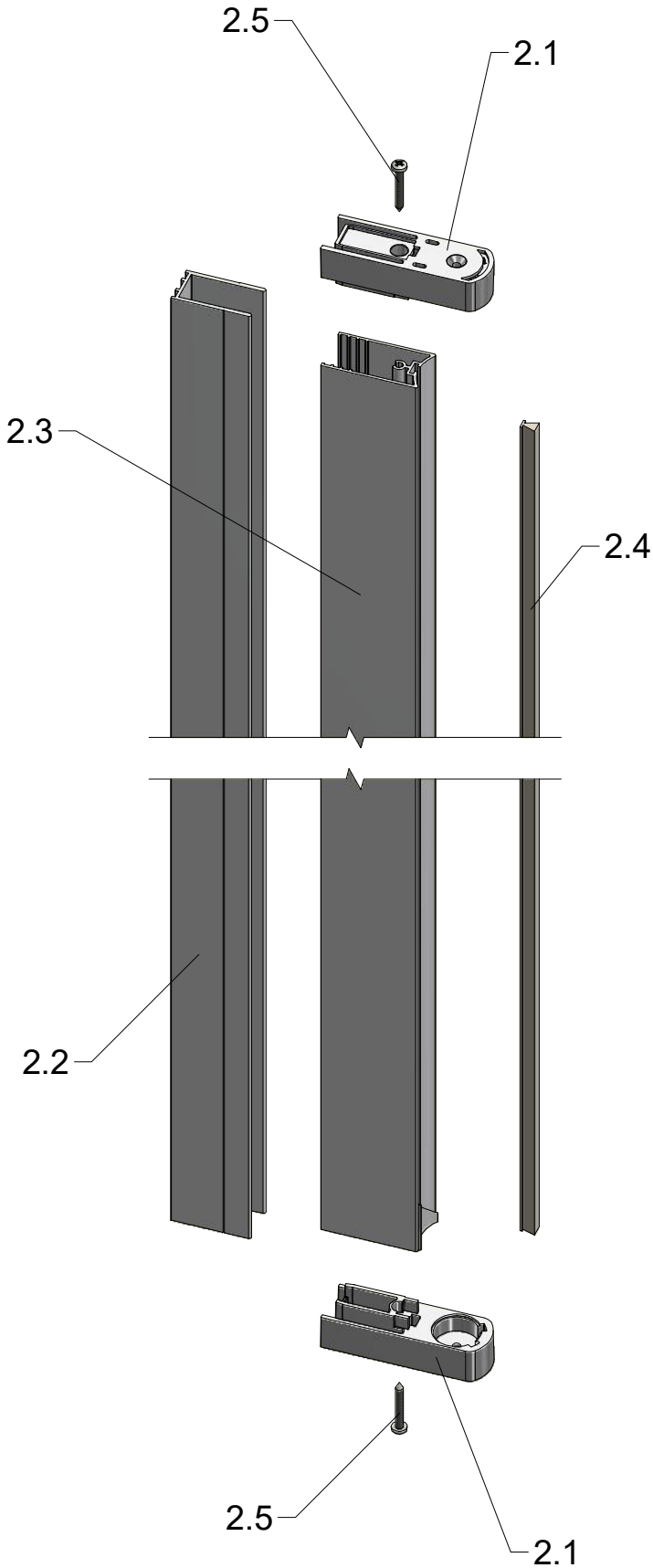
POS.	PREVIEW	PCS	SPARE PART
1.		1	ND02-0973-00-02
2.		1	P6574
3.		1	P6122
4.	ACCESSORIES	1	P6318

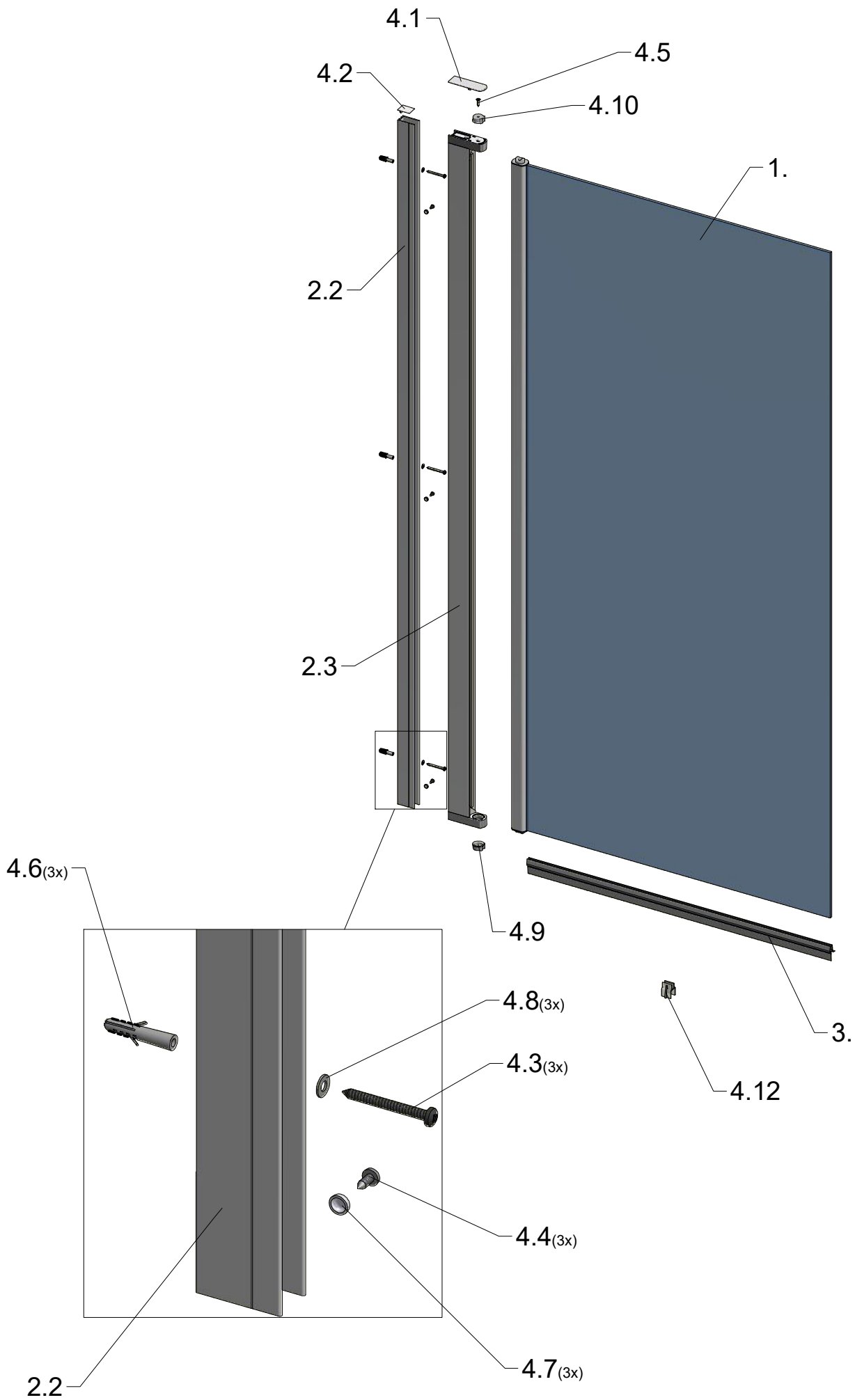
POS.	PREVIEW	PCS	SPARE PART
2.1		2	MA9741
2.2		1	P5949
2.3		1	P5876
2.4		1	ND01-3398
2.5		2	M3372

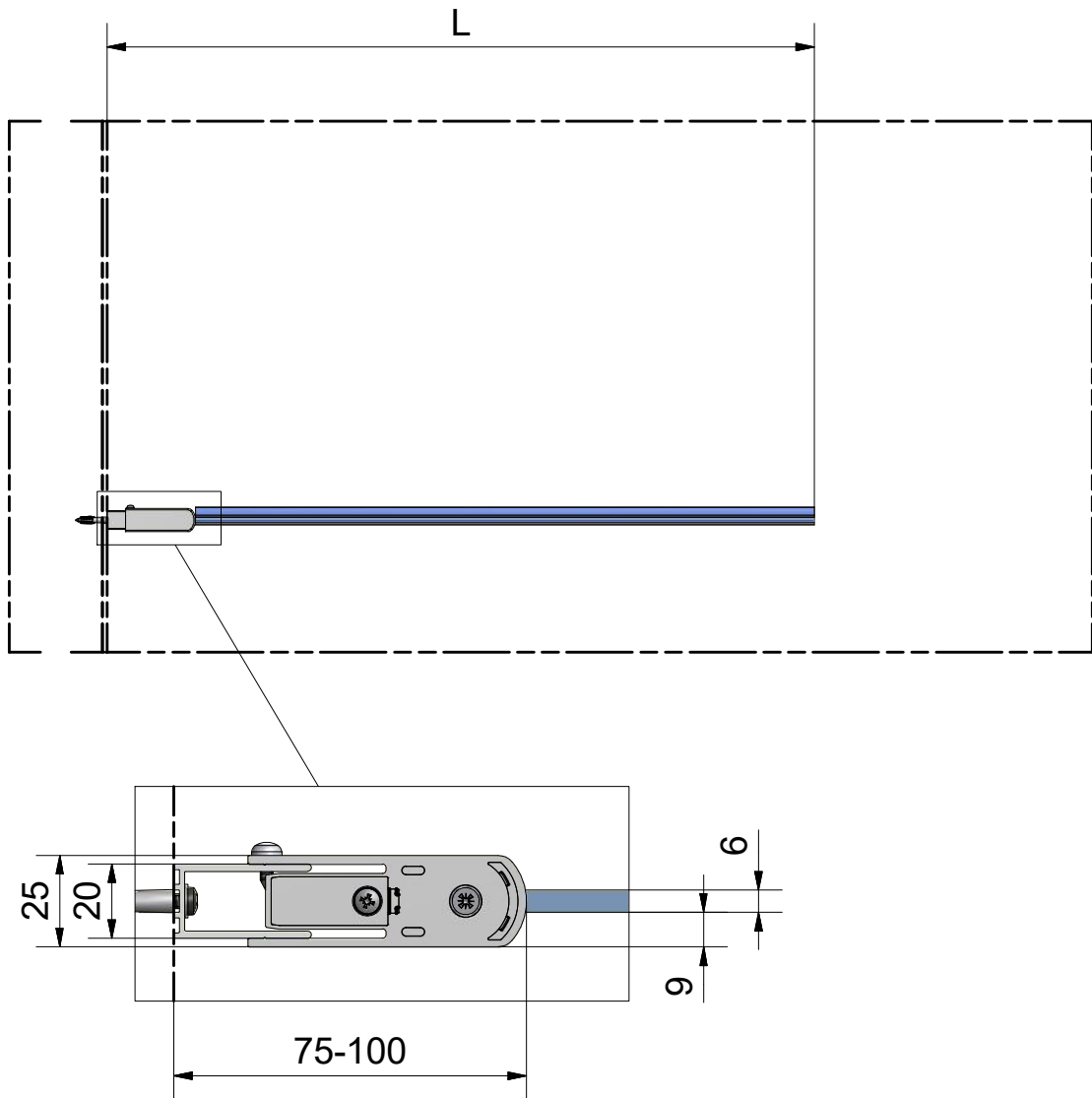
4. P6318

POS.	PREVIEW
4.1	
4.2	
4.3	3x 
4.4	3x 
4.5	
4.6	3x 
4.7	3x 
4.8	3x 
4.9	
4.10	
4.11	
4.12	

POS.	PREVIEW	PCS	SPARE PART
1.1		2	MA9747





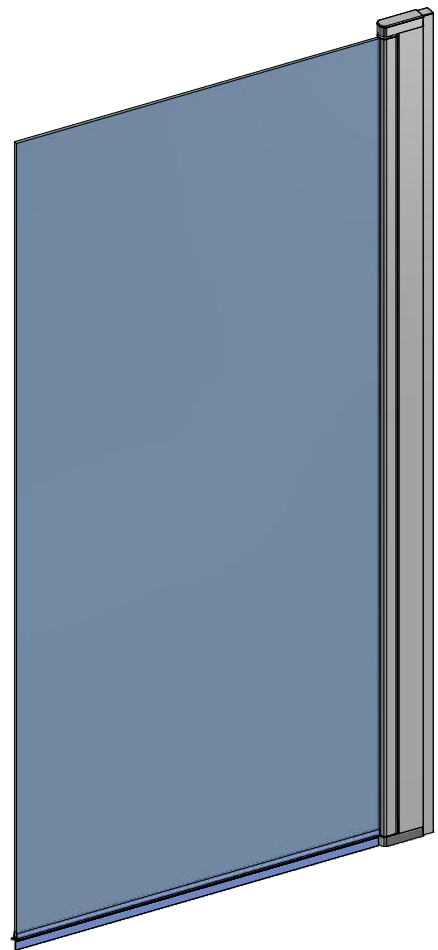


CI BAF		
ID	TYPE	L (mm)
CI BAE 075150 VPE	750	740-765

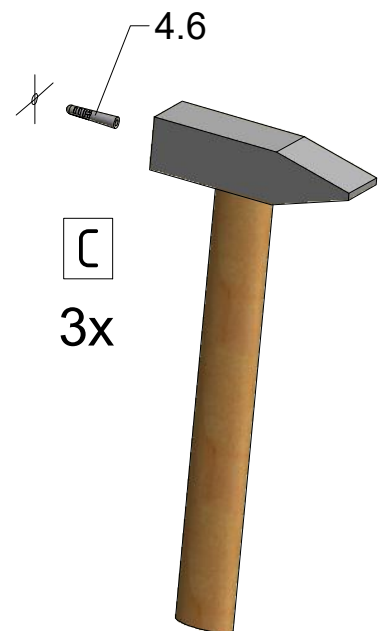
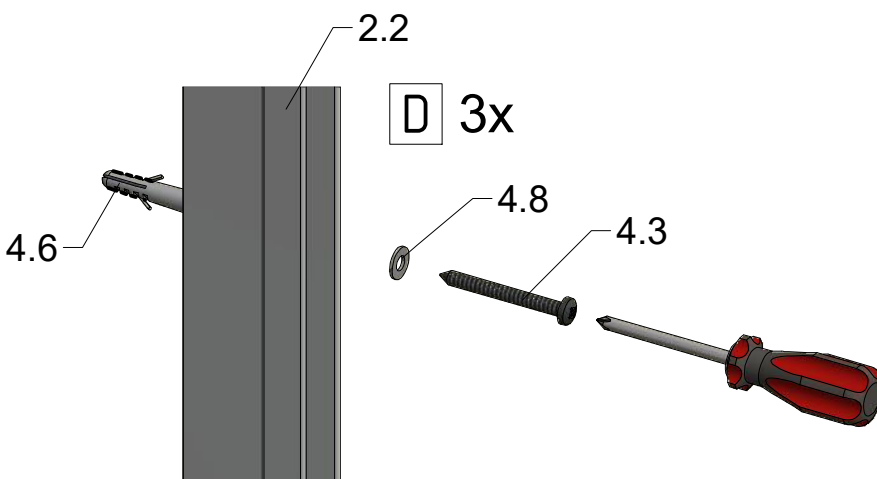
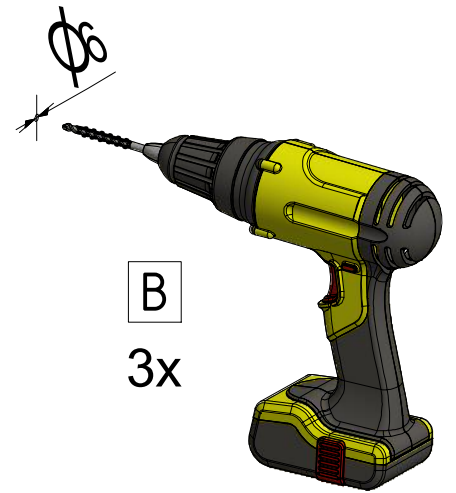
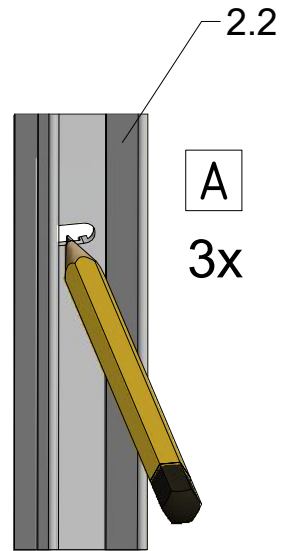
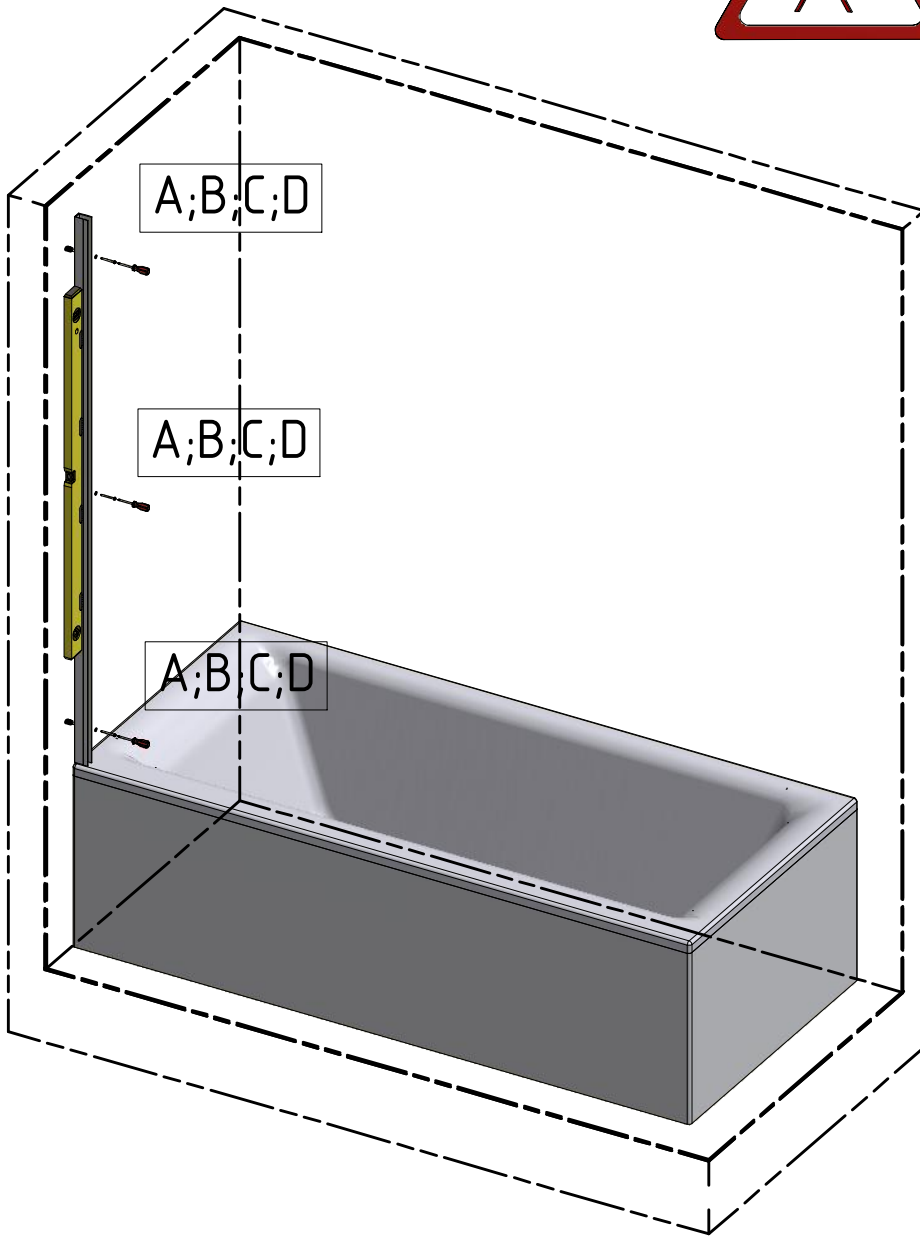
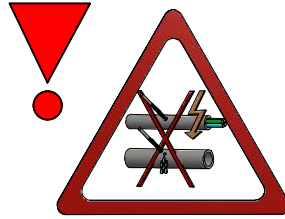
Next step in instructions is for left installation
(for right installation - proceed in a mirror image)

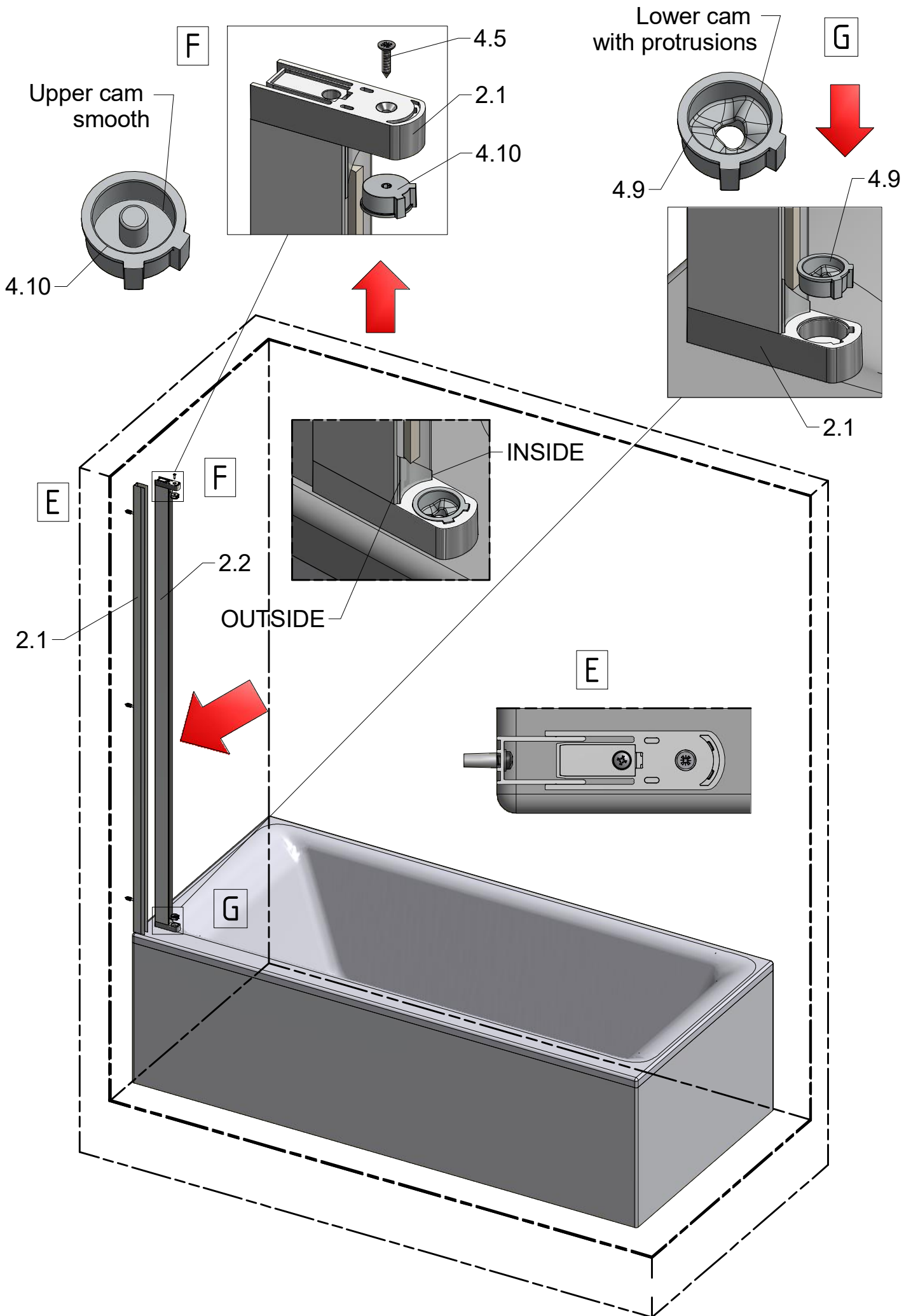


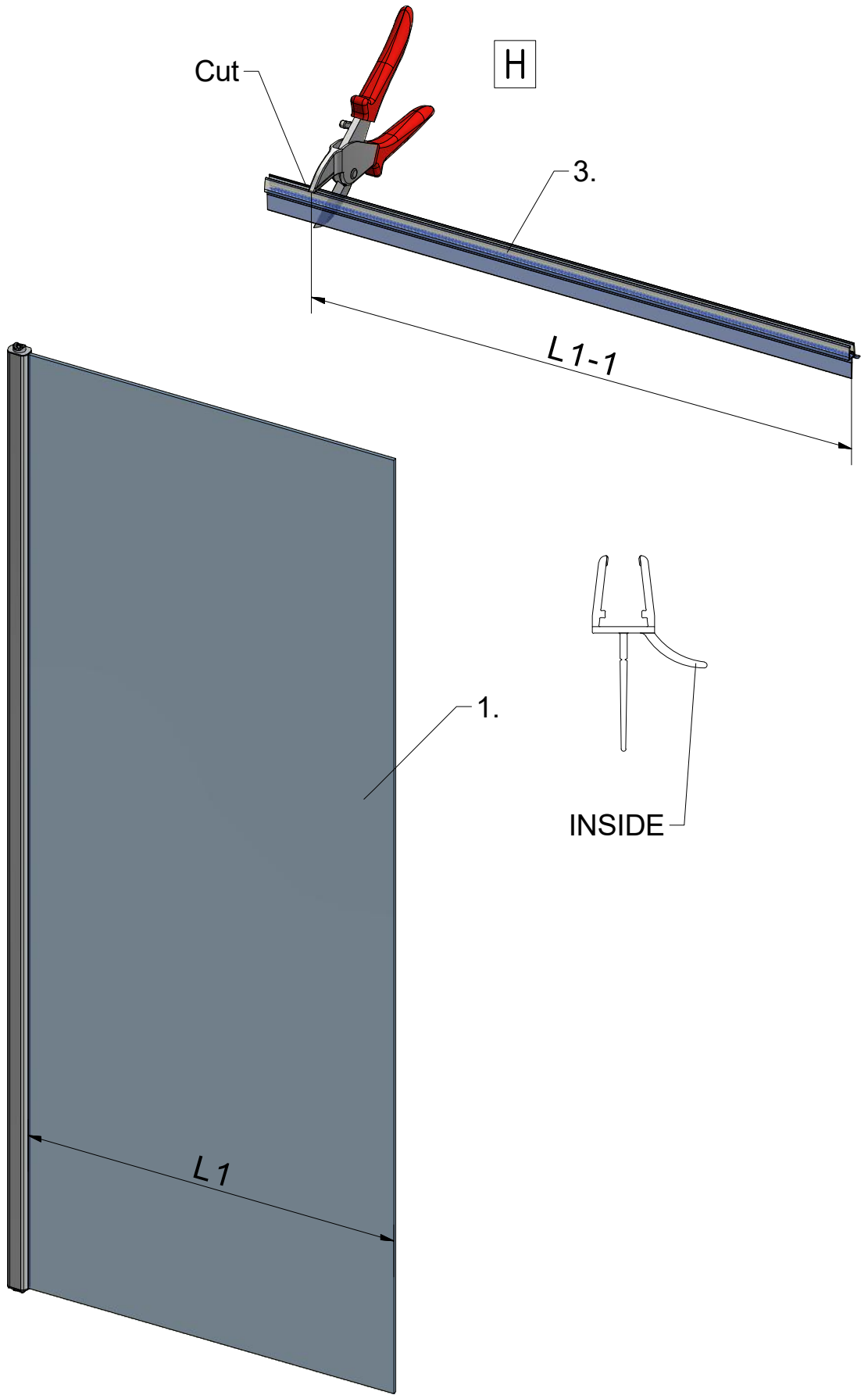
LEFT Installation

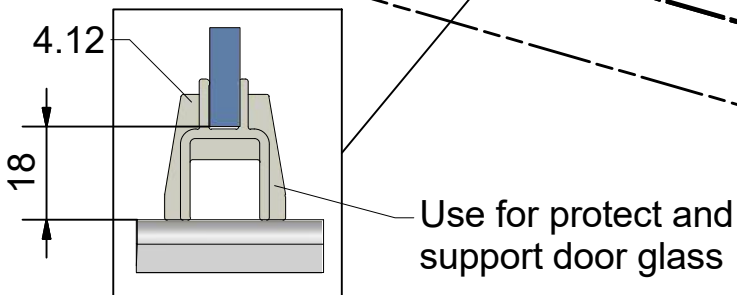
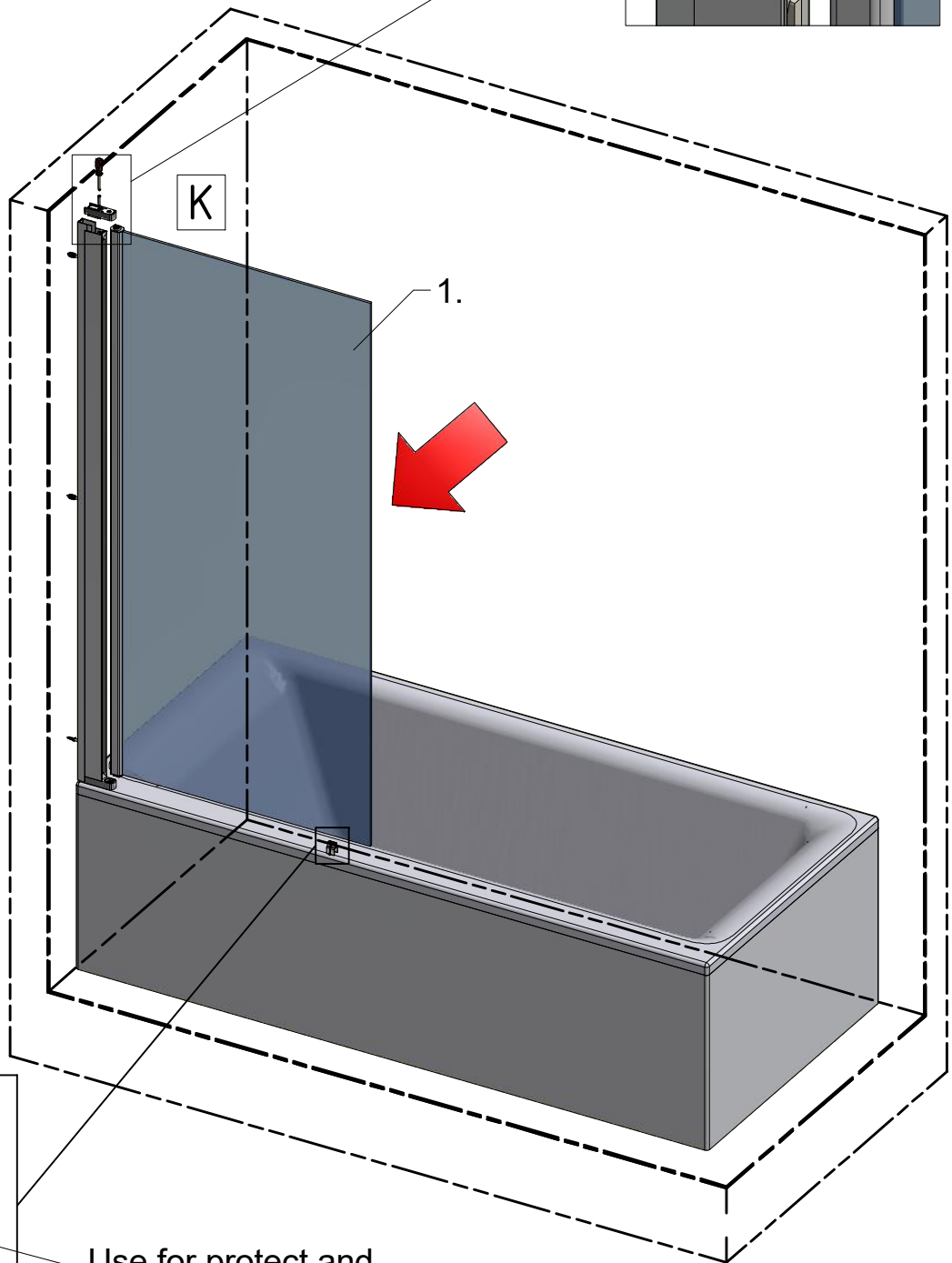
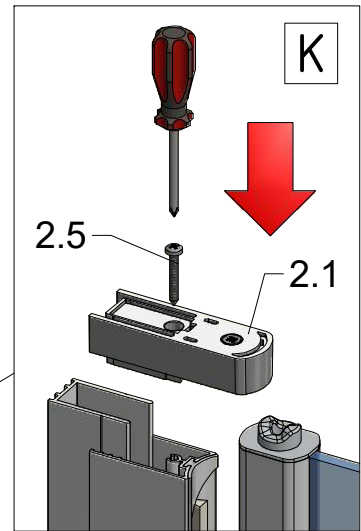
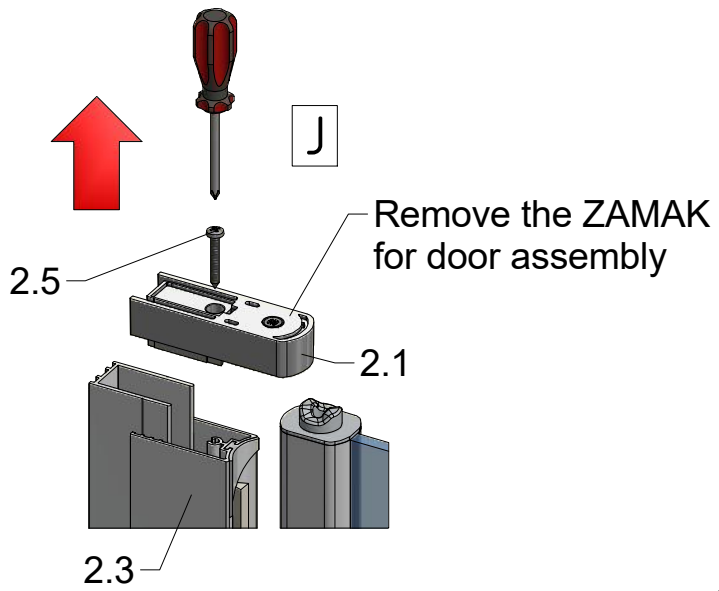


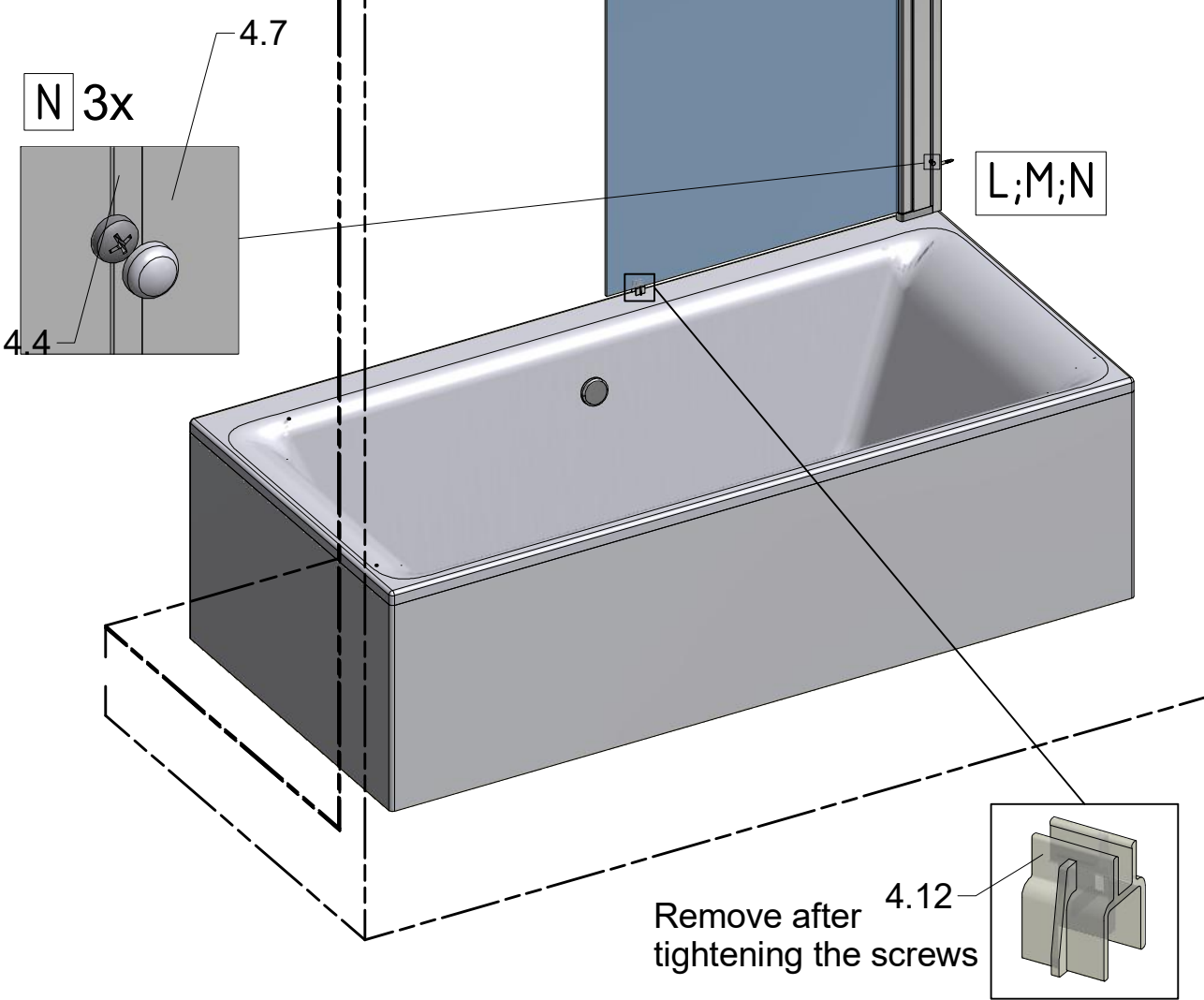
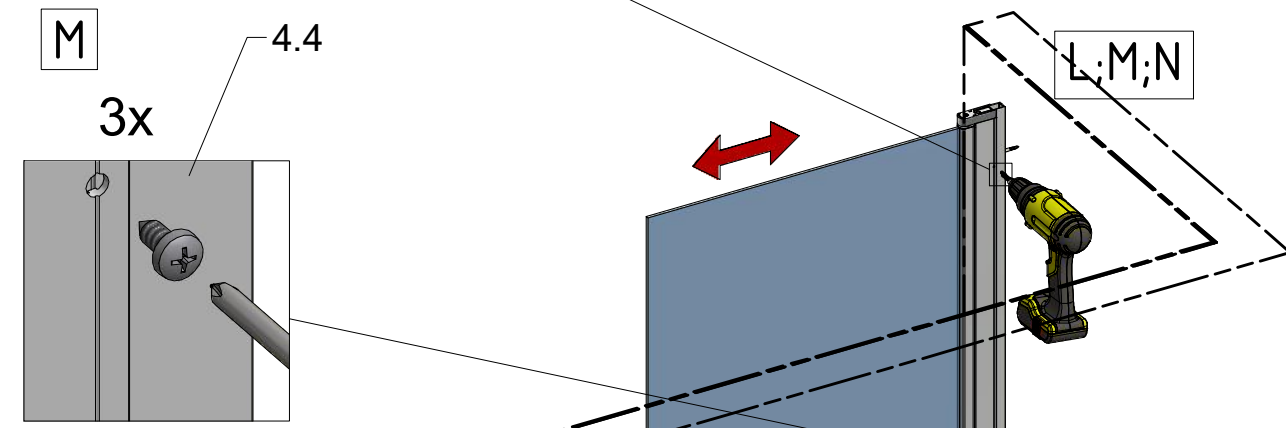
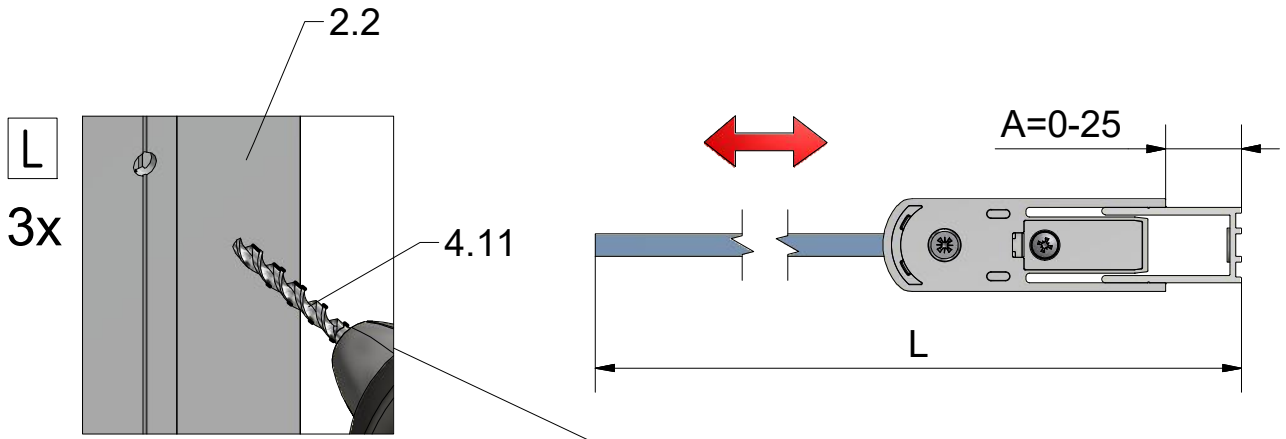
RIGHT Installation

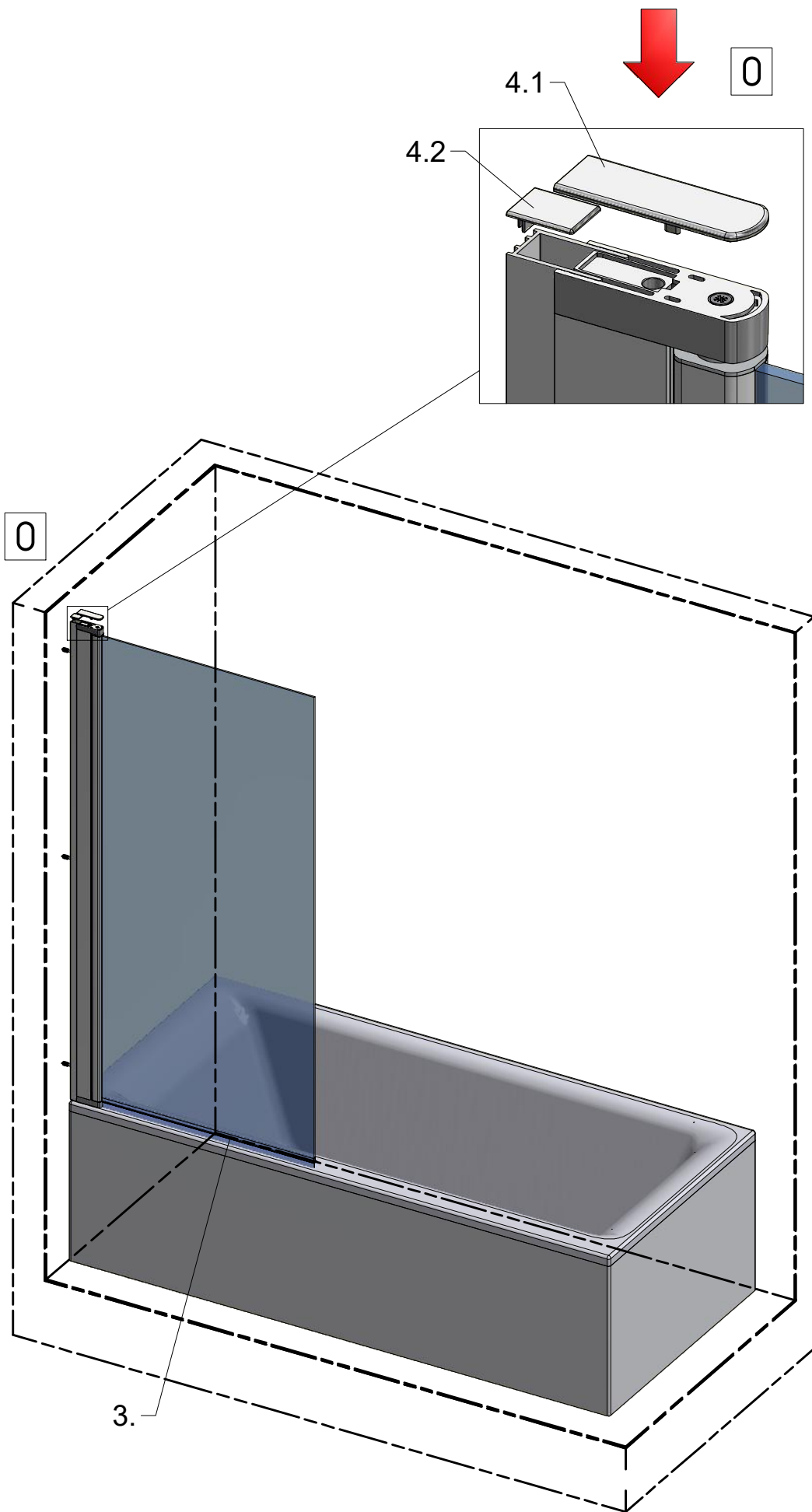






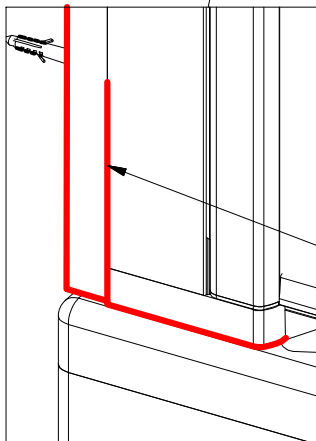
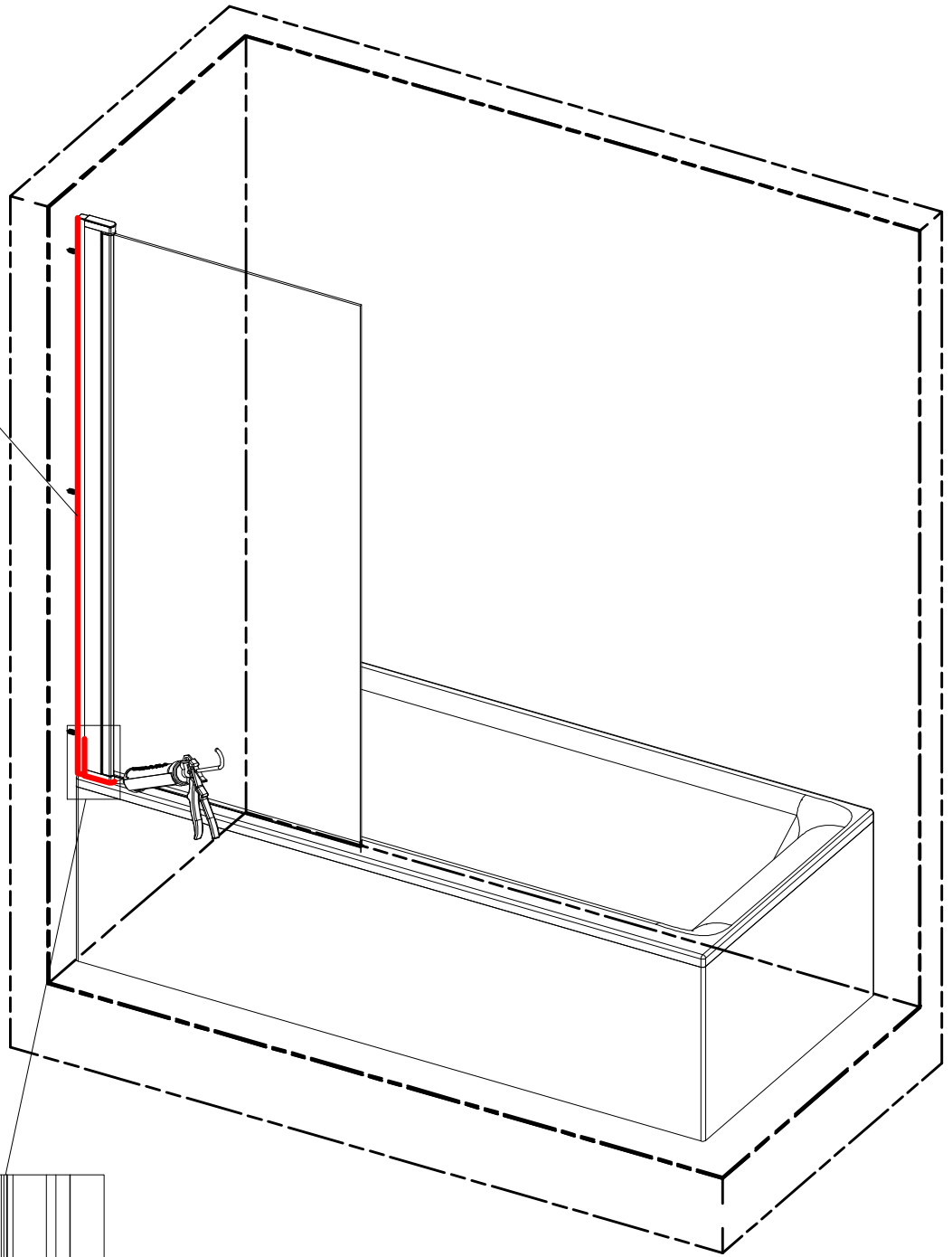




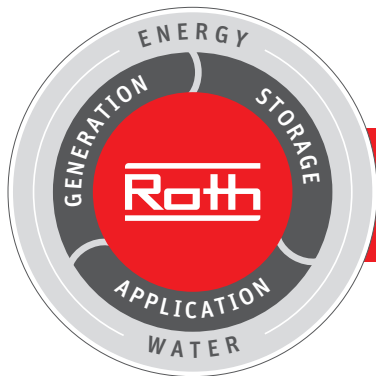




SILICONE



SILICONE
MIN 100mm



Roth Energy and Sanitary Systems

Generation

- Solar systems <
- Heat pump systems <

Storage

- Storage systems for Domestic & heating water <
- Combustibles and biofuels <
- Rainwater and waste water <

Application

- > Radiant heating and cooling systems
- > Pipe installation systems
- > Shower system

Roth

■ Deutschland

ROTH WERKE GMBH

Am Seerain 2
35232 Dautphetal
Telefon: 06466/922-0
Telefax: 06466/922-100
E-Mail: service@roth-werke.de
www.roth-werke.de

■ Czech Republic

Roth Czech s.r.o.

Třebořov 160
569 33 Třebořov
Tel.: +420 461 353 611
E-Mail: objednavky@roth-czech.cz
www.roth-czech.cz

■ France

ROTH FRANCE

CS 20090
78, rue Ampère - ZI
77465 Lagny sur Marne Cedex
Tél.: +420 461 353 611
www.roth-france.fr