

Sanitary Systems

**Roth Cariba CI C2L / CI C2R**

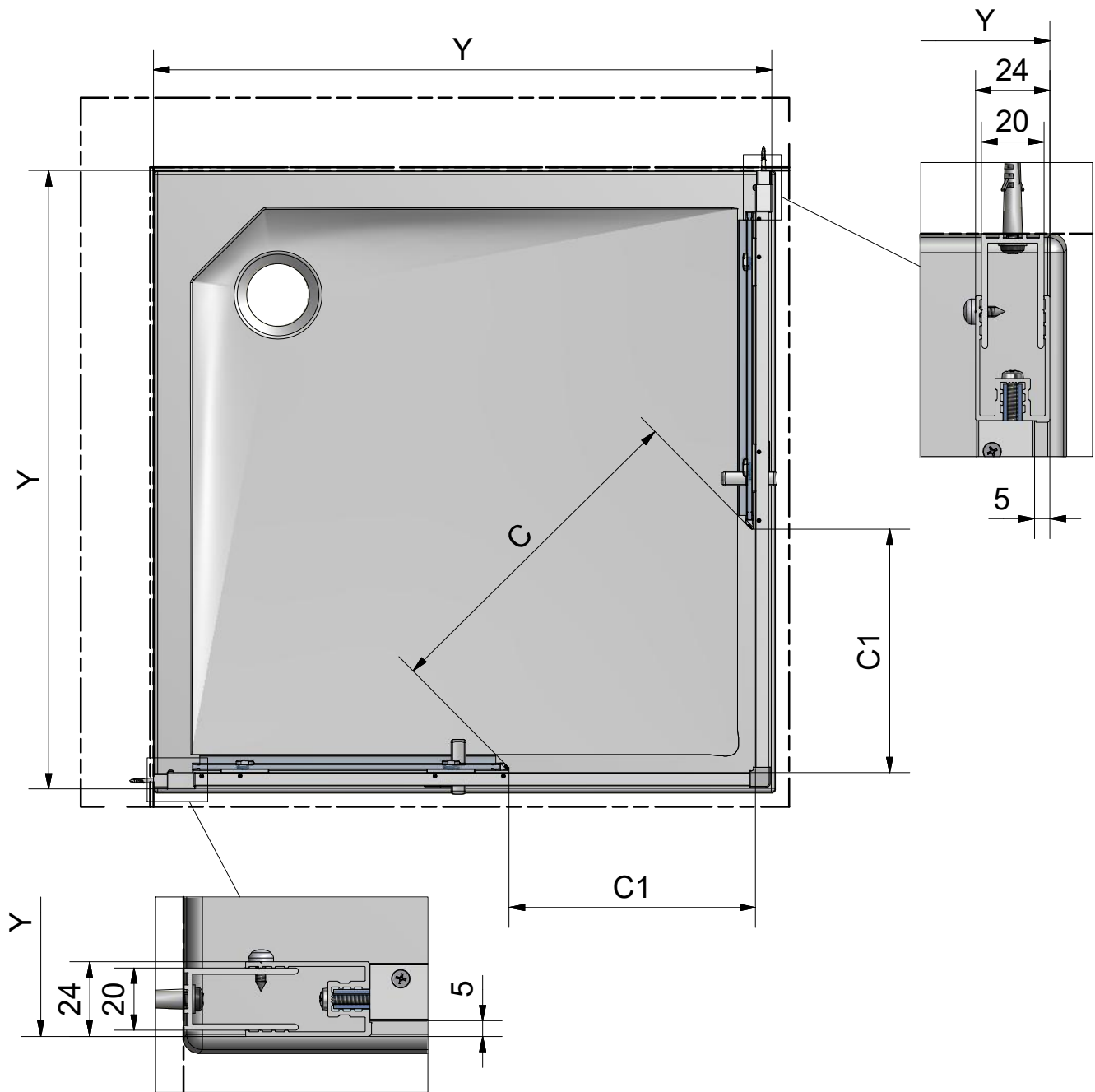
**Roth**

**Assembling Instruction  
Montageanleitung  
Notice de montage  
Montážní návod**



*Shower for life*

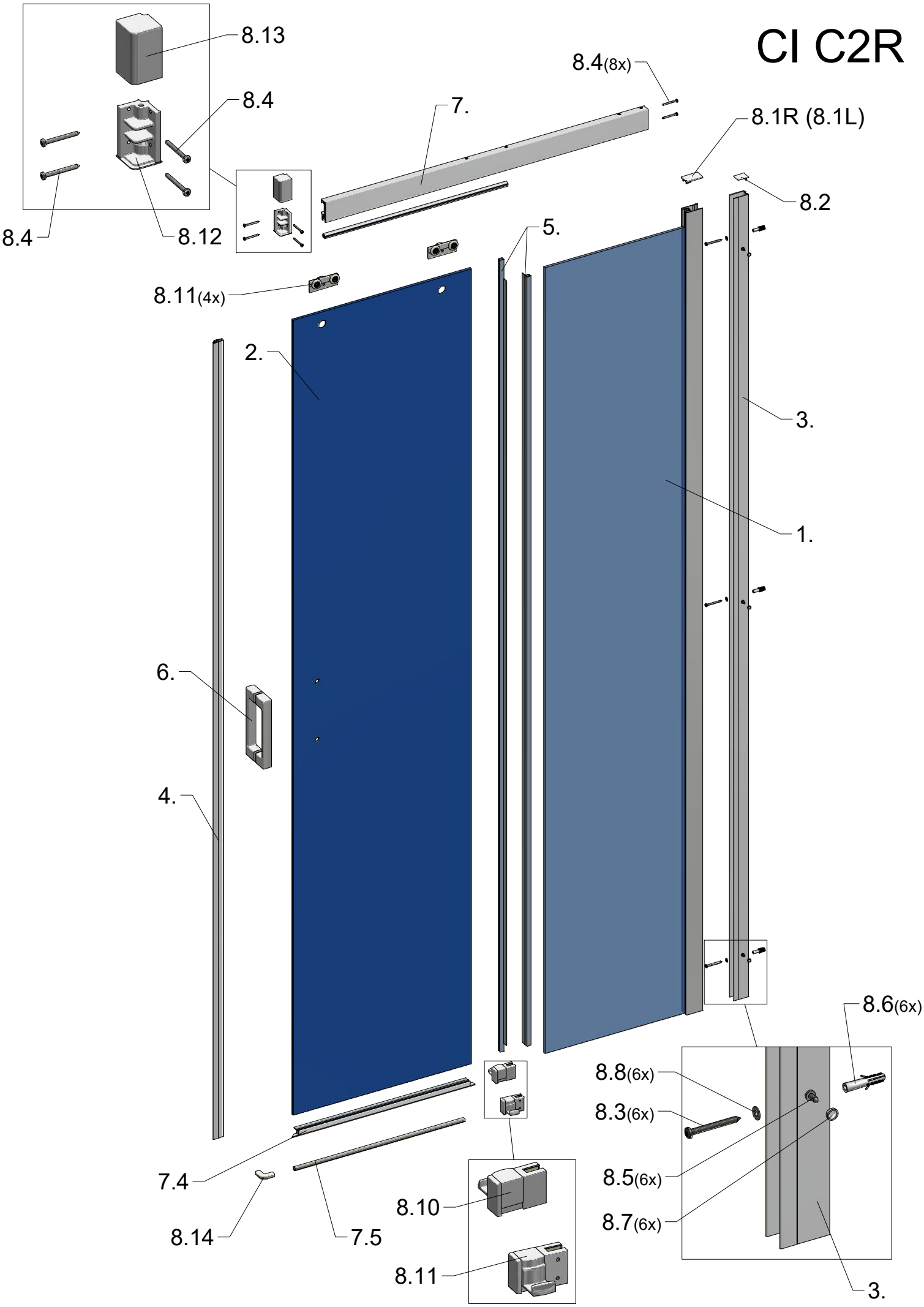
# CI C2L + CI C2R



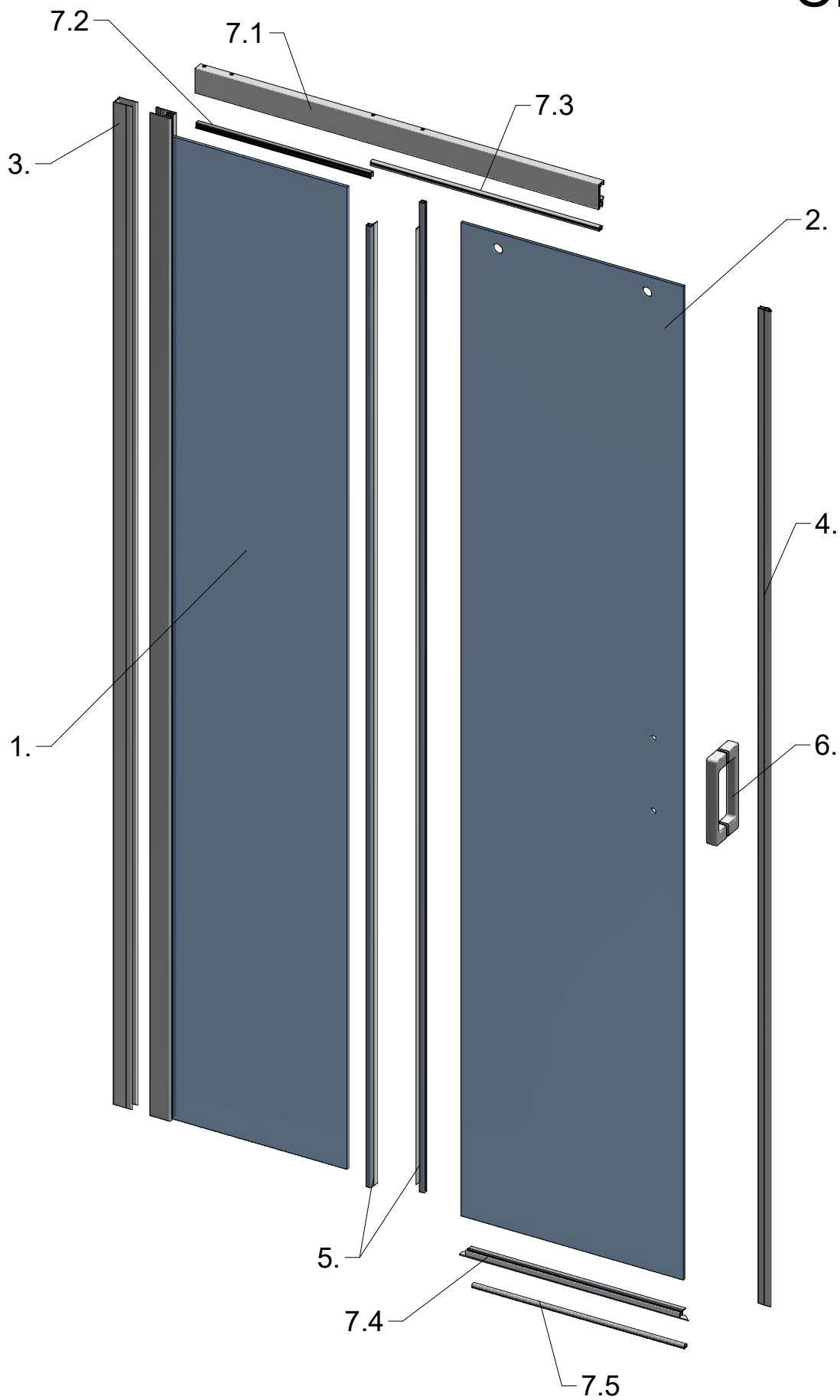
CI C2L + CI C2R		
TYPE	C1 (mm)	Y (mm)
800	305	775-800
900	355	875-900
1000	405	975-1000
1100	455	1075-1100
1200	505	1175-1200

CI C2L + CI C2R	
TYPE	C (mm)
800x800	428
900x900	498
1000x1000	569
1100x1100	640
1200x1200	710

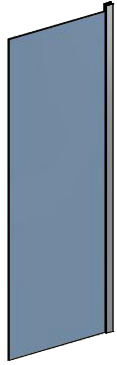


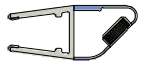


# CI C2R



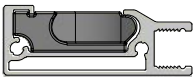

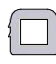


# CI C2L



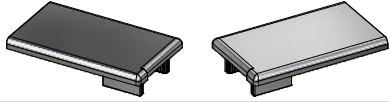
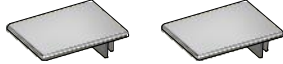






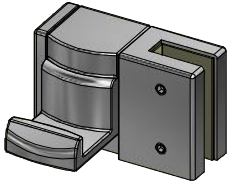
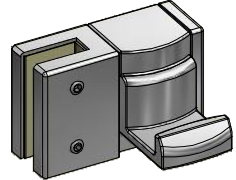
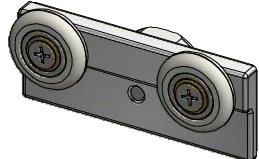
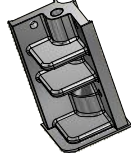
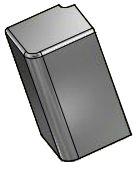

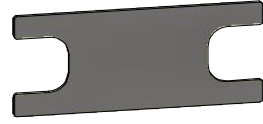

## CI C2R VPE

POS.	PREVIEW	PCS	SPARE PART
1.		1	V302
2.		1	V303
3.		1	P5941
4.		1	P6134
5.		2	P6127
6.		1	MA9198
7.	RAIL,STOPS, SEALS	1	P315
8.	ACCESSORIES	1	P6145

## 7. P315




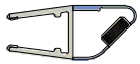


POS.	PREVIEW	PCS	SPARE PART
7.1		1	RAIL+STOPS
7.2		1	
7.3		1	
7.4		1	P6121
7.5		1	P6133

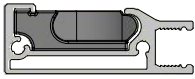
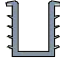



## 8. P6145

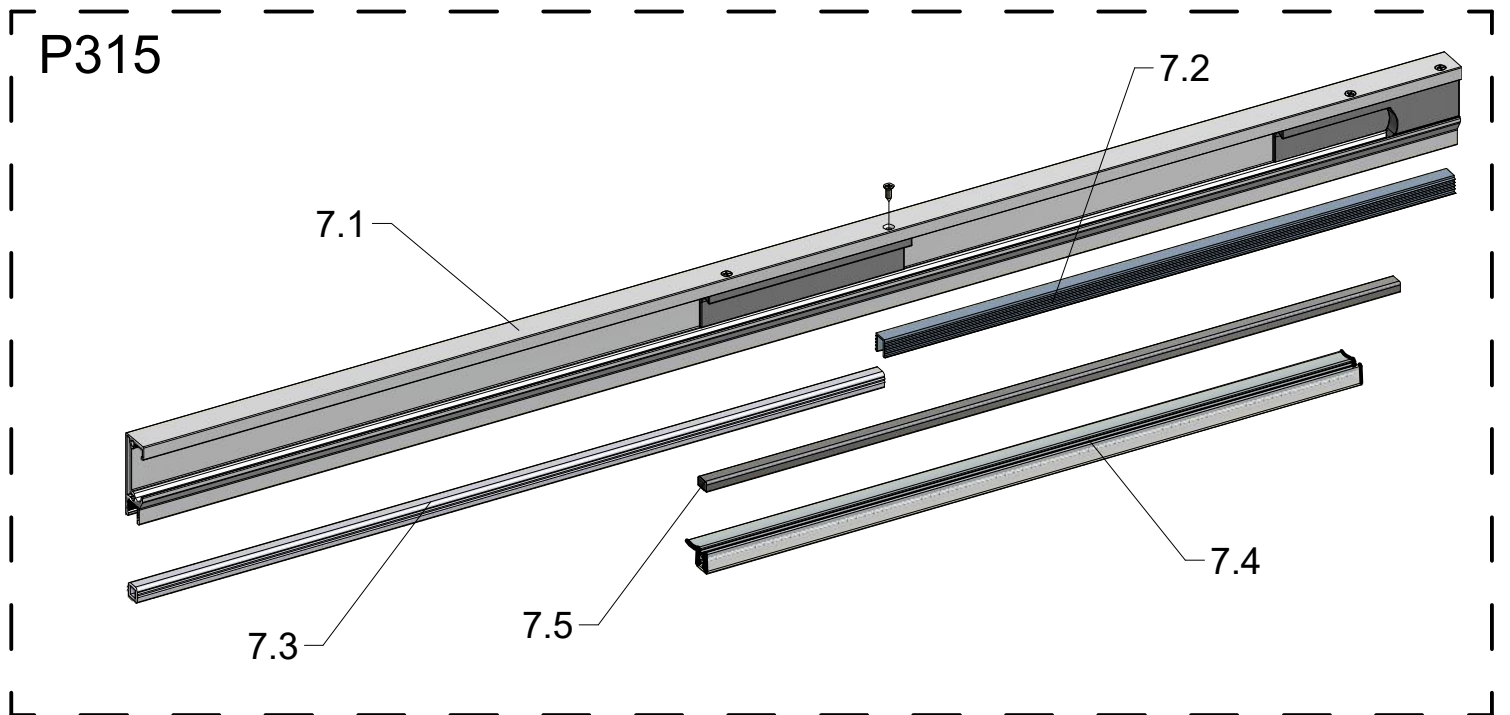
POS.	PREVIEW
8.1	1xL + 1xR 
8.2	2x 
8.3	6x ST3,9 
8.4	8x ST3,5 
8.5	6x 
8.6	6x 
8.7	6x 
8.8	6x 
8.9	MB1120 
8.10	MB1119 
8.11	4x MB1157 
8.12	
8.13	
8.14	
8.15	
8.16	

# CI C2L VPE

# 7. P315

POS.	PREVIEW	PCS	SPARE PART
1.		1	V302
2.		1	V303
3.		1	P5941
4.		1	P6134
5.		2	P6127
6.		1	MA9198
7.	RAIL, STOPS, SEALS	1	P315

POS.	PREVIEW	PCS	SPARE PART
7.1		1	RAIL+STOPS
7.2		1	
7.3		1	
7.4		1	P6121
7.5		1	P6133



## 1. V302

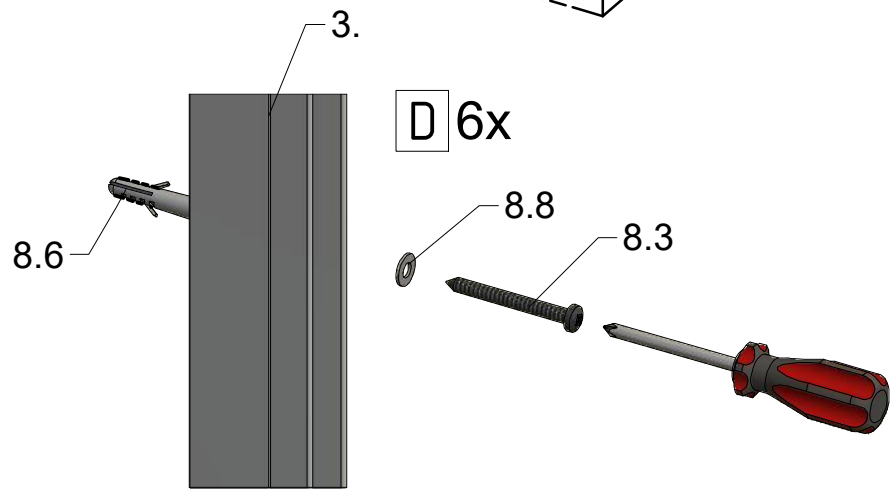
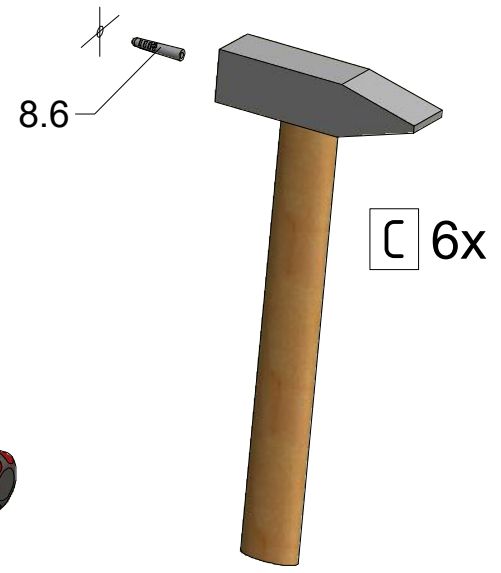
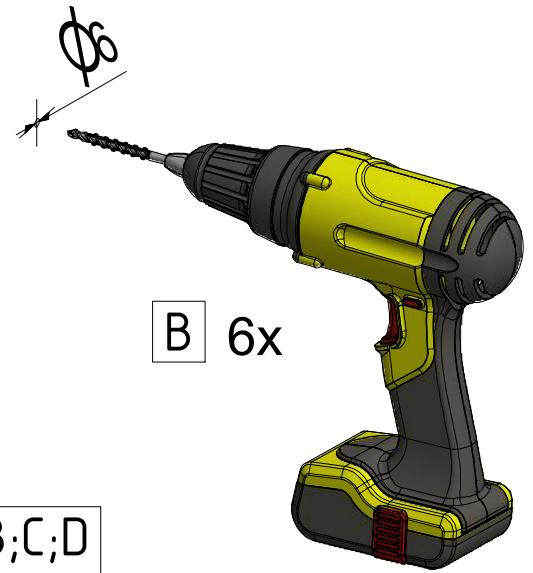
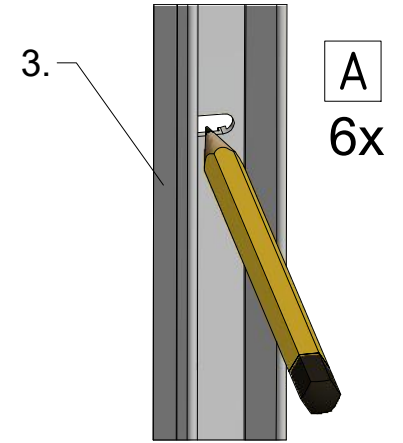
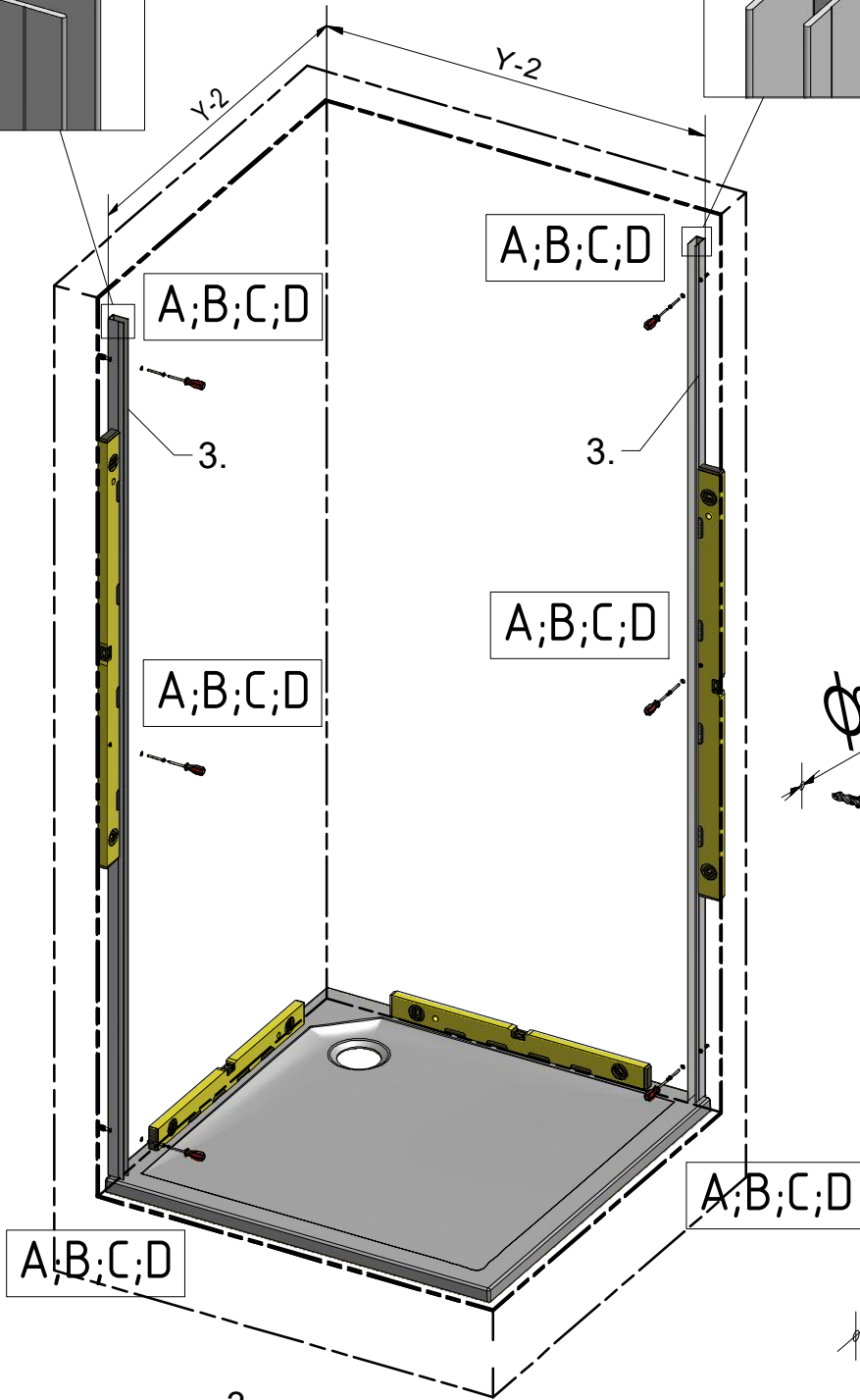
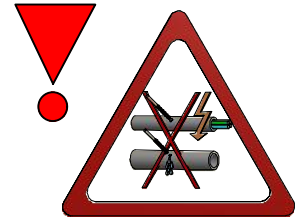
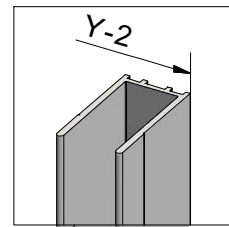
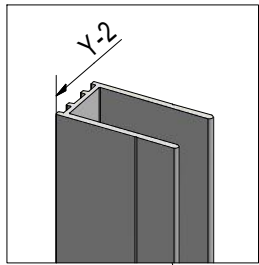
SIZE	GLASS + PROFILE	SPARE PART
C2L 800	clear glass+brillant	ND03-0955-00-02
C2L 900	clear glass+brillant	ND03-0956-00-02
C2L 1000	clear glass+brillant	ND03-0957-00-02
C2L 1100	clear glass+brillant	ND03-0958-00-02
C2L 1200	clear glass+brillant	ND03-0959-00-02
C2R 800	clear glass+brillant	ND03-0960-00-02
C2R 900	clear glass+brillant	ND03-0961-00-02
C2R 1000	clear glass+brillant	ND03-0962-00-02
C2R 1100	clear glass+brillant	ND03-0963-00-02
C2R 1200	clear glass+brillant	ND03-0964-00-02

## 2. V303

SIZE	GLASS	SPARE PART
800	clear glass	ND02-0944-02
900	clear glass	ND02-0945-02
1000	clear glass	ND02-0946-02
1100	clear glass	ND02-0947-02
1200	clear glass	ND02-0948-02

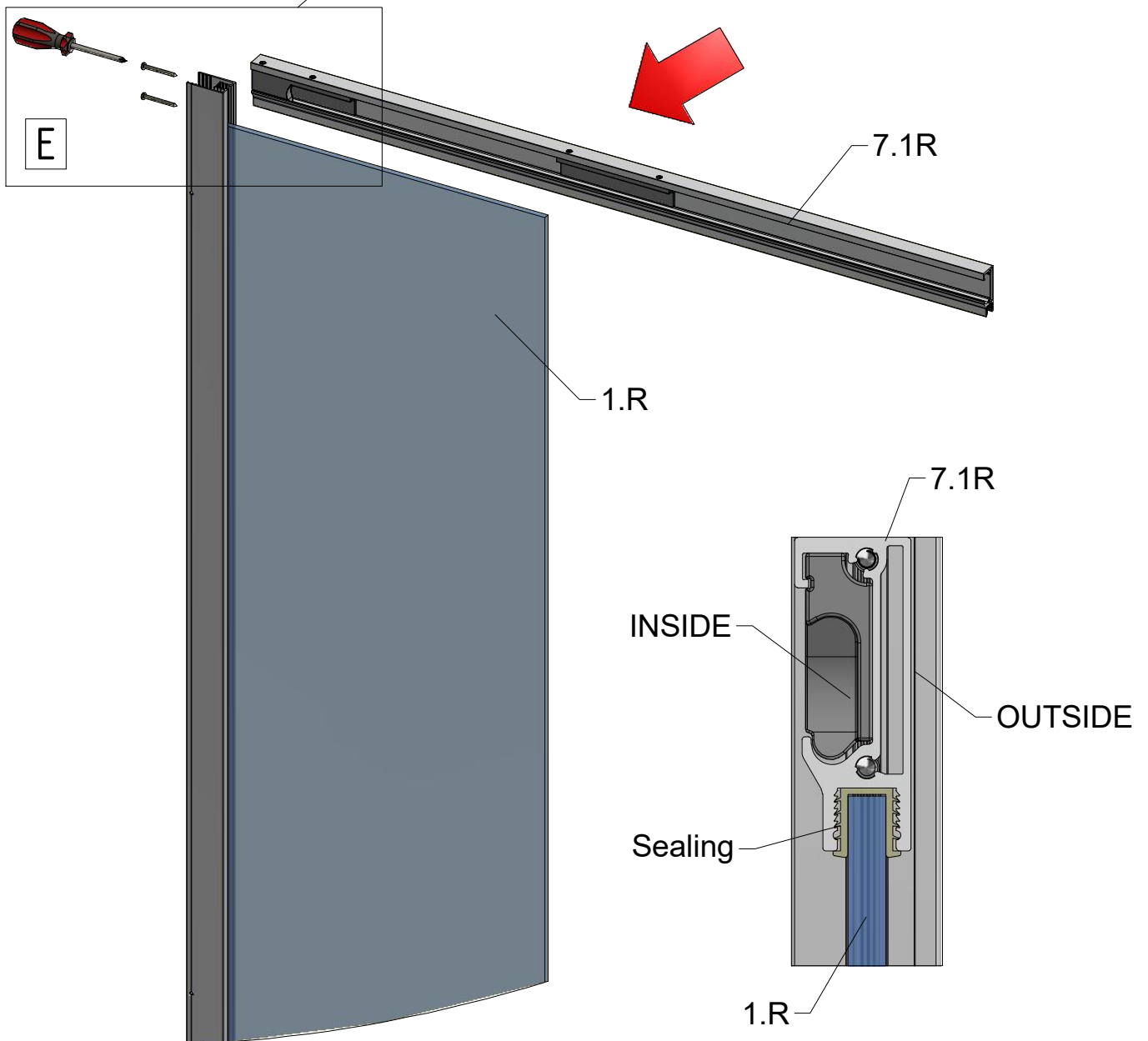
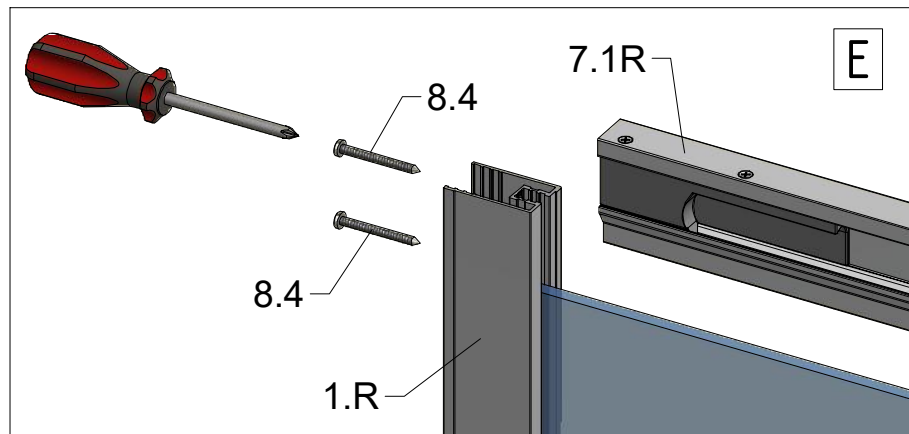
## 7. P315

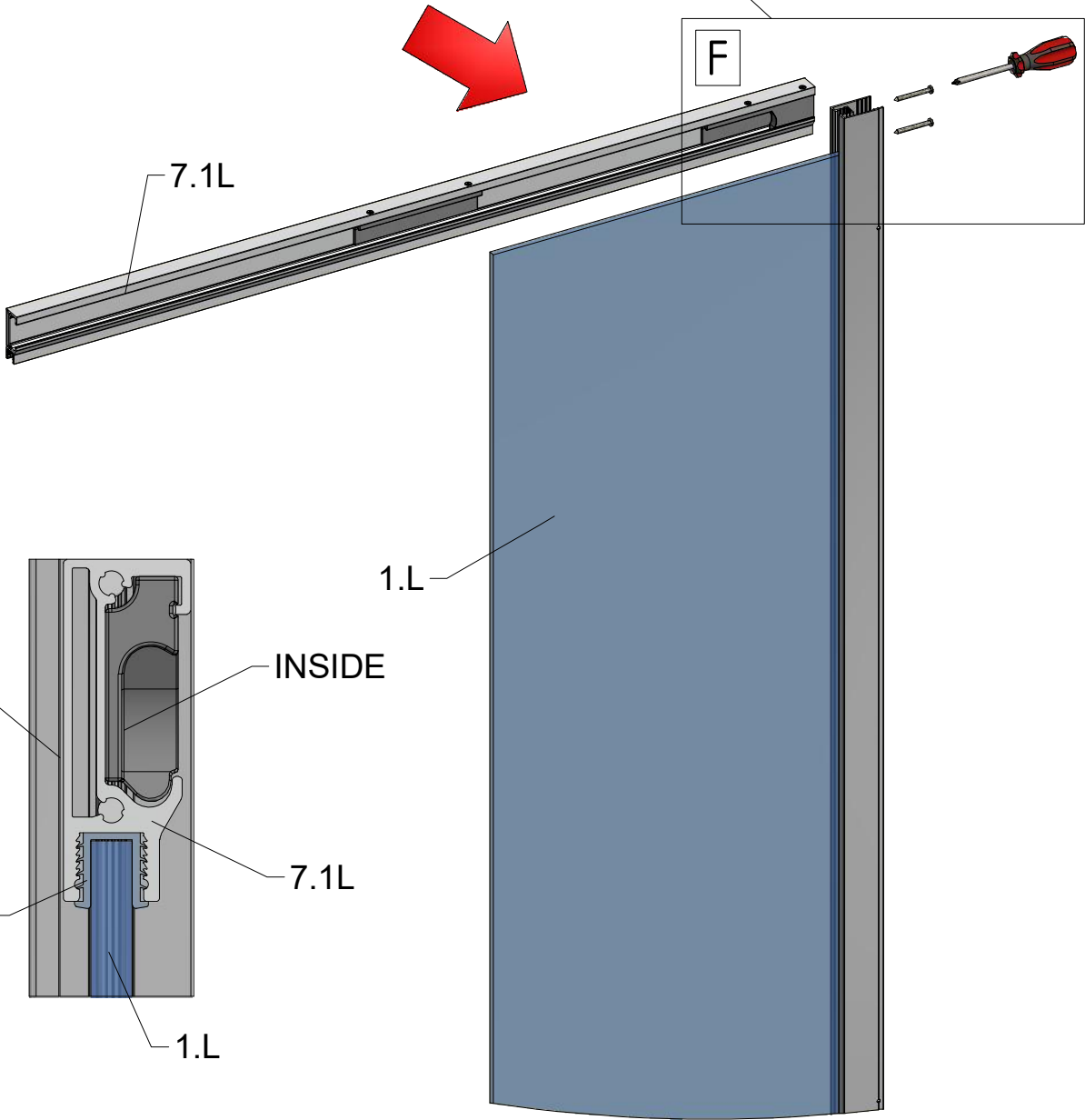
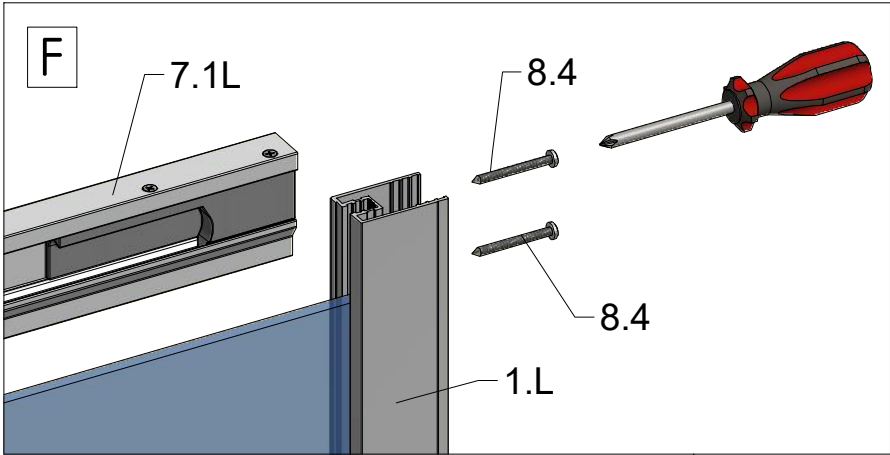
SIZE	PROFILE	SPARE PART
C2L 800	brillant	P6210
C2L 900	brillant	P6212
C2L 1000	brillant	P6214
C2L 1100	brillant	P6216
C2L 1200	brillant	P6218
C2R 800	brillant	P6211
C2R 900	brillant	P6213
C2R 1000	brillant	P6215
C2R 1100	brillant	P6217
C2R 1200	brillant	P6219

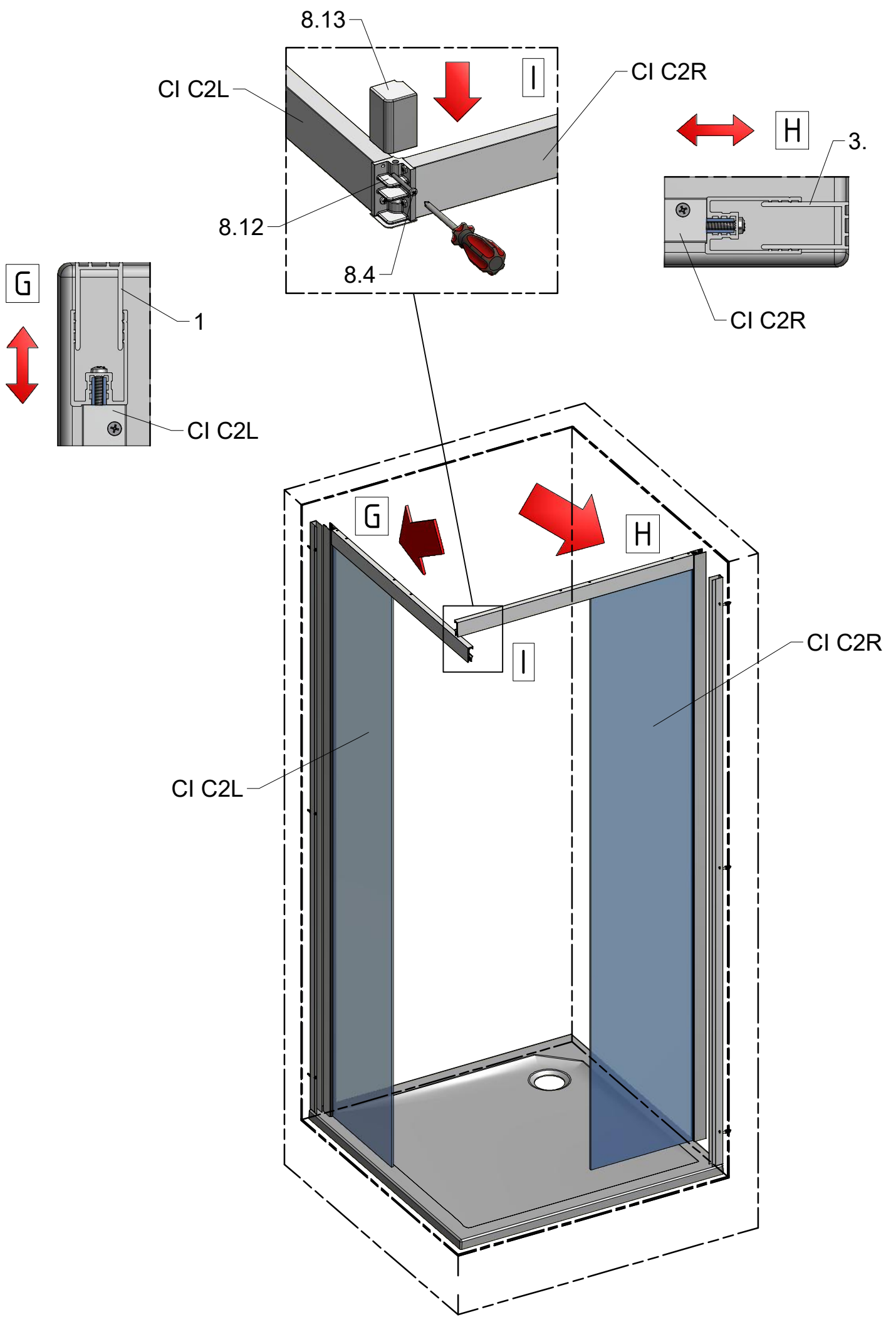




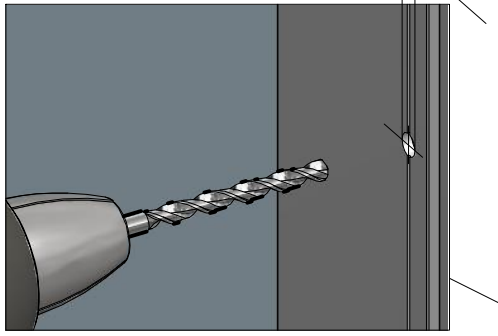
# CI C2R



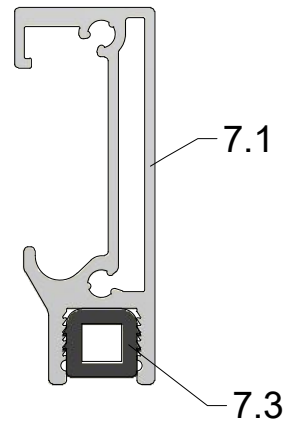




J 3x



M  
2x



7.3

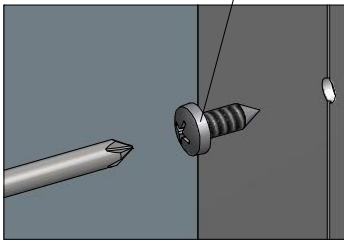
7.3

M



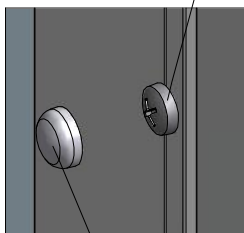
K 3x

8.5

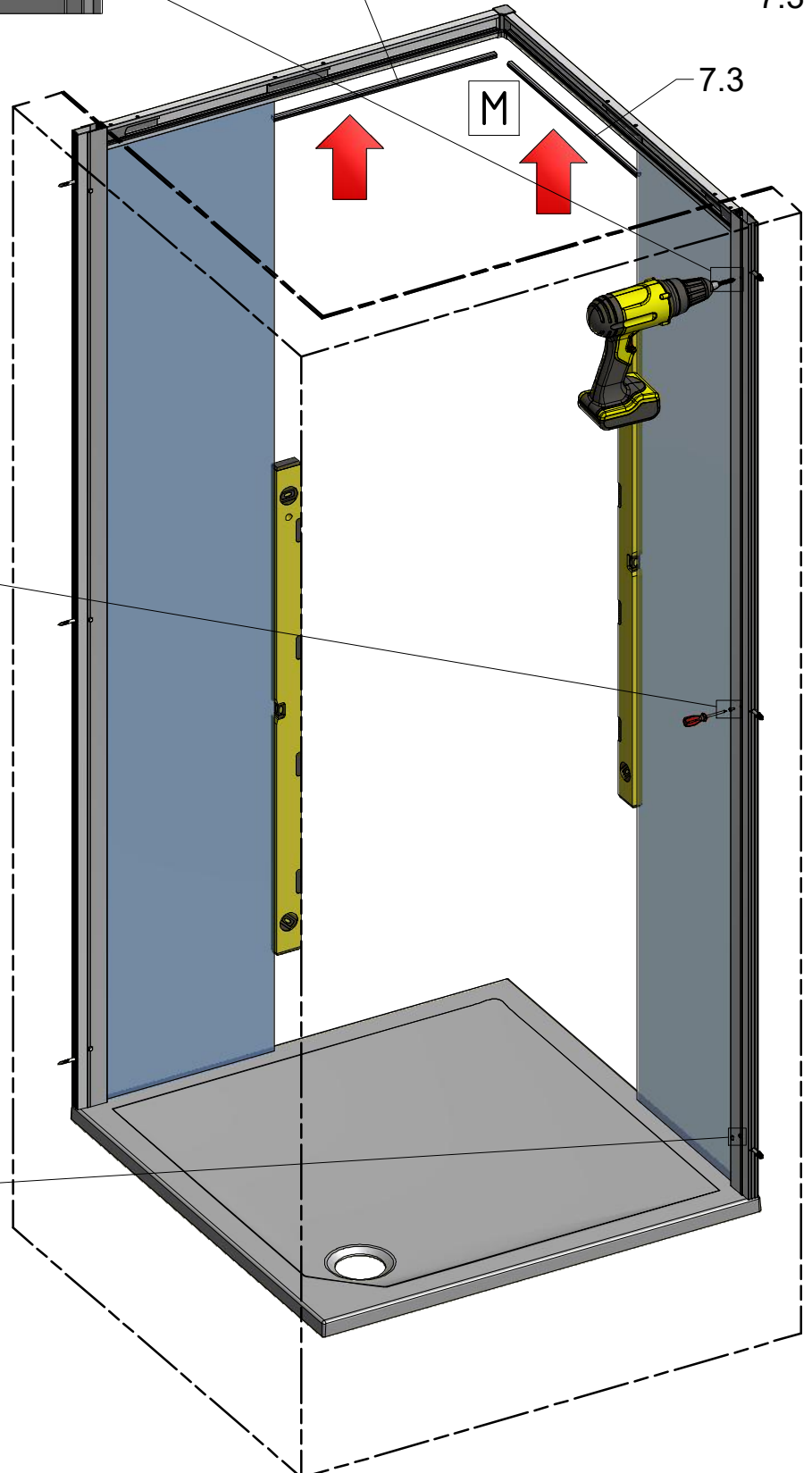


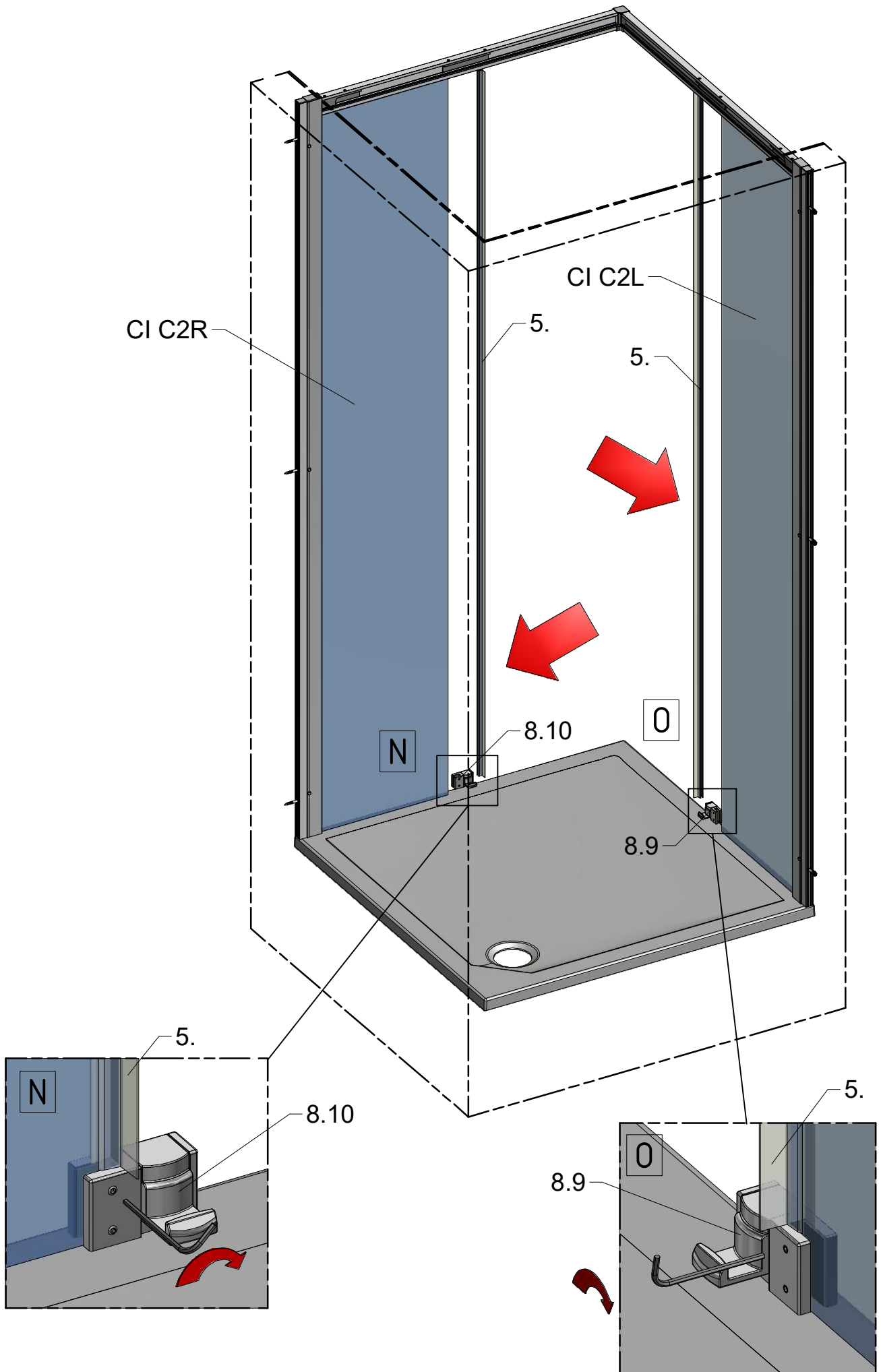
L 3x

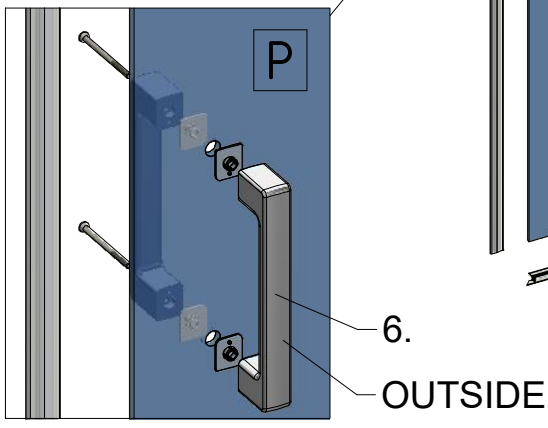
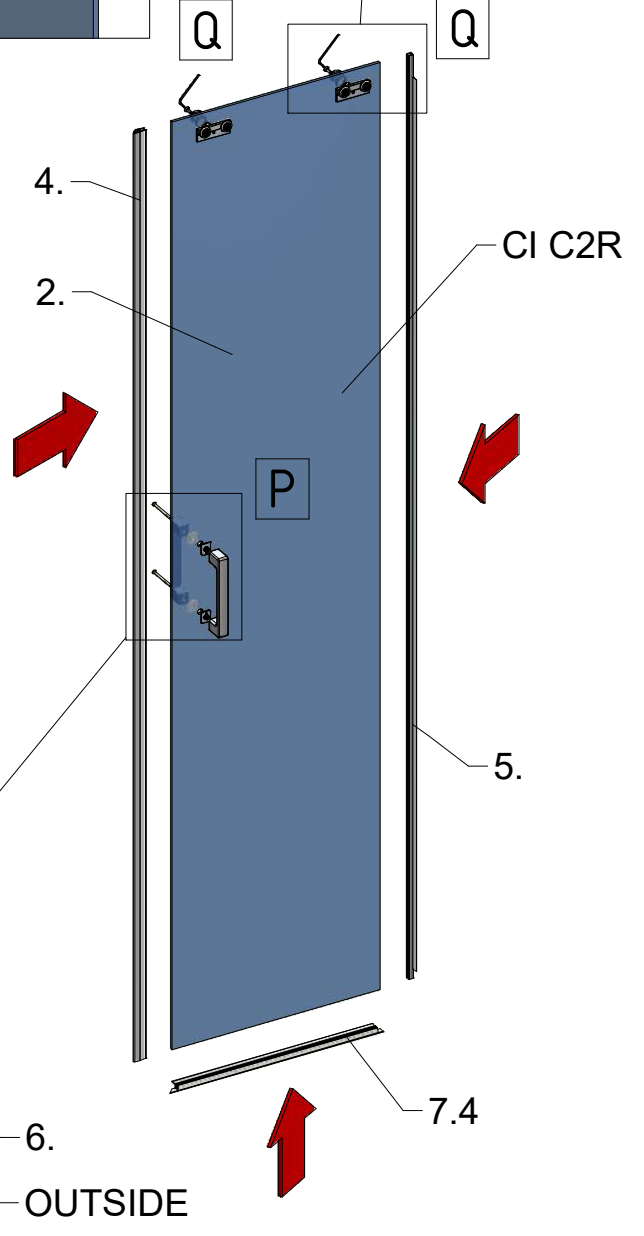
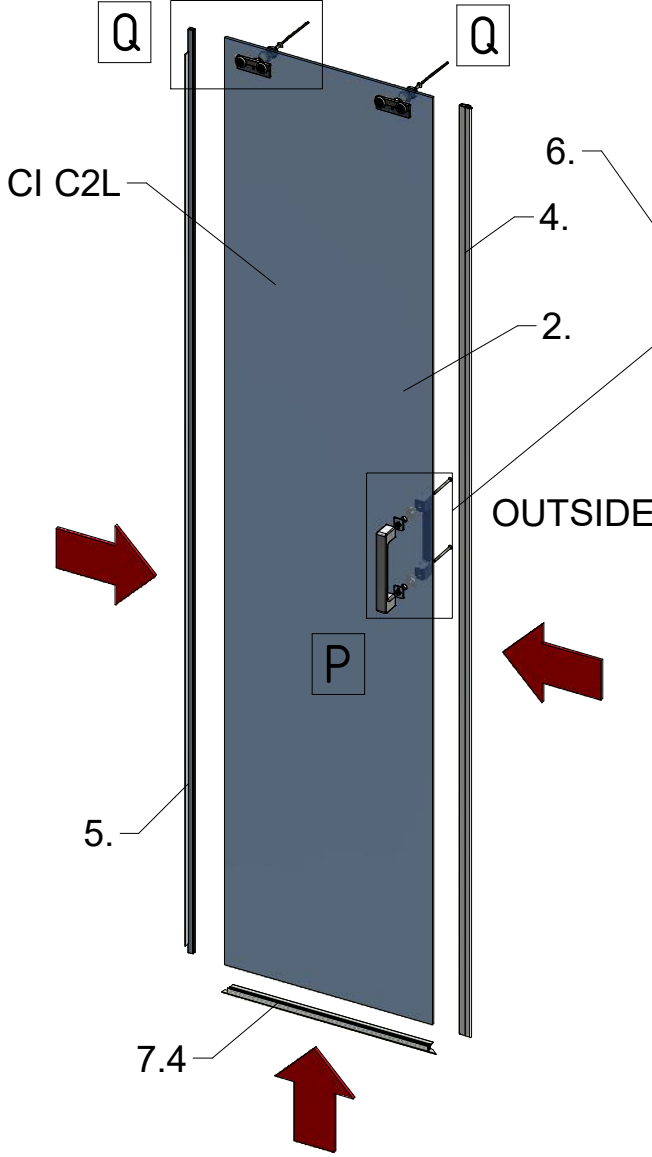
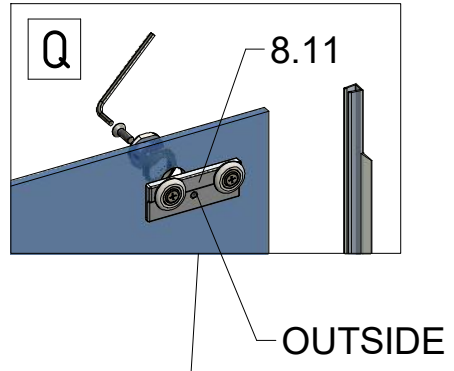
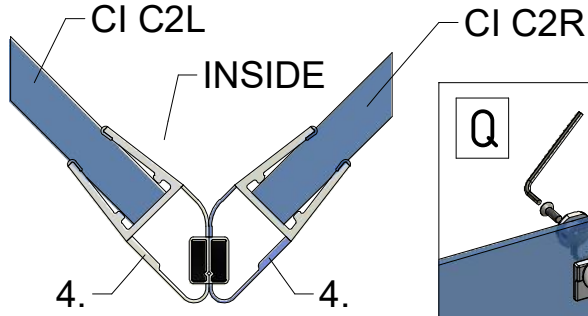
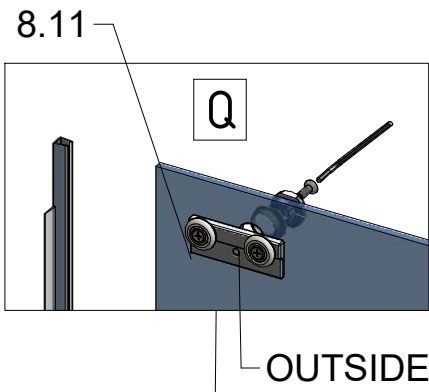
8.5

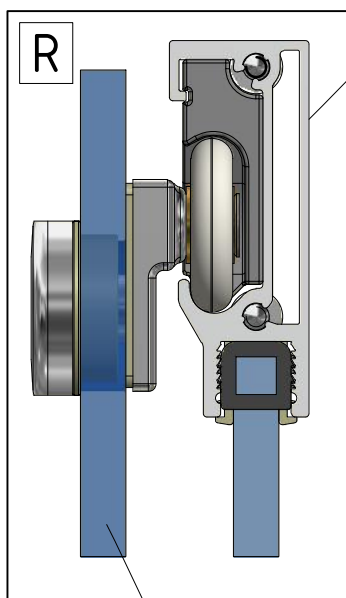


8.7



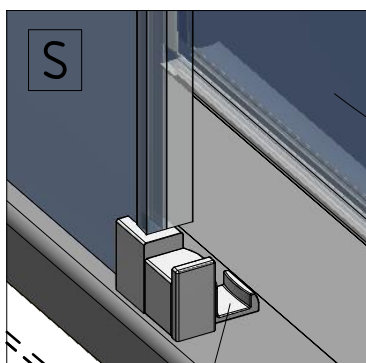
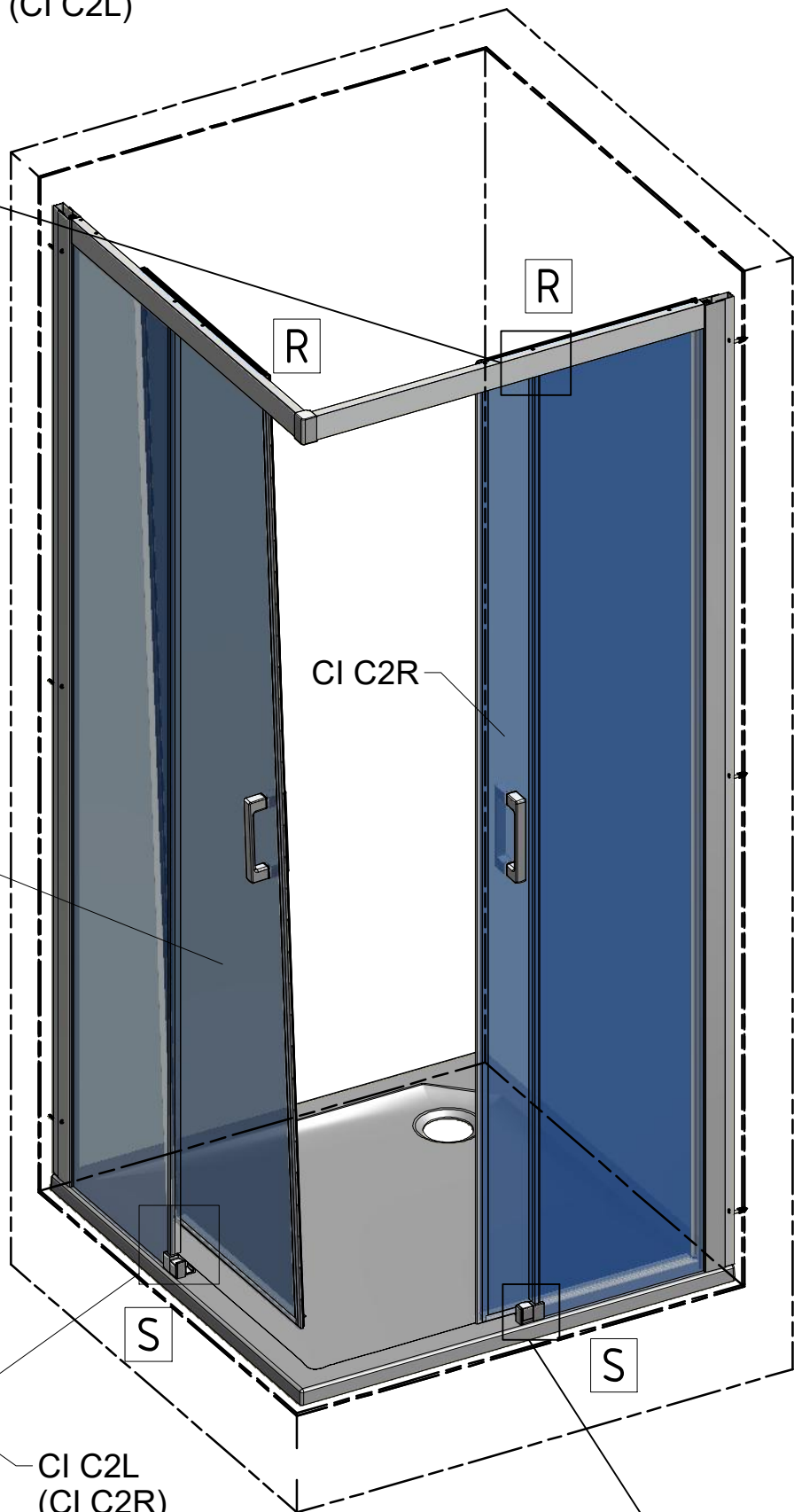






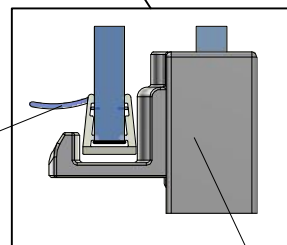
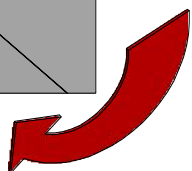
FIX  
CI C2R  
(CI C2L)

DOOR  
CI C2R  
(CI C2L)

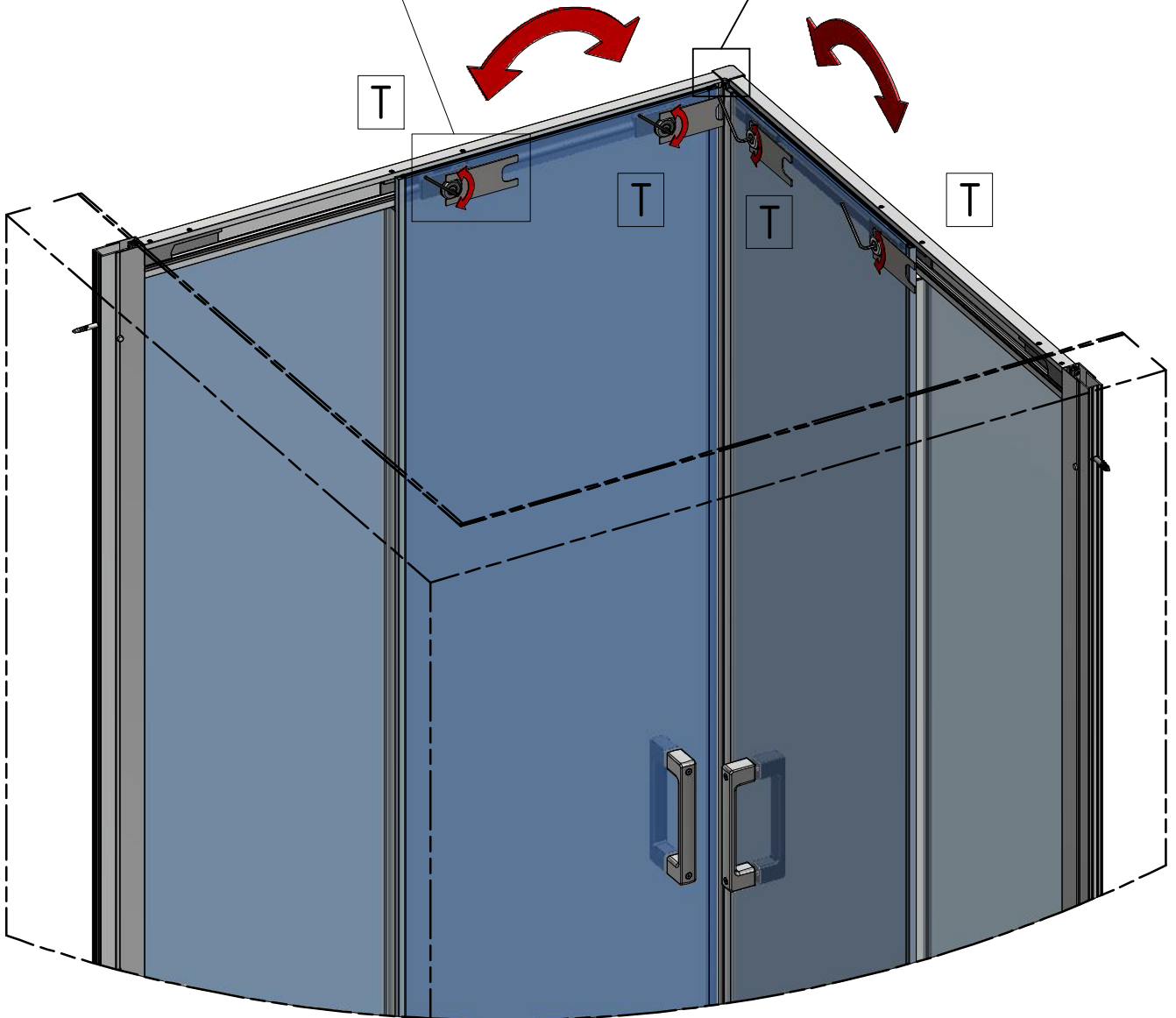
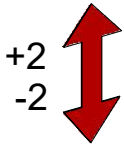
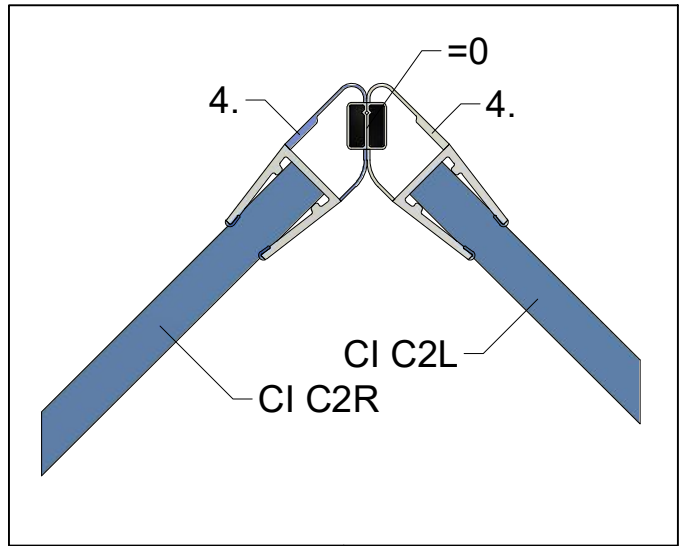
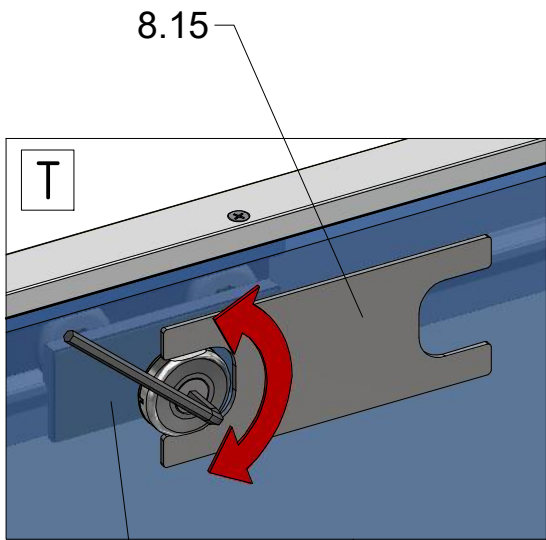


CI C2L  
(CI C2R)

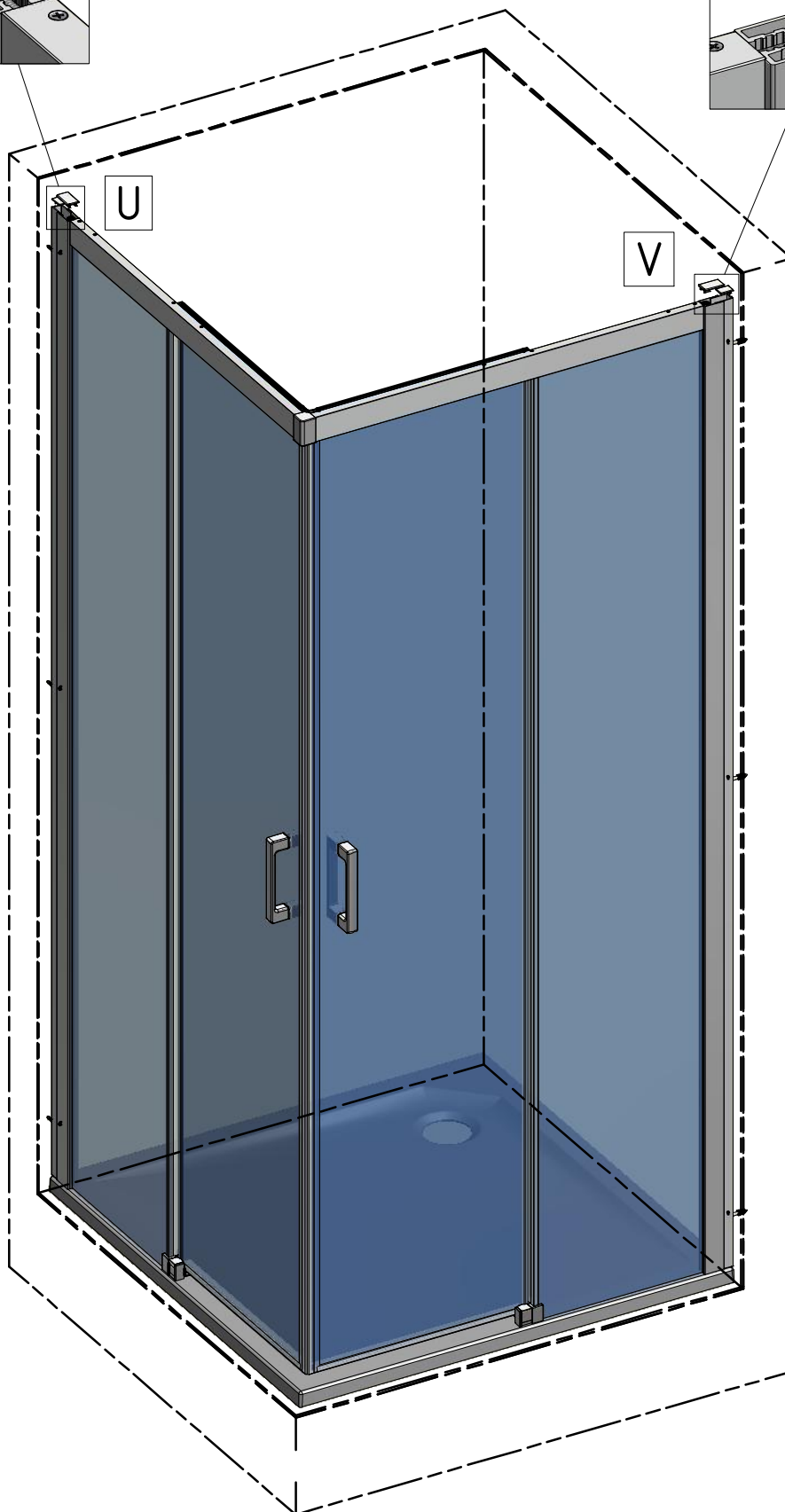
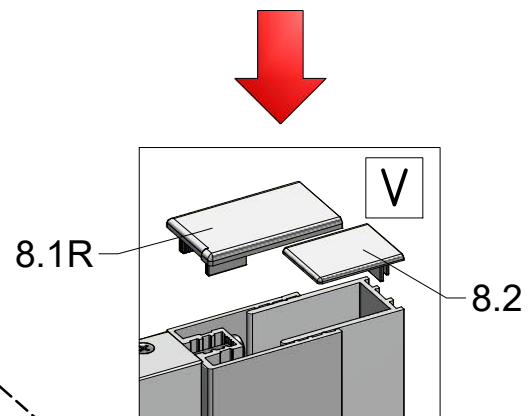
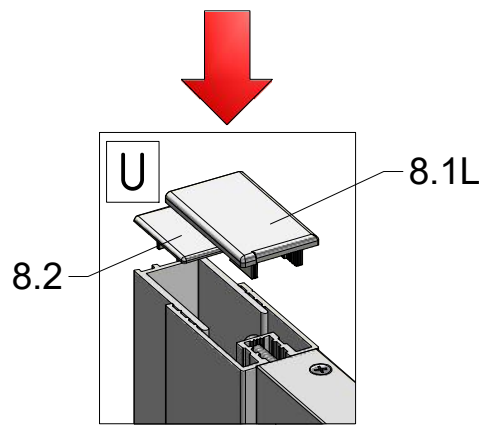
8.9 (8.10)

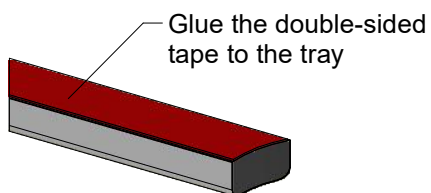
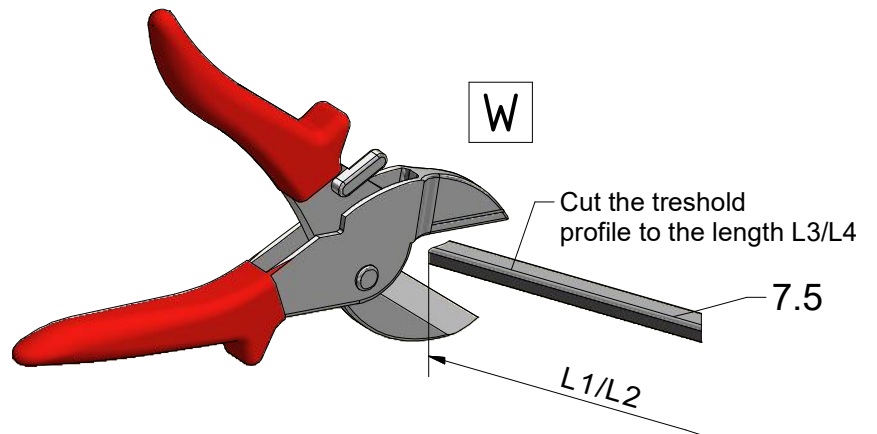
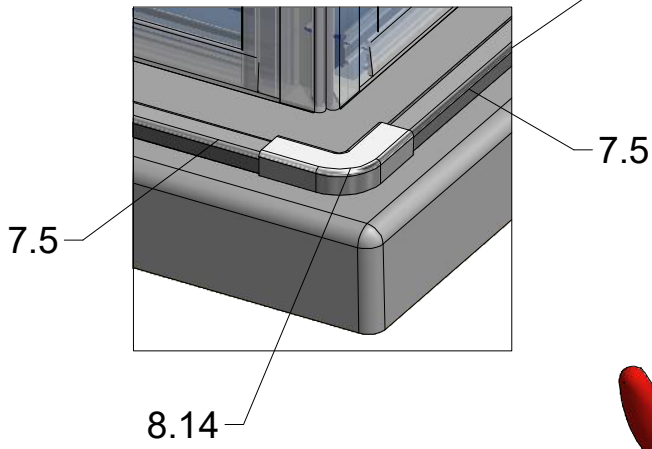
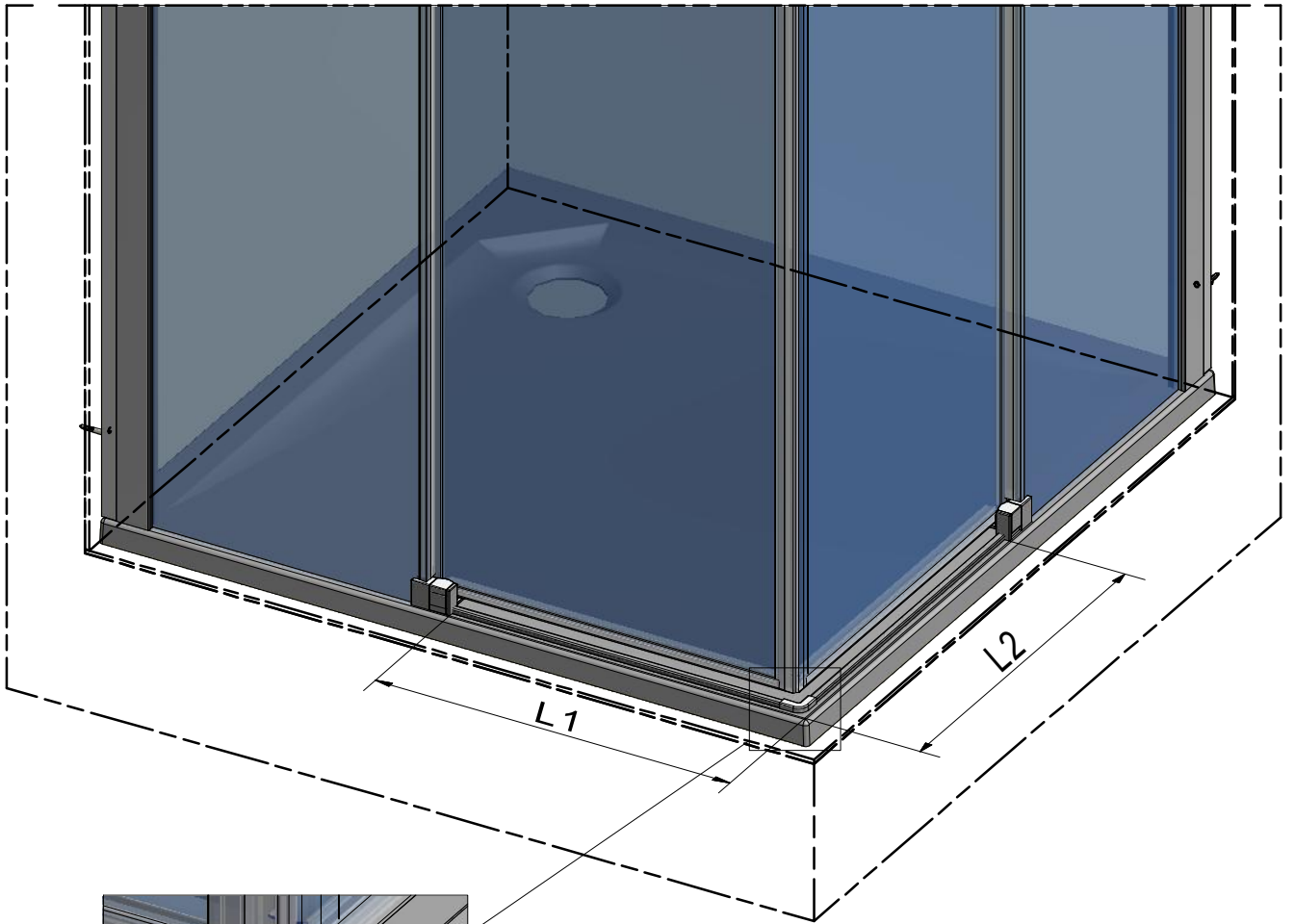


8.9 (8.10)



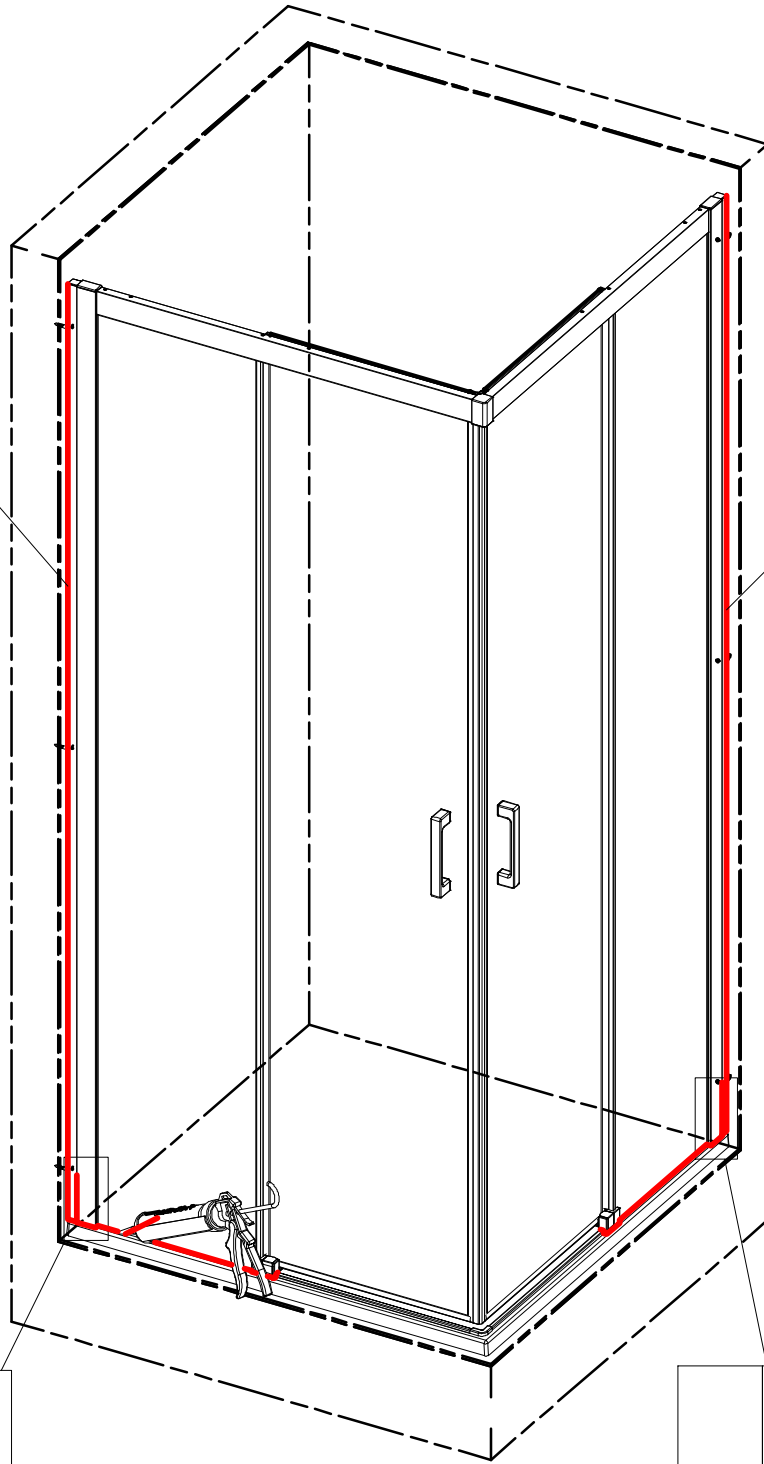




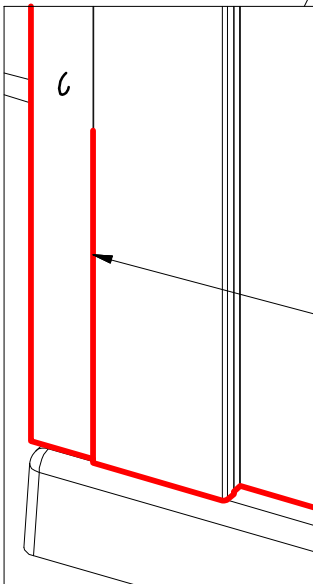




SILICONE

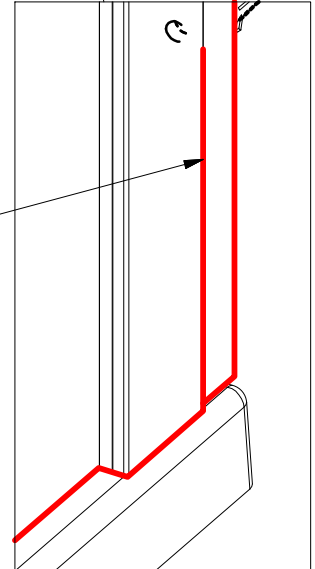


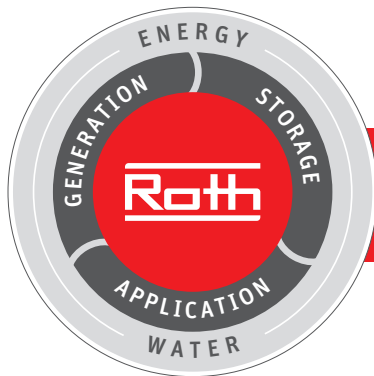
SILICONE



SILICONE  
MIN 100mm

SILICONE  
MIN 100mm





## Roth Energy and Sanitary Systems

### Generation

- Solar systems <
- Heat pump systems <

### Storage

- Storage systems for Domestic & heating water <
- Combustibles and biofuels <
- Rainwater and waste water <

### Application

- > Radiant heating and cooling systems
- > Pipe installation systems
- > Shower system

# Roth

#### ■ Deutschland

##### **ROTH WERKE GMBH**

Am Seerain 2  
35232 Dautphetal  
Telefon: 06466/922-0  
Telefax: 06466/922-100  
E-Mail: [service@roth-werke.de](mailto:service@roth-werke.de)  
[www.roth-werke.de](http://www.roth-werke.de)

#### ■ Czech Republic

##### **Roth Czech s.r.o.**

Třebořov 160  
569 33 Třebořov  
Tel.: +420 461 353 611  
E-Mail: [objednavky@roth-czech.cz](mailto:objednavky@roth-czech.cz)  
[www.roth-czech.cz](http://www.roth-czech.cz)

#### ■ France

##### **ROTH FRANCE**

CS 20090  
78, rue Ampère - ZI  
77465 Lagny sur Marne Cedex  
Tél.: +420 461 353 611  
[www.roth-france.fr](http://www.roth-france.fr)