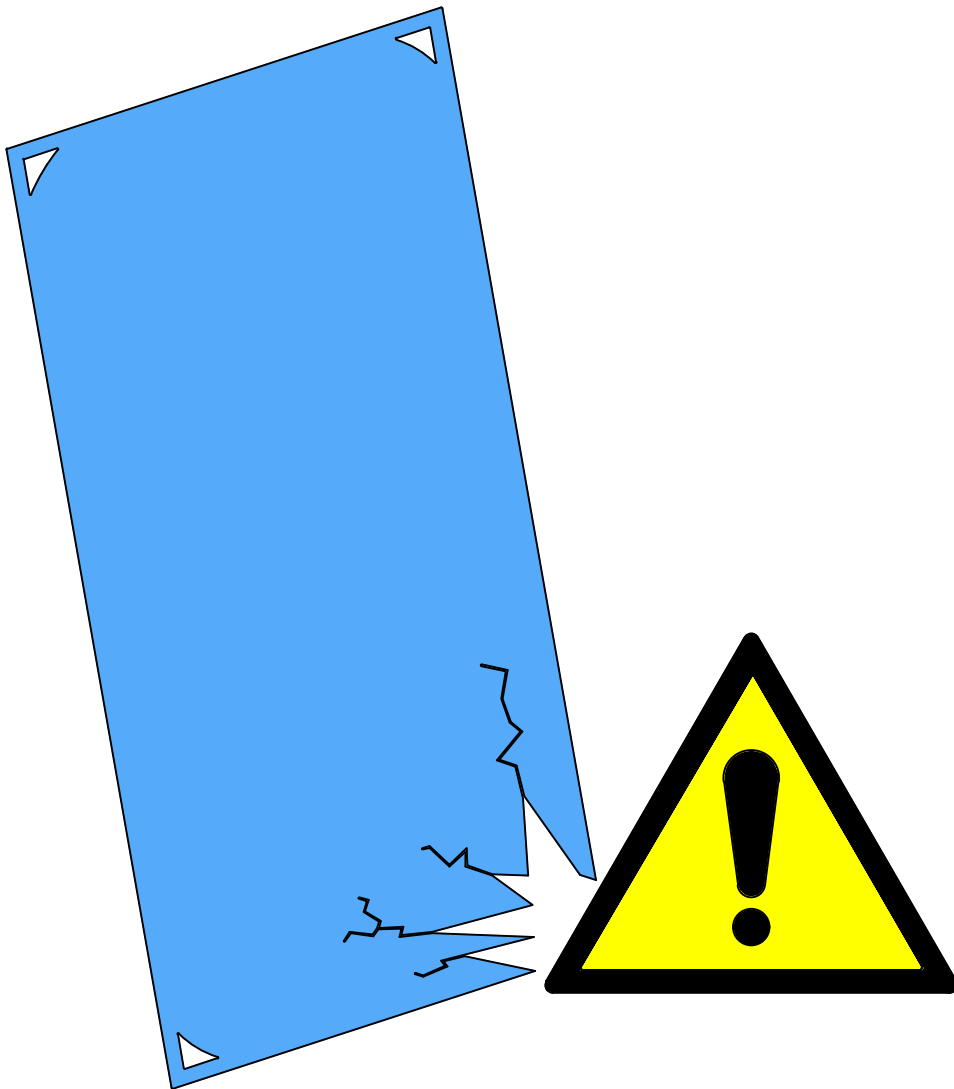
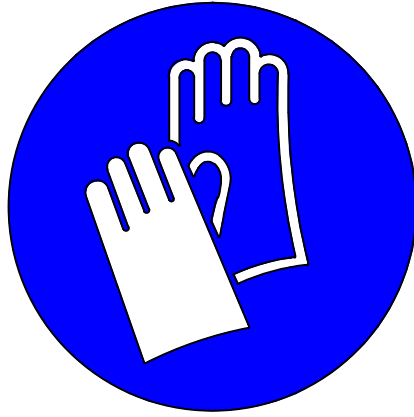
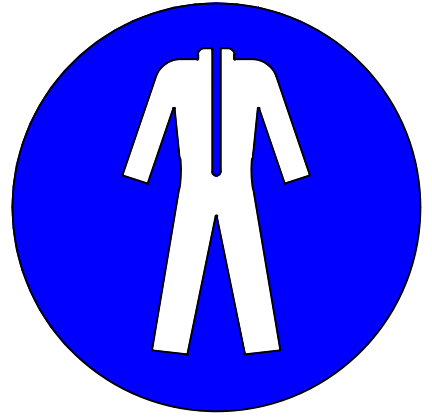
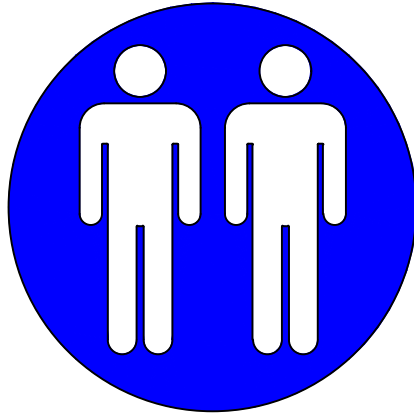


Assembling Instruction
Montageanleitung
Notice de montage
Montážní návod

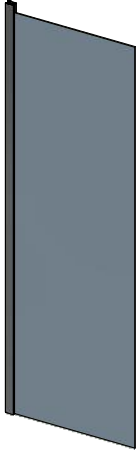


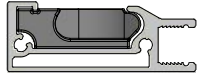

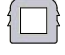
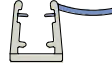

Shower for life



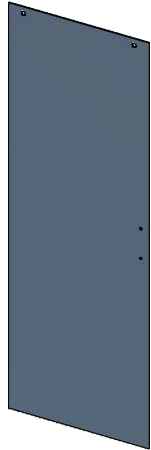
CI D2L VPE / NPE

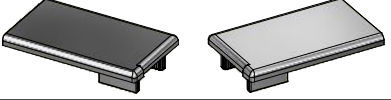
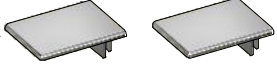









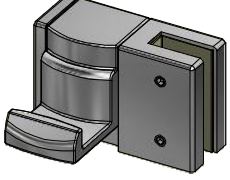
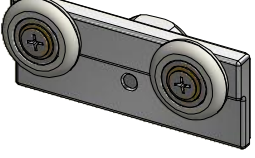

9.RAIL, STOPS, SEALS


POS.	PREVIEW	PCS	SPARE PART
1.		1	V300

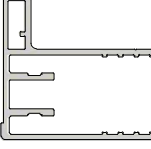
POS.	PREVIEW	PCS	SPARE PART
9.1		1	RAIL+STOPS
9.2		1	
9.3		1	
9.4		1	P6121
9.5		1	P6133

10. P6143 (VPE) / P6813 (NPE)

2.		1	V301
----	--	---	------

POS.	PREVIEW
10.1	1xL + 1xR 
10.2	2x 
10.3	6x ST3,9 
10.4	6x ST3,5 
10.5	6x 
10.6	6x 
10.7	6x 
10.8	6x 
10.9	
10.10	
10.11	3x 
10.12	MB1120 (VPE)  MB2331 (NPE)
10.13	2x MB1157 (VPE)  MB2319 (NPE)
10.14	

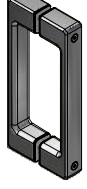
3.		2	VPE (P5941) NPE (P6792)
----	---	---	----------------------------

4.		1	VPE (P5883) NPE (P6795)
----	---	---	----------------------------

5.		1	M9756
----	---	---	-------

6.		1	P6130
----	---	---	-------

7.		2	P6127
----	---	---	-------

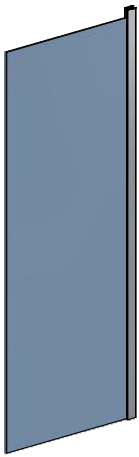
8.		1	MA9198 (VPE) MB2332 (NPE)
----	---	---	------------------------------

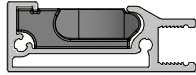
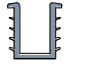

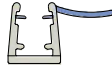

9.	RAIL, STOPS, SEALS	1	P314
----	-----------------------	---	------

10.	ACCESSORIES	1	P6143
-----	-------------	---	-------

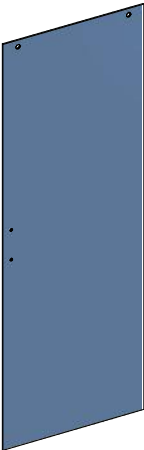
CI D2R VPE / NPE

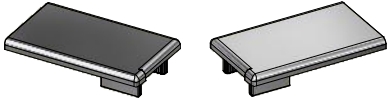
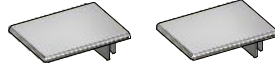









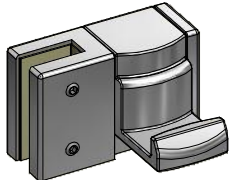
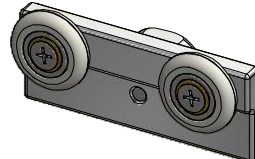

9.RAIL, STOPS, SEALS


POS.	PREVIEW	PCS	SPARE PART
1.		1	V300

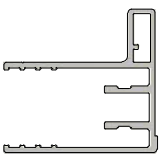
POS.	PREVIEW	PCS	SPARE PART
9.1		1	RAIL+STOPS
9.2		1	
9.3		1	
9.4		1	P6121
9.5		1	P6133

10. P6144 (VPE) / P6812 (NPE)

2.		1	V301
----	--	---	------

POS.	PREVIEW
10.1	1xL + 1xR 
10.2	2x 
10.3	6x ST3,9 
10.4	6x ST3,5 
10.5	6x 
10.6	6x 
10.7	6x 
10.8	6x 
10.9	
10.10	
10.11	3x 
10.12	MB1119 (VPE) MB2322 (NPE) 
10.13	2x MB1157 (VPE) MB2319 (NPE) 
10.14	

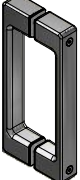
3.		2	VPE (P5941) NPE (P6792)
----	---	---	----------------------------

4.		1	VPE (P5882) NPE (P6796)
----	---	---	----------------------------

5.		1	M9756
----	---	---	-------

6.		1	P6130
----	---	---	-------

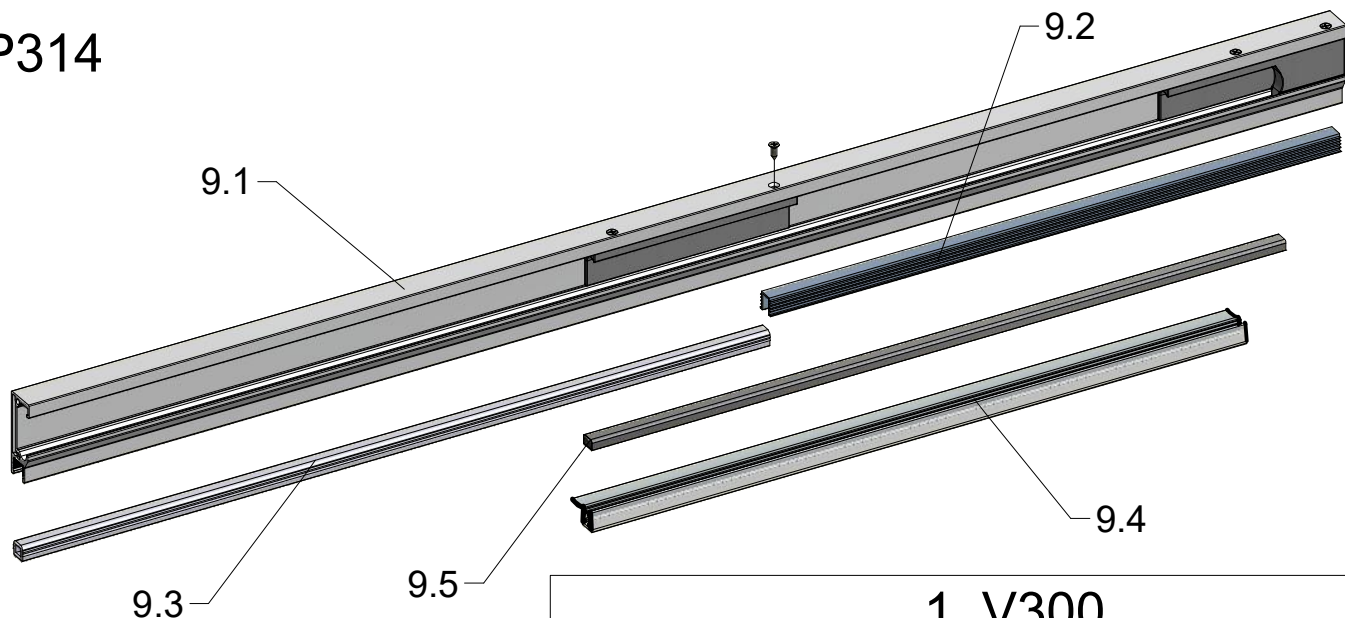
7.		2	P6127
----	---	---	-------

8.		1	MA9198 (VPE) MB2332 (NPE)
----	---	---	------------------------------

9.	RAIL, STOPS, SEALS	1	P314
----	-----------------------	---	------

10.	ACCESSORIES	1	P6144
-----	-------------	---	-------

P314



9. P314

SIZE	black	brillant
D2L 1100	-	P6187
D2L 1150	-	P6190
D2L 1200	P6829	P6192
D2L 1250	-	P6194
D2L 1300	P6830	P6196
D2L 1350	-	P6198
D2L 1400	P6831	P6200
D2L 1450	-	P6202
D2L 1500	P6832	P6204
D2L 1550	-	P6206
D2L 1600	P6833	P6208
D2R 1100	-	P6189
D2R 1150	-	P6191
D2R 1200	P6824	P6193
D2R 1250	-	P6195
D2R 1300	P6825	P6197
D2R 1350	-	P6199
D2R 1400	P6826	P6201
D2R 1450	-	P6203
D2R 1500	P6827	P6205
D2R 1550	-	P6207
D2R 1600	P6828	P6209

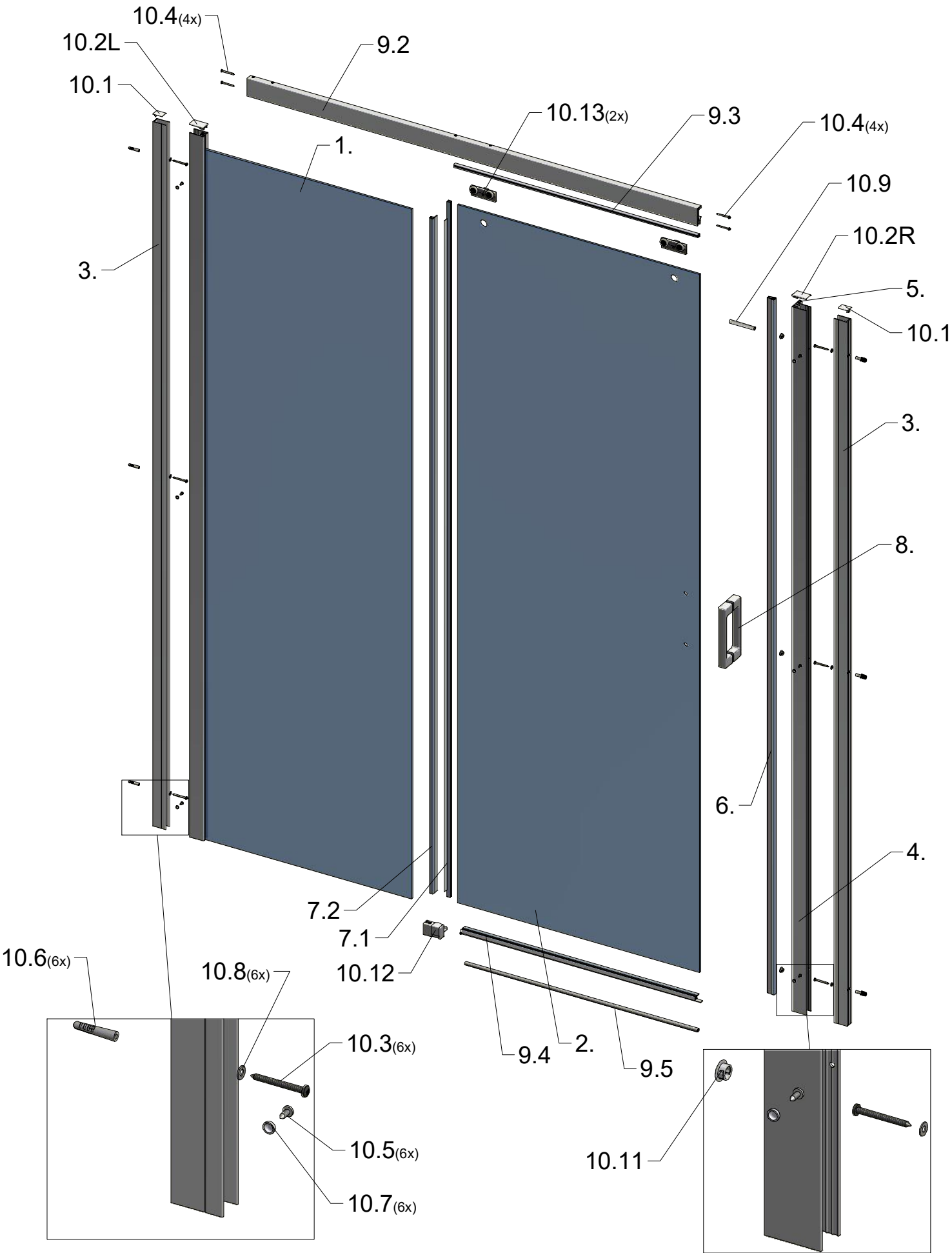
1. V300

SIZE	black+clear glass	brillant+clear glass
D2L 1100	-	ND03-0939-00-02
D2L 1150	-	ND03-0940-00-02
D2L 1200	ND03-0911-05-02	ND03-0911-00-02
D2L 1250	-	ND03-0941-00-02
D2L 1300	ND03-0942-05-02	ND03-0942-00-02
D2L 1350	-	ND03-0943-00-02
D2L 1400	ND03-0912-05-02	ND03-0912-00-02
D2L 1450	-	ND03-0944-00-02
D2L 1500	ND03-0945-05-02	ND03-0945-00-02
D2L 1550	-	ND03-0946-00-02
D2L 1600	ND03-0913-05-02	ND03-0913-00-02
D2R 1100	-	ND03-0947-00-02
D2R 1150	-	ND03-0948-00-02
D2R 1200	ND03-0914-05-02	ND03-0914-00-02
D2R 1250	-	ND03-0949-00-02
D2R 1300	ND03-0950-05-02	ND03-0950-00-02
D2R 1350	-	ND03-0951-00-02
D2R 1400	ND03-0915-05-02	ND03-0915-00-02
D2R 1450	-	ND03-0952-00-02
D2R 1500	ND03-0953-05-02	ND03-0953-00-02
D2R 1550	-	ND03-0954-00-02
D2R 1600	ND03-0916-05-02	ND03-0916-00-02

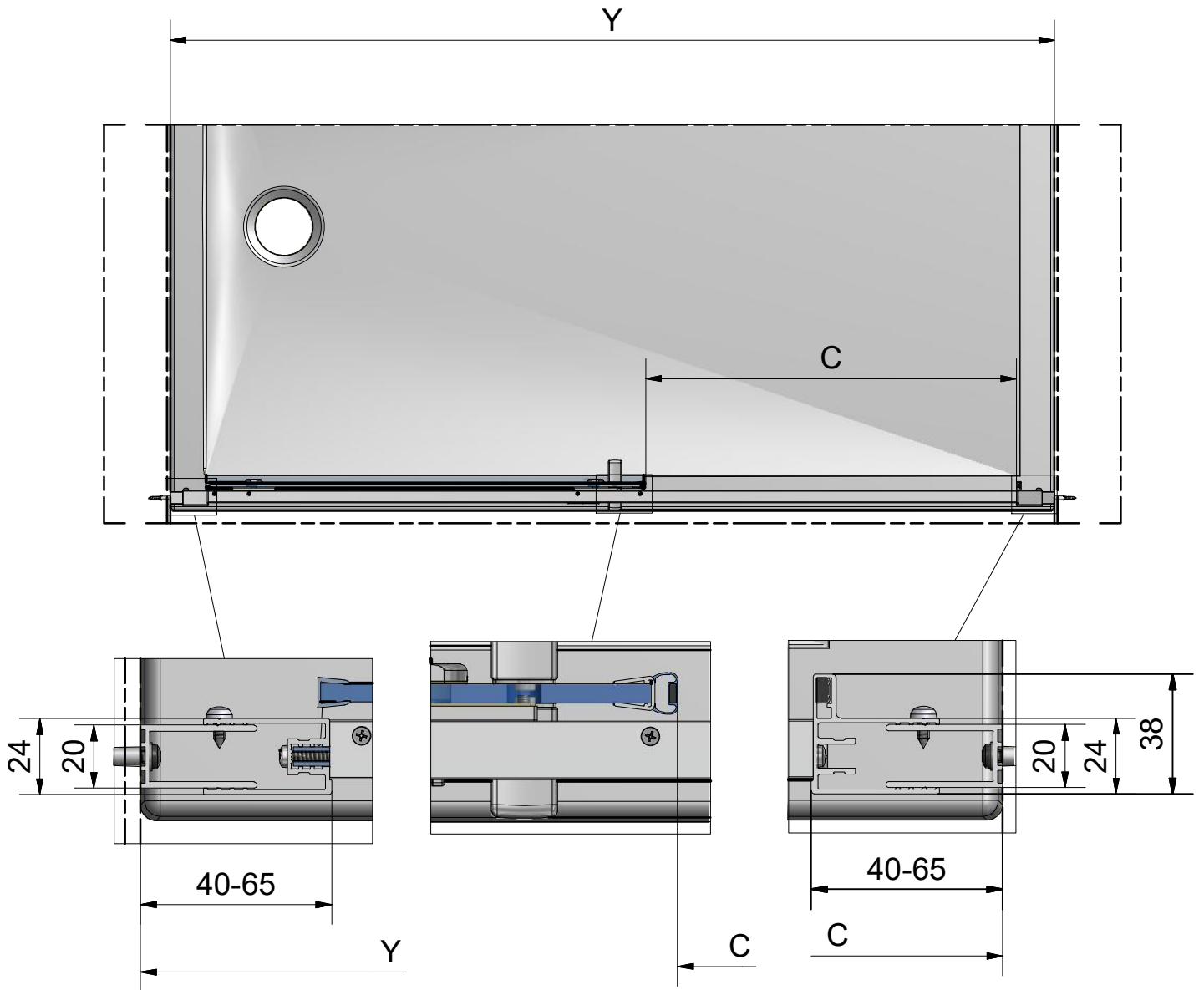
2. V301

SIZE	GLASS	SPARE PART
1100	clear glass	ND02-0936-02
1150	clear glass	ND02-0937-02
1200	clear glass	ND02-0911-02
1250	clear glass	ND02-0938-02
1300	clear glass	ND02-0939-02
1350	clear glass	ND02-0940-02
1400	clear glass	ND02-0912-02
1450	clear glass	ND02-0941-02
1500	clear glass	ND02-0942-02
1550	clear glass	ND02-0943-02
1600	clear glass	ND02-0913-02

CI D2L / CI D2R



CI D2L / CI D2R

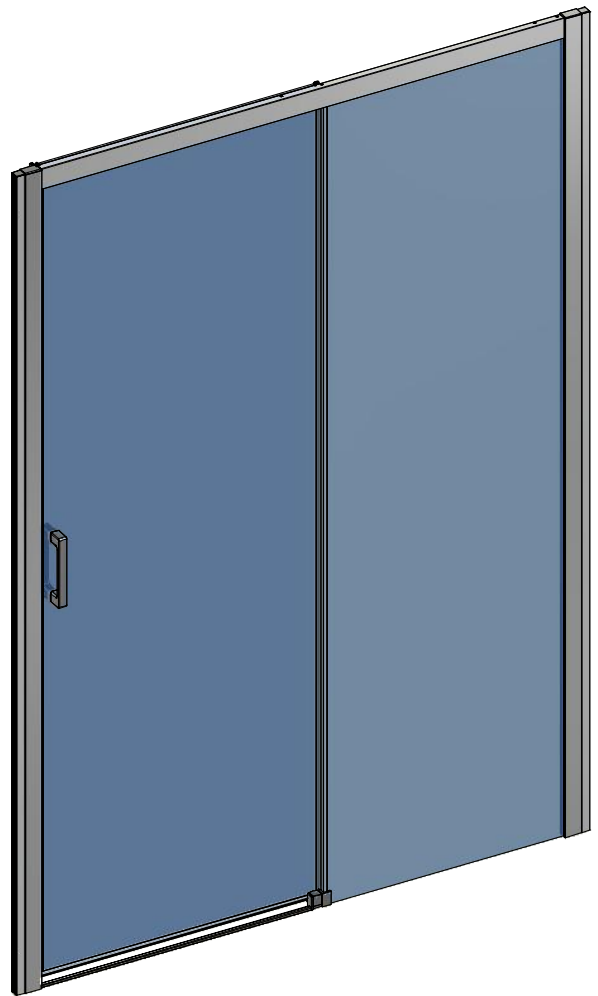


CI D2L/CI D2R		
TYPE	C (mm)	Y (mm)
1100	435	1060-1110
1150	460	1110-1160
1200	485	1160-1210
1250	510	1210-1260
1300	535	1260-1310
1350	560	1310-1360
1400	585	1360-1410
1450	610	1410-1460
1500	635	1460-1510
1550	660	1510-1560
1600	685	1560-1610

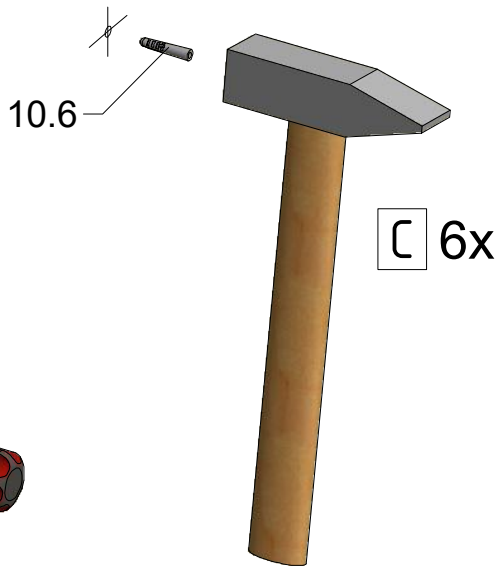
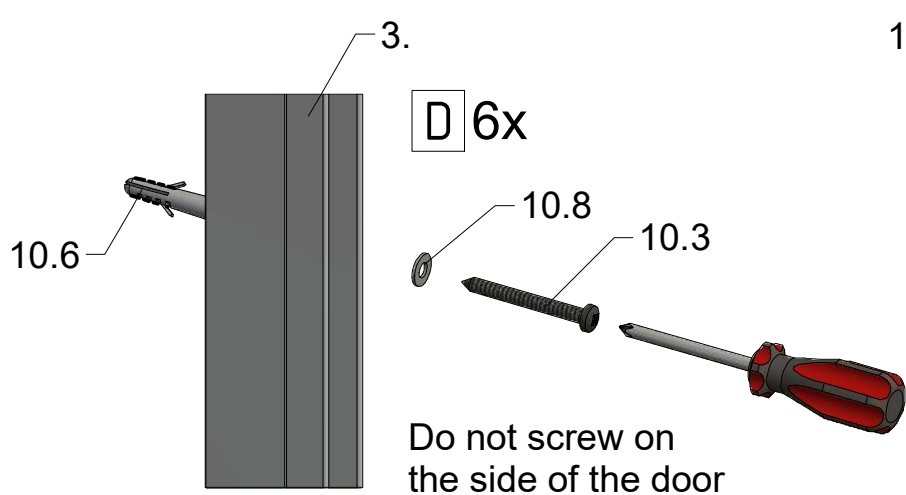
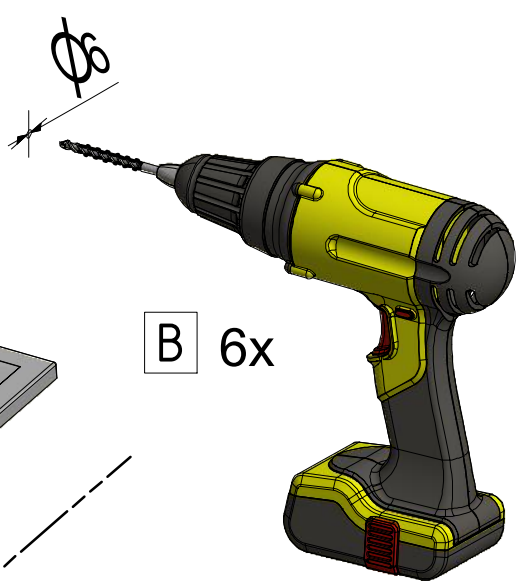
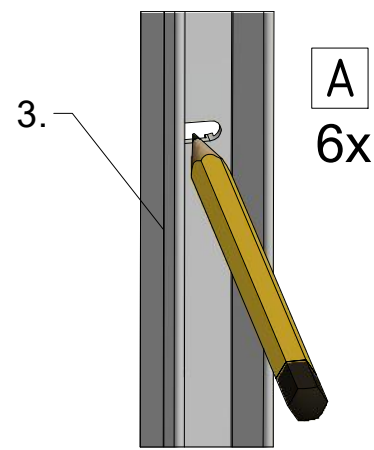
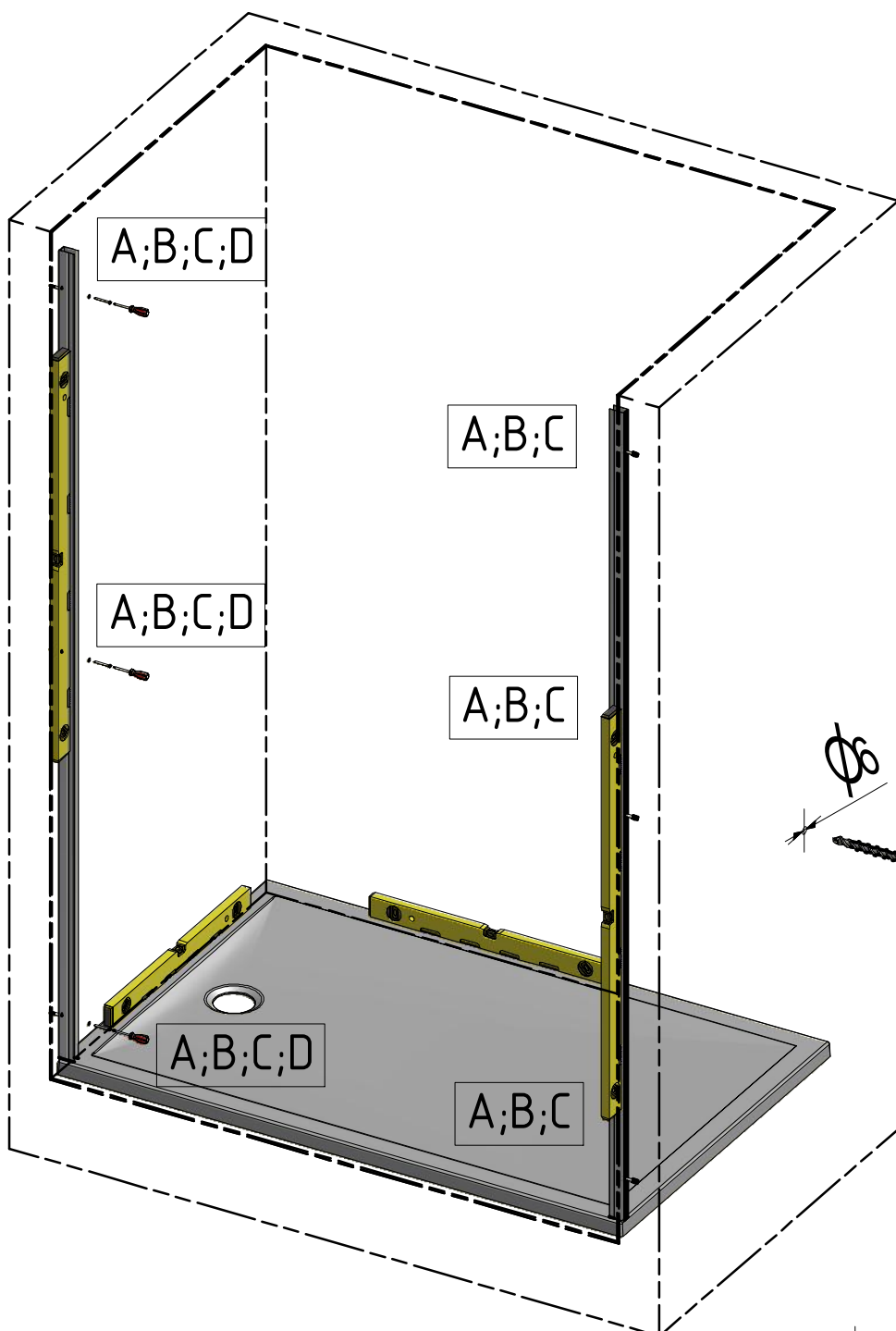
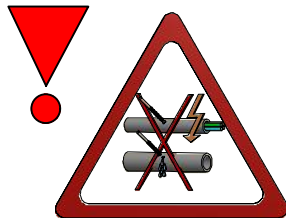
Next step in instructions is for left installation
(for right installation - proceed in a mirror image)



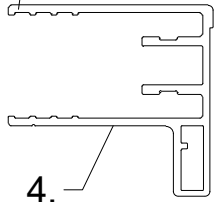
LEFT Installation



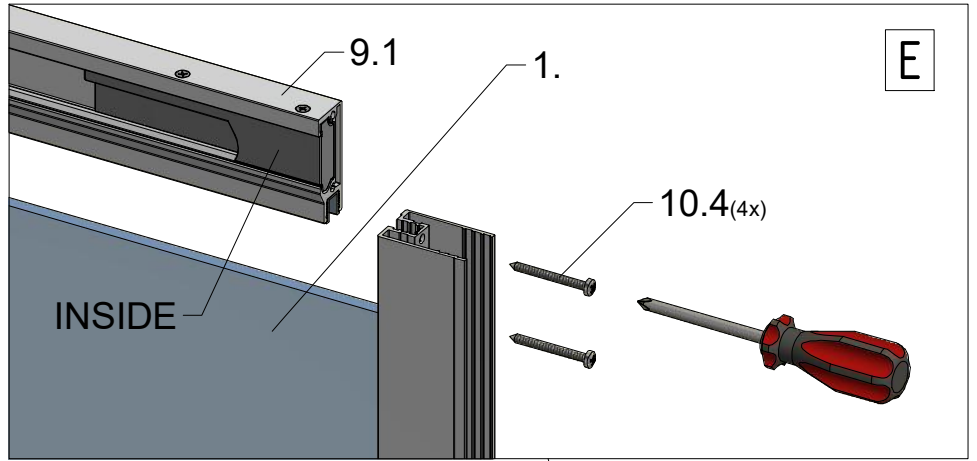
RIGHT Installation



OUTSIDE

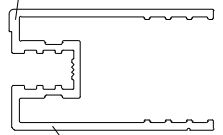


4.

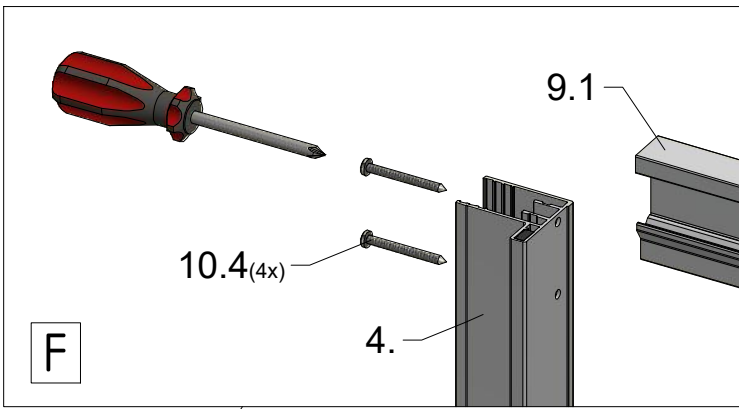


E

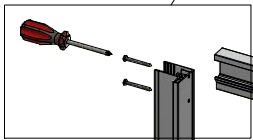
OUTSIDE



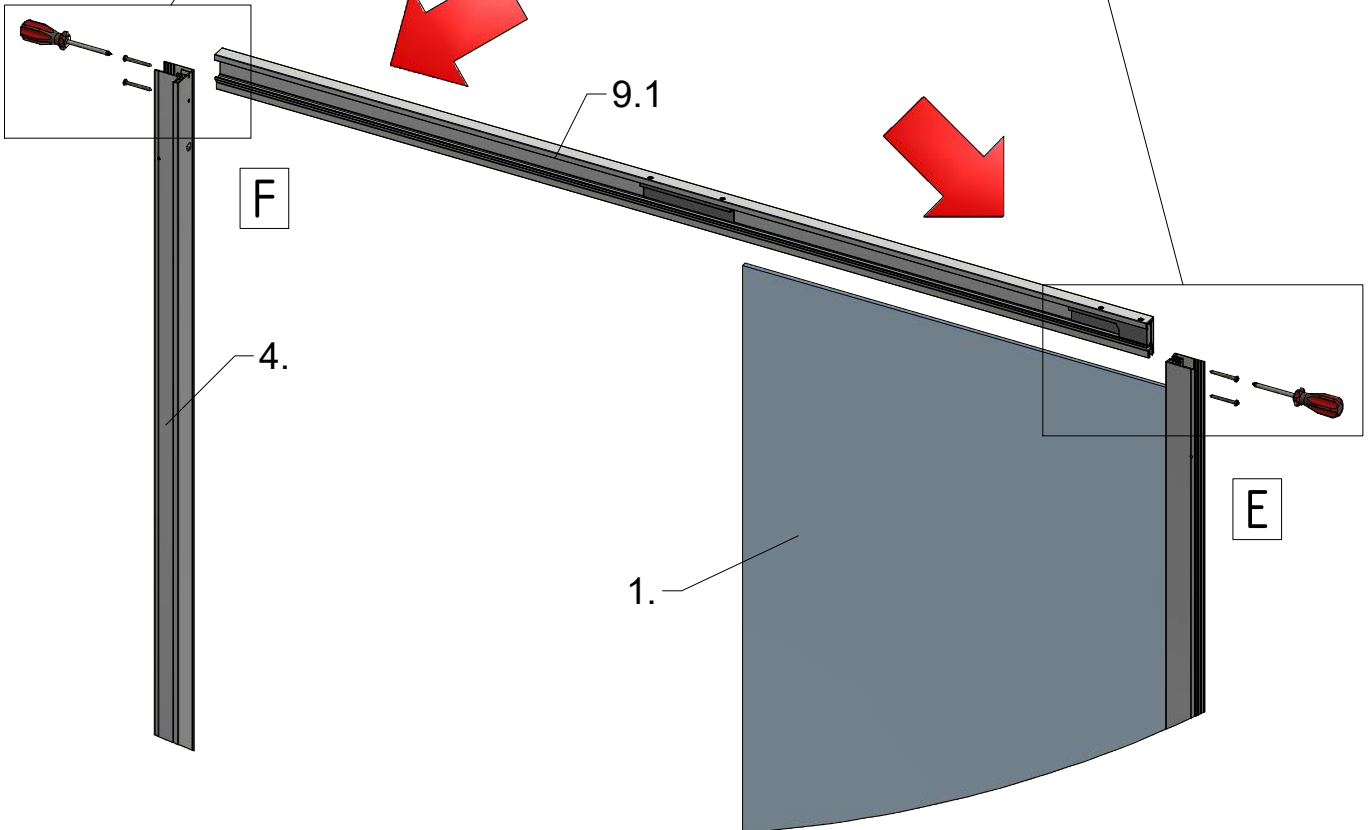
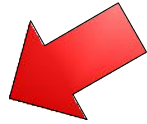
1.



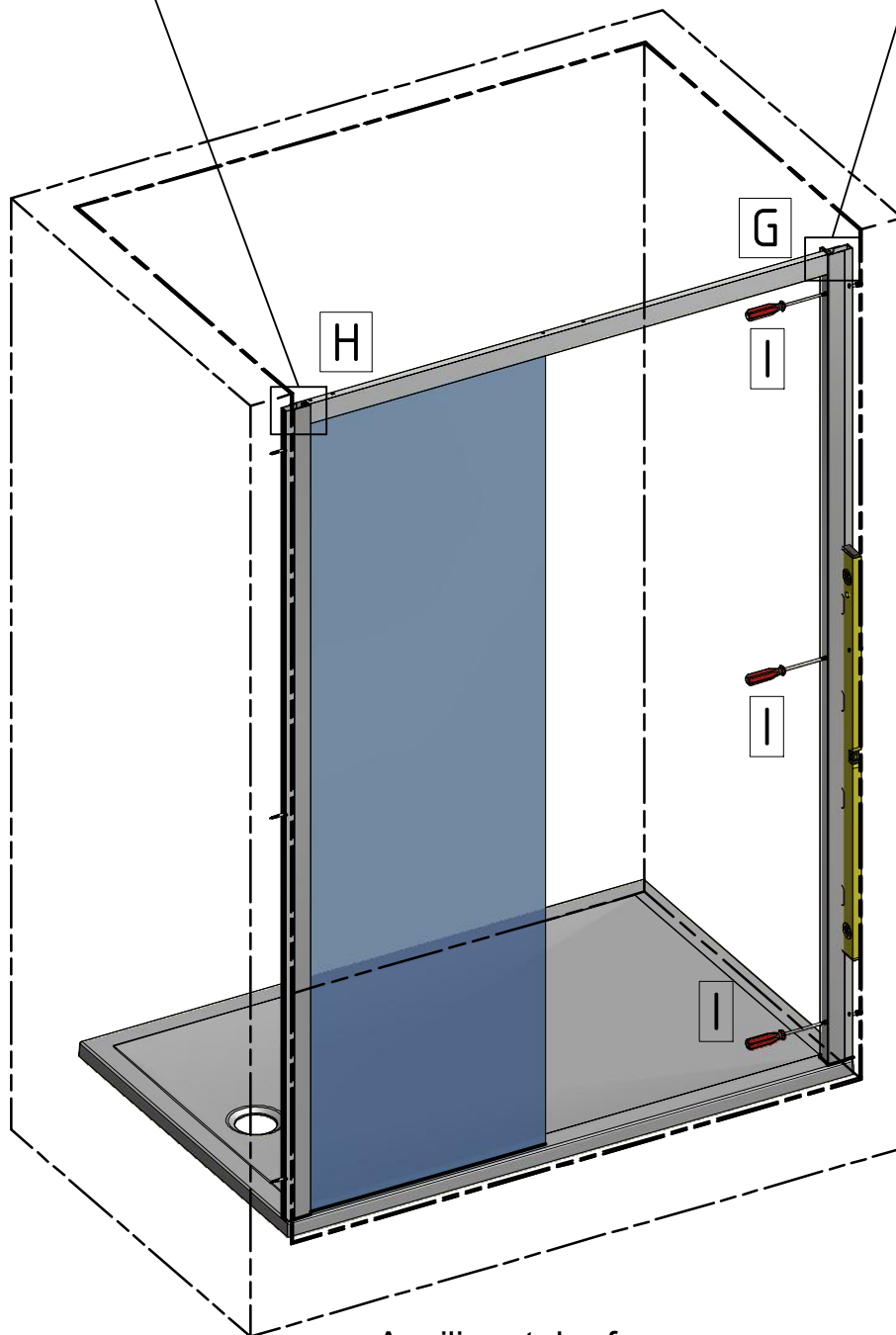
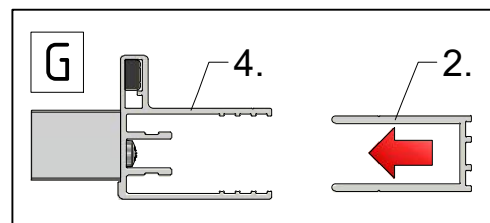
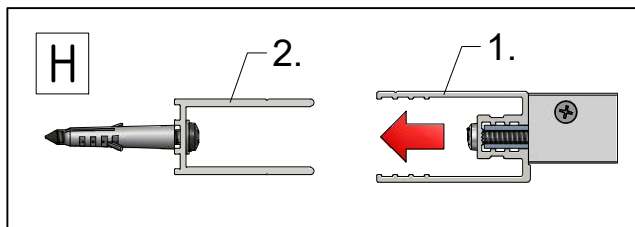
F



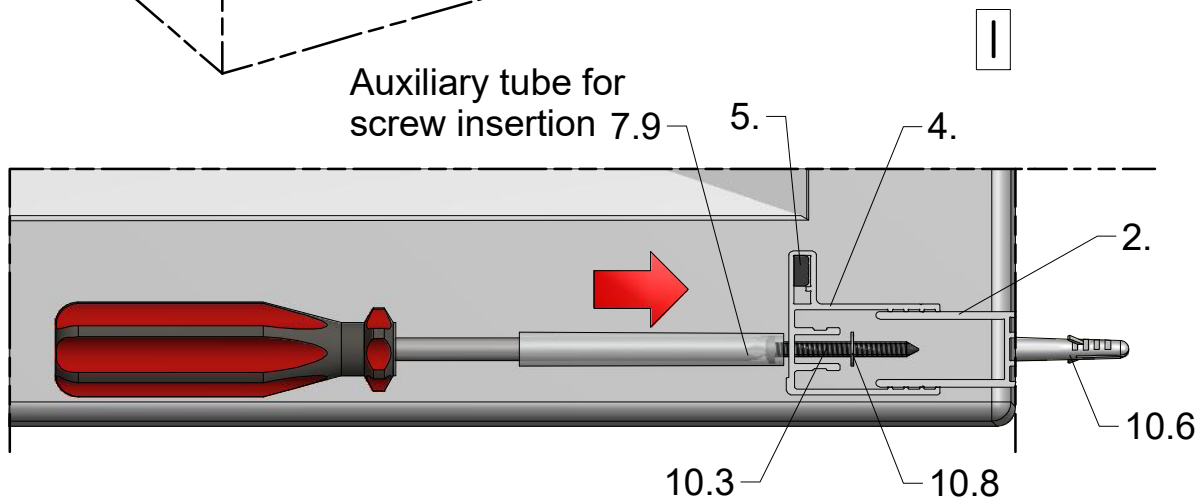
F

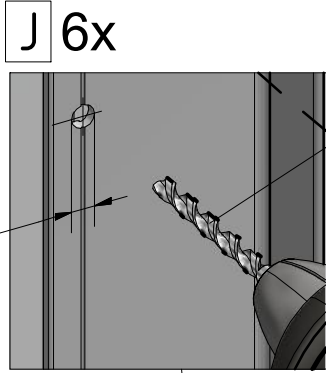
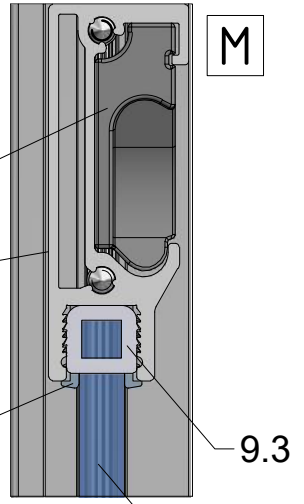
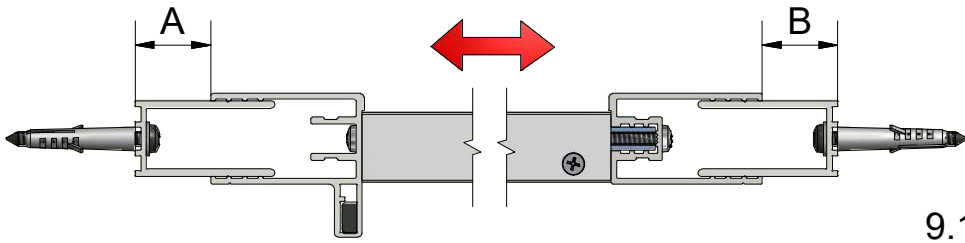


E



Auxiliary tube for screw insertion 7.9





OUTSIDE

9.2 (USE ON GLASS)

1.

Center A=B

J;K;L

J;K;L

M

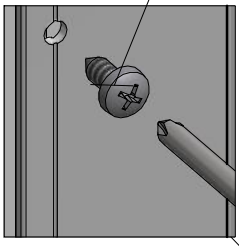
J;K;L

J;K;L

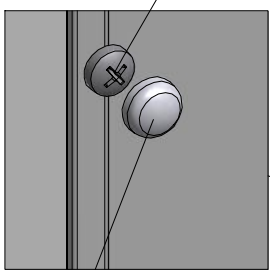
J;K;L

J;K;L

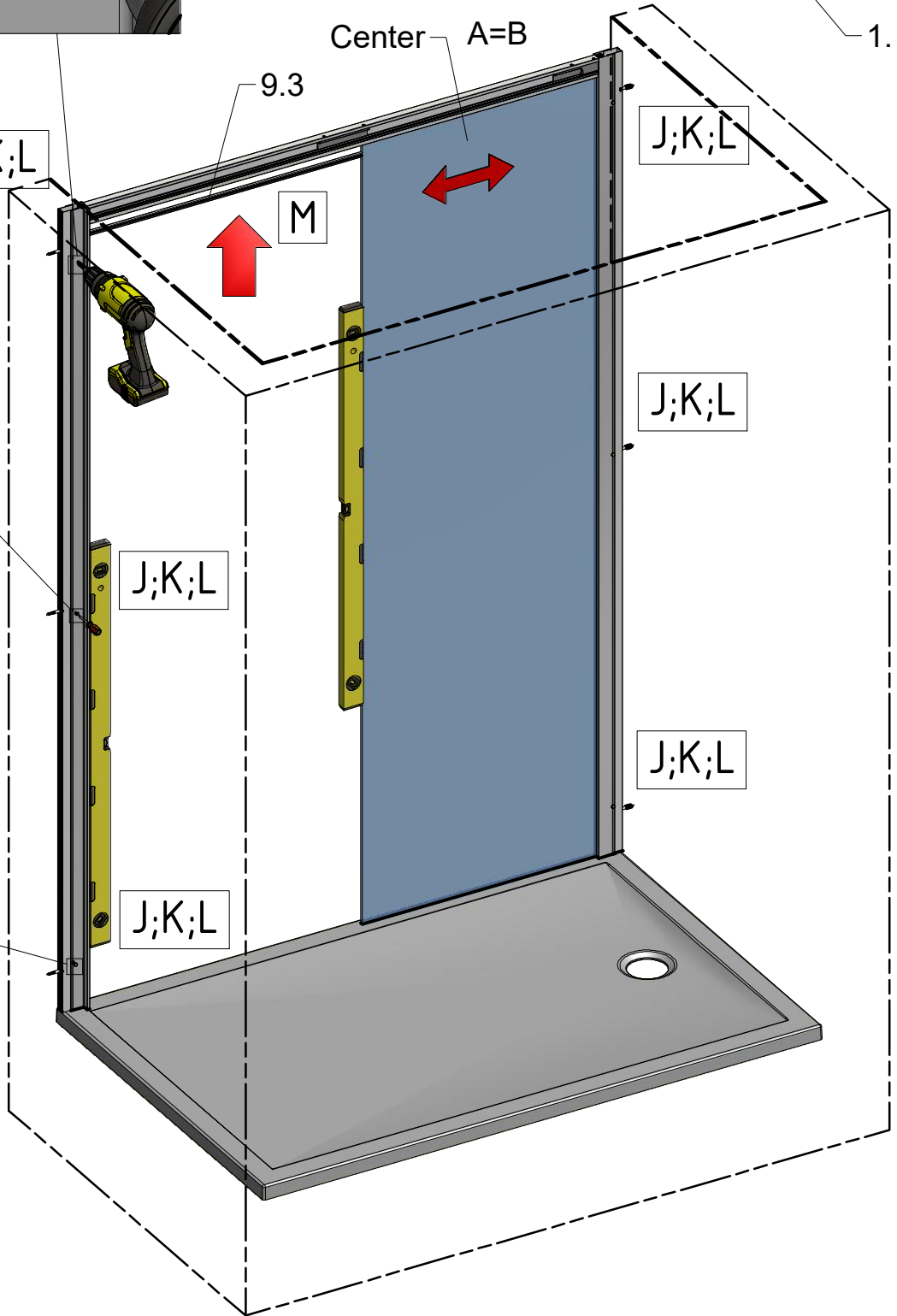
K 6x

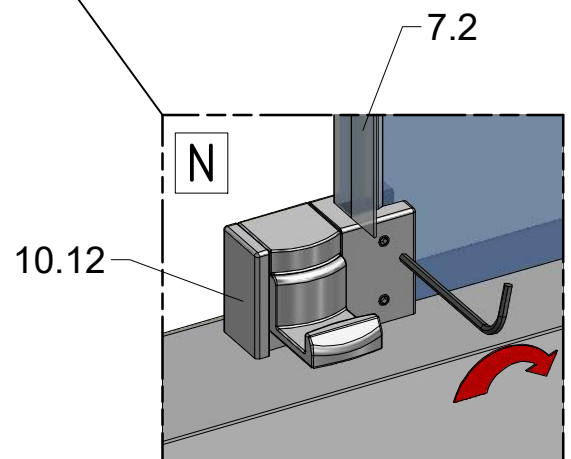
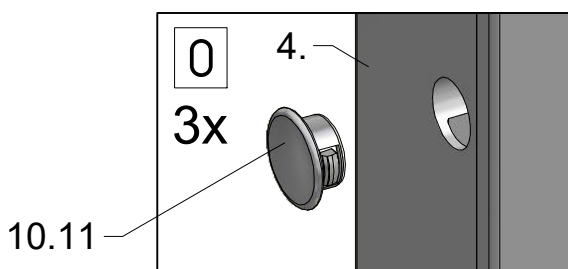
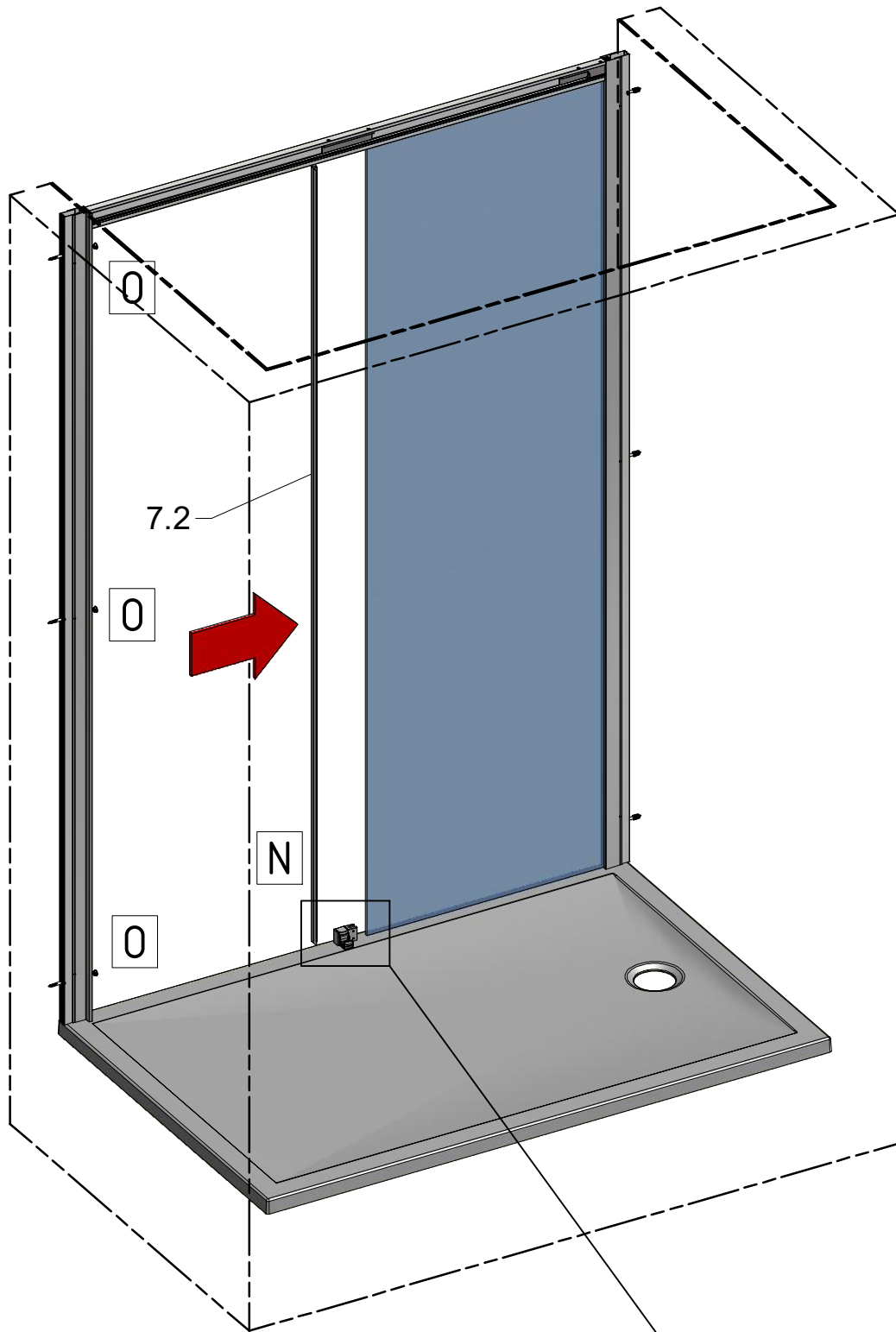


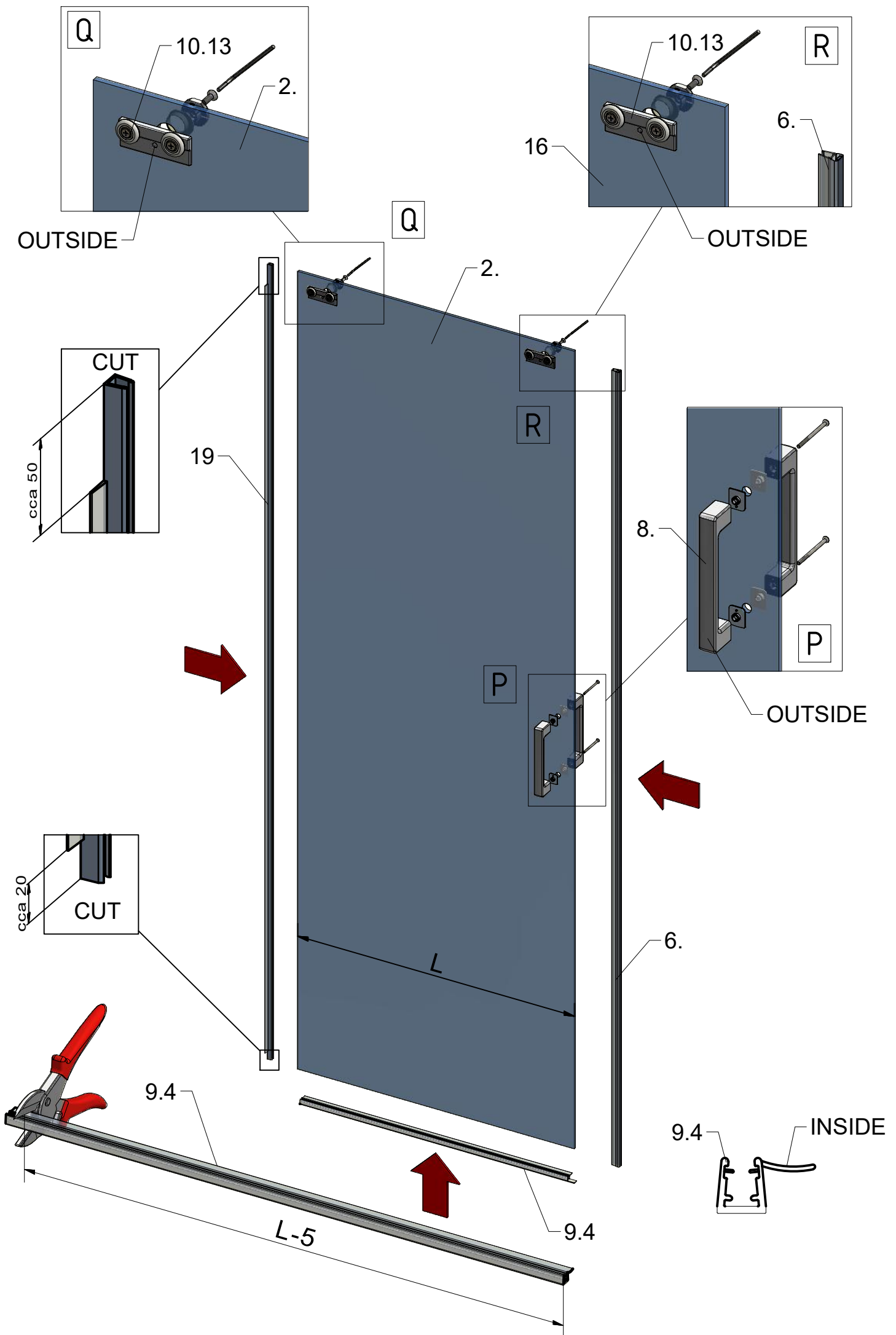
L 6x

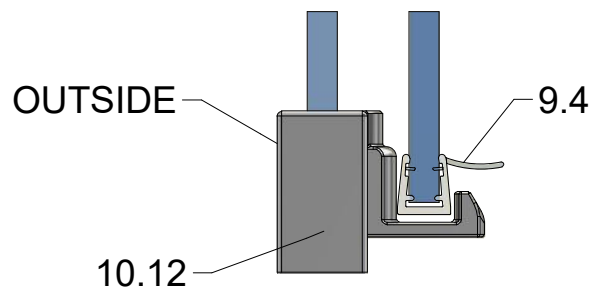
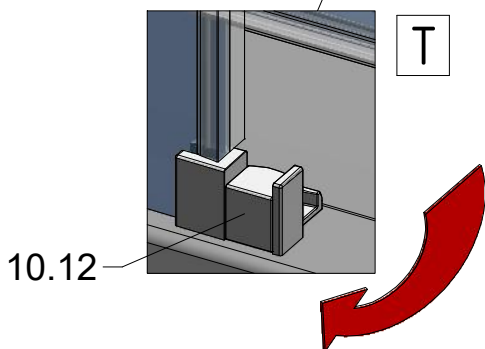
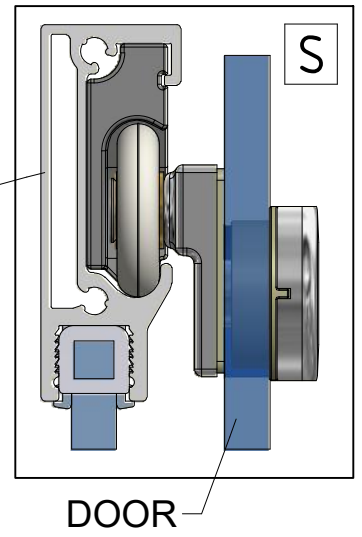
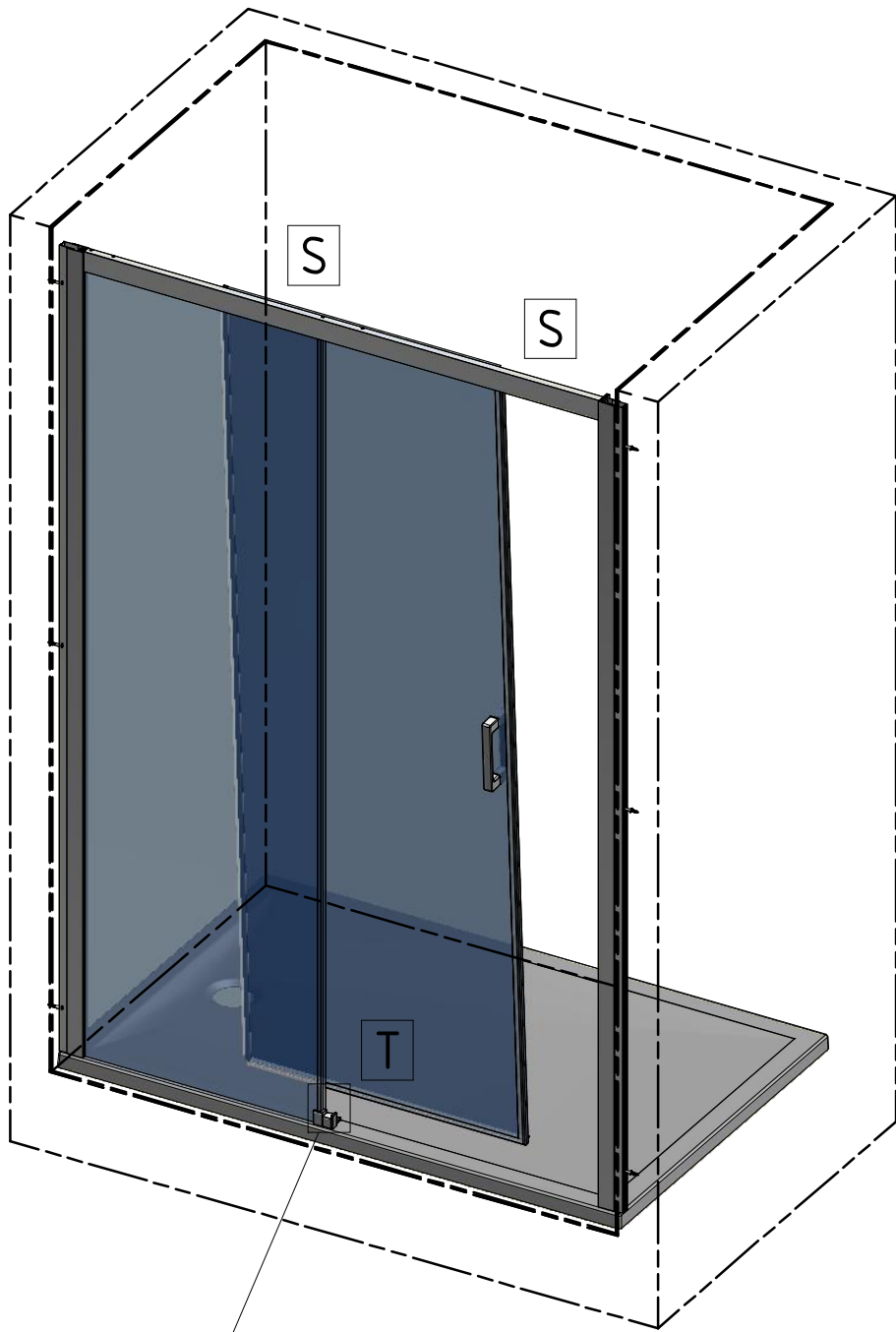


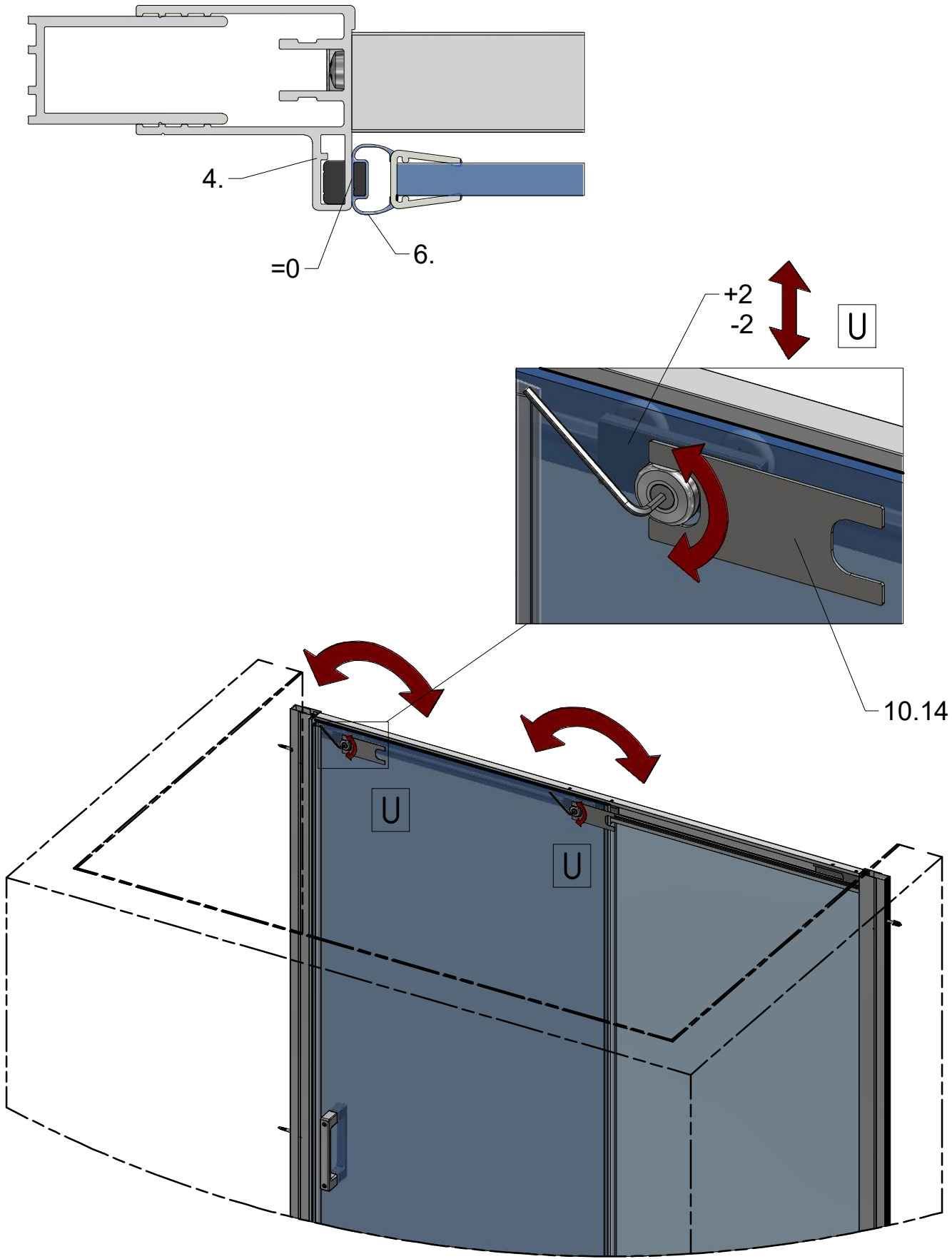
10.7

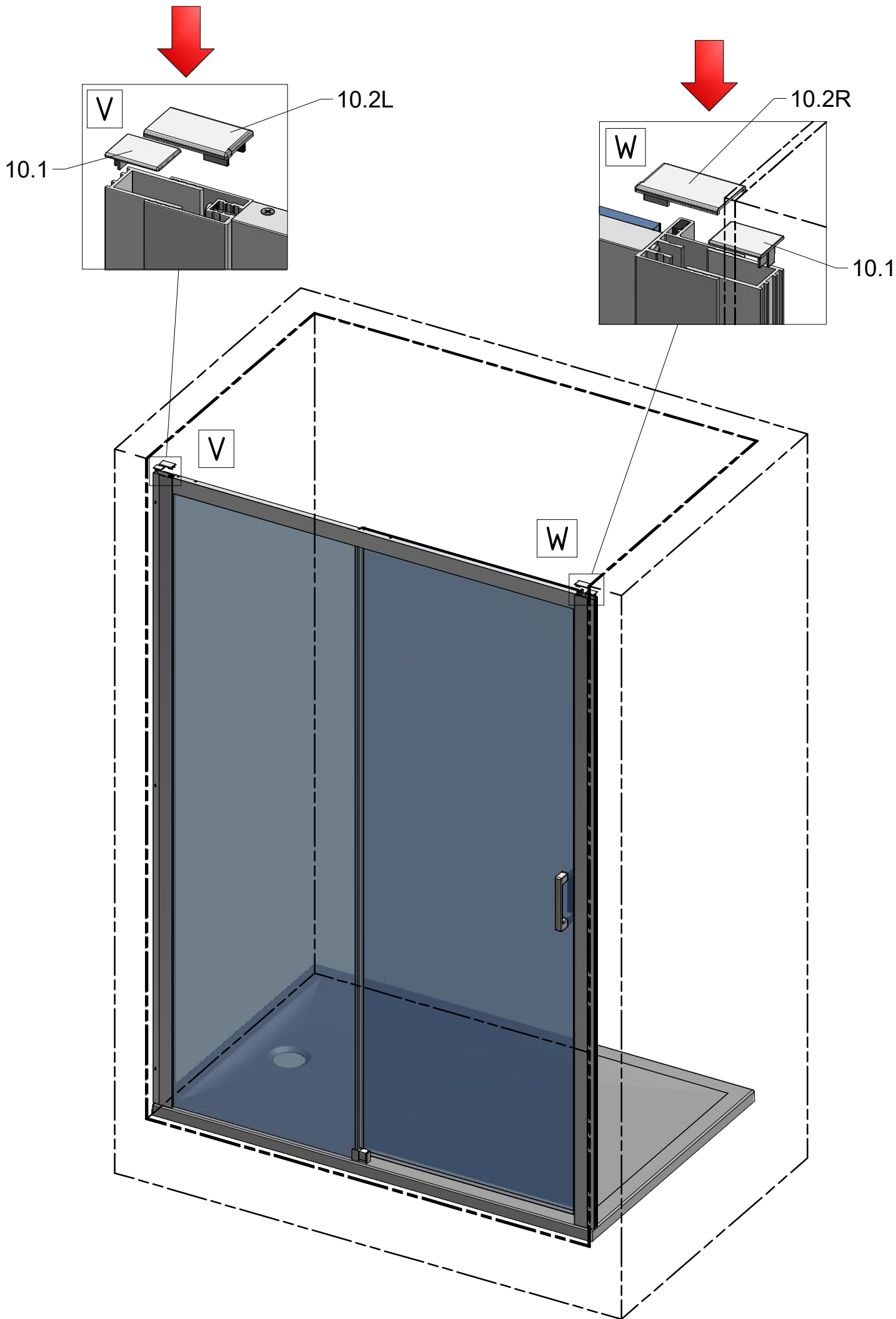


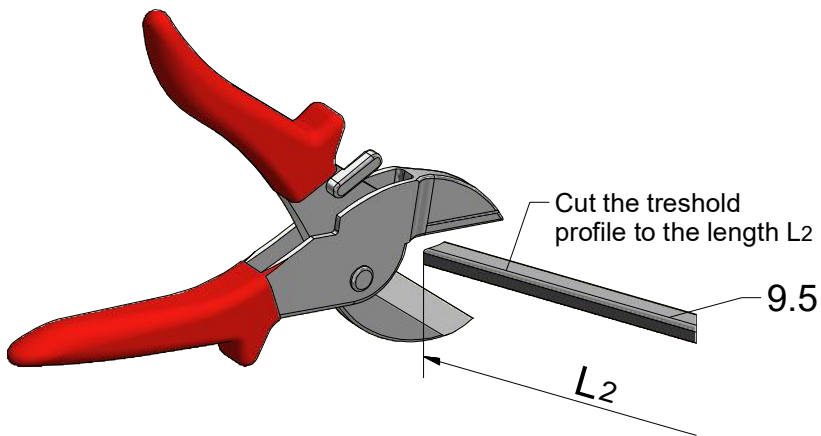
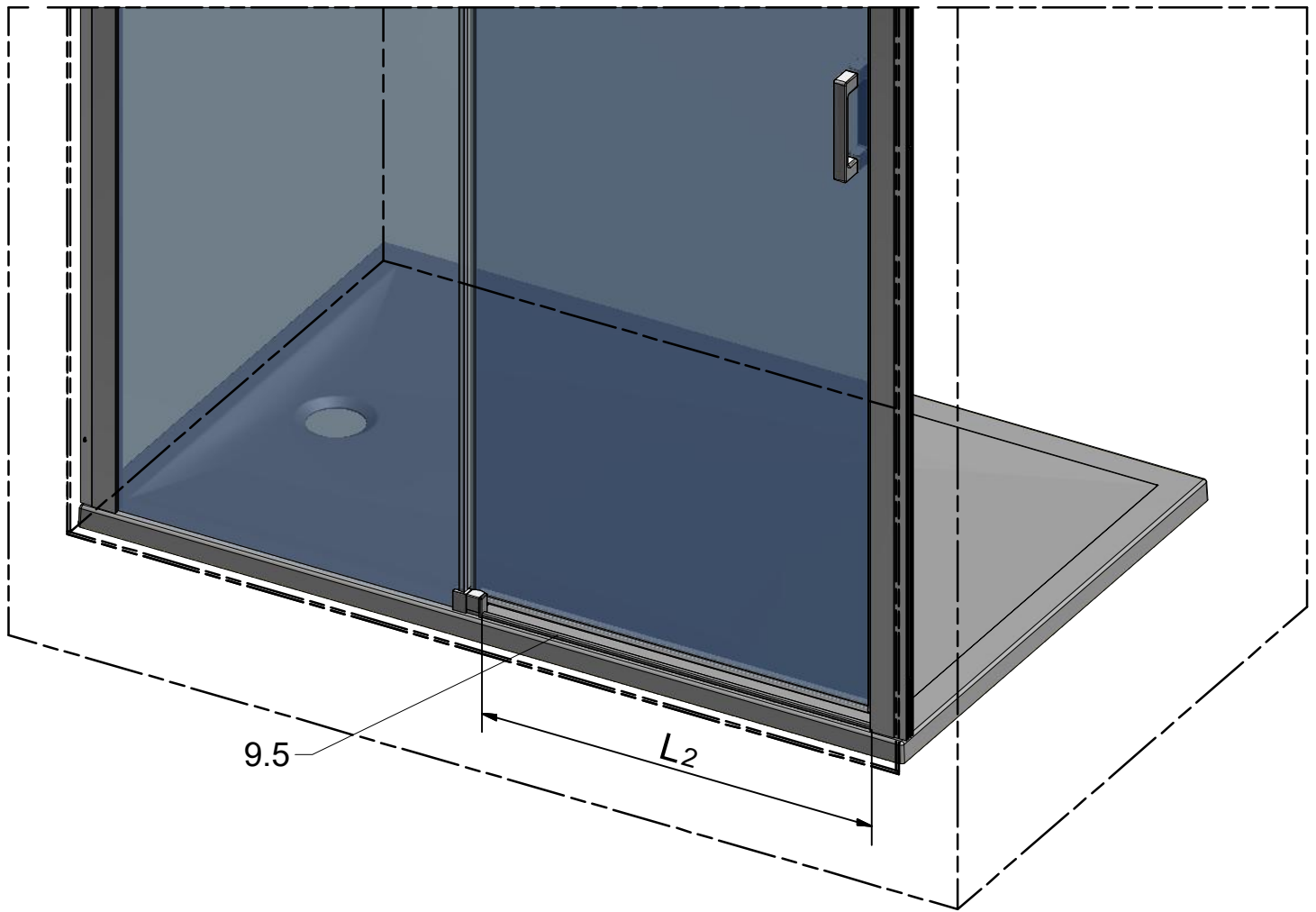




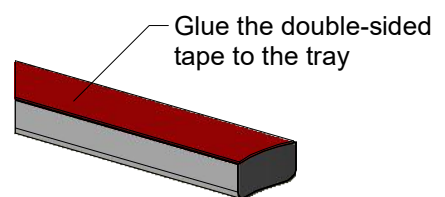






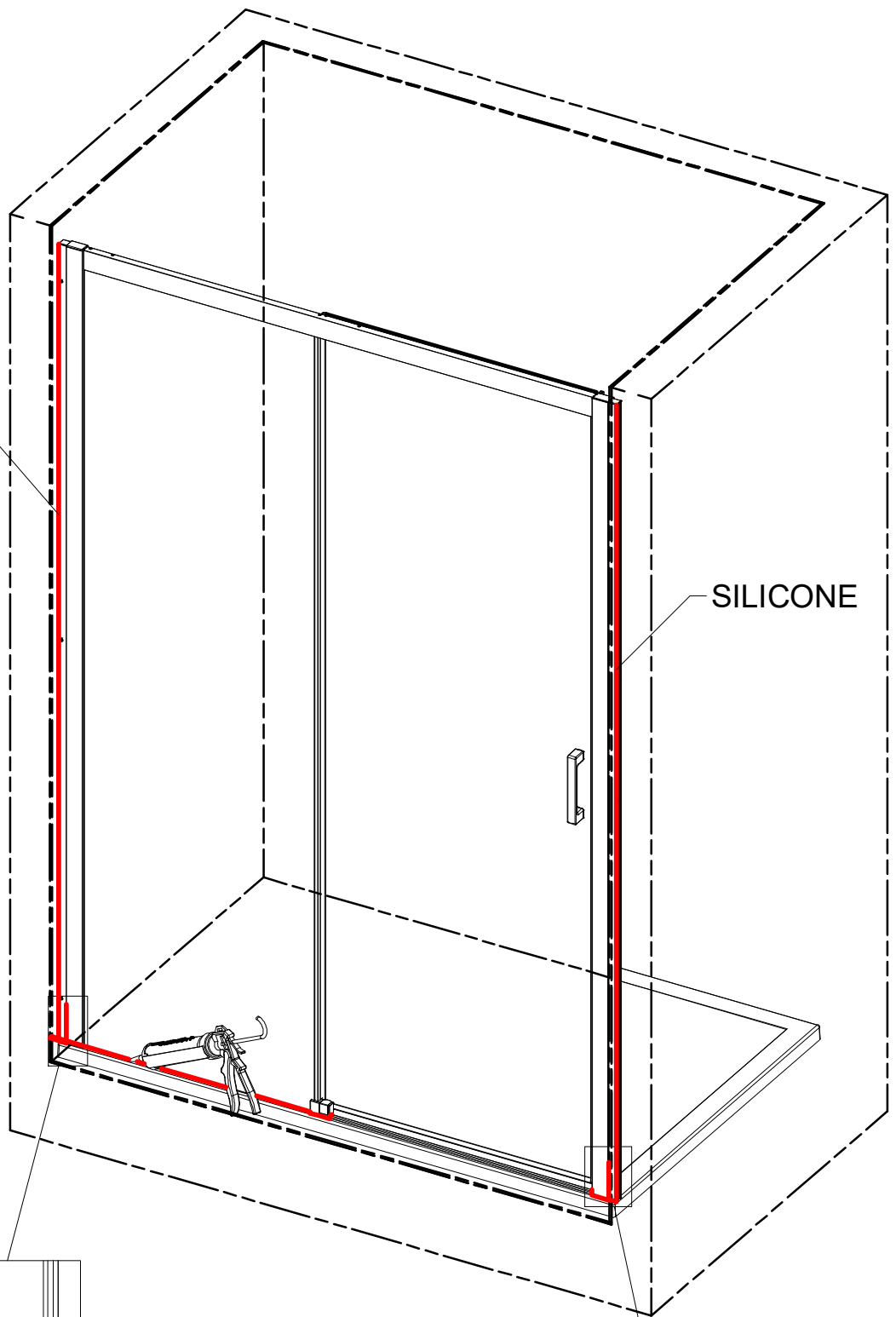


W

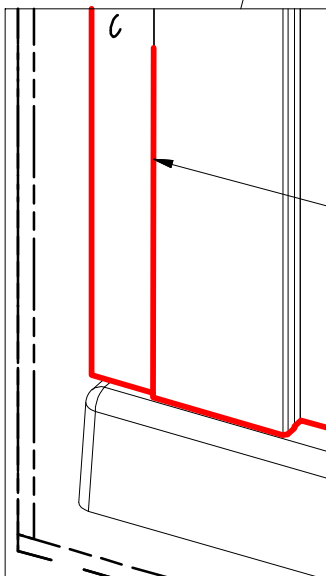




SILICONE

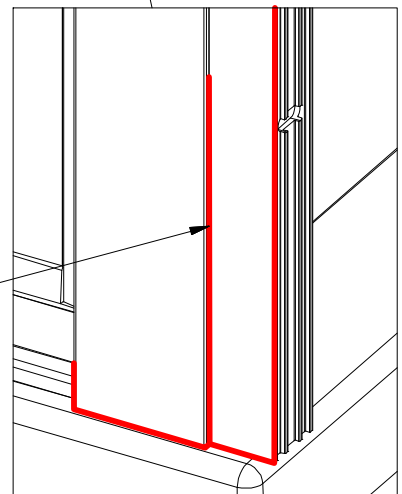


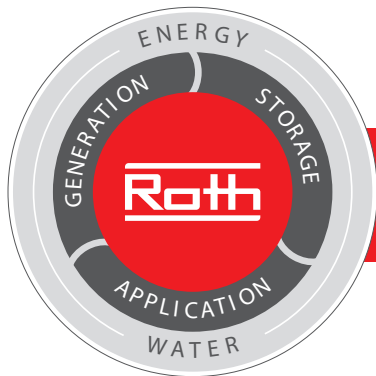
SILICONE



SILICONE
MIN 100mm

SILICONE
MIN 100mm





Roth Energy and Sanitary Systems

Generation

- Solar systems <
- Heat pump systems <

Storage

- Storage systems for Domestic & heating water <
- Combustibles and biofuels <
- Rainwater and waste water <

Application

- > Radiant heating and cooling systems
- > Pipe installation systems
- > Shower system

Roth

■ Deutschland

ROTH WERKE GMBH
Am Seerain 2
35232 Dautphetal
Telefon: 06466/922-0
Telefax: 06466/922-100
E-Mail: service@roth-werke.de
www.roth-werke.de

■ Czech Republic

Roth Czech s.r.o.
Třebořov 160
569 33 Třebořov
Tel.: +420 461 353 611
E-Mail: objednavky@roth-czech.cz
www.roth-czech.cz

■ France

ROTH FRANCE
CS 20090
78, rue Ampère - ZI
77465 Lagny sur Marne Cedex
Tél.: +420 461 353 611
www.roth-france.fr