

Sanitary Systems

Roth Cariba CI FXP

Roth

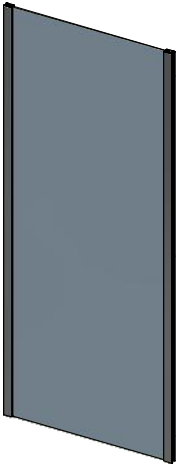

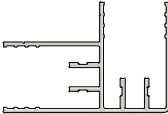
**Assembling Instruction
Montageanleitung
Notice de montage
Montážní návod**


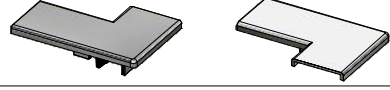




Shower for life

CI FXP

4. P6147

POS.	PREVIEW	PCS	SPARE PART
1.		1	V295
2.		1	P312
3.		1	P5881
4.	ACCESSORIES	1	P6147

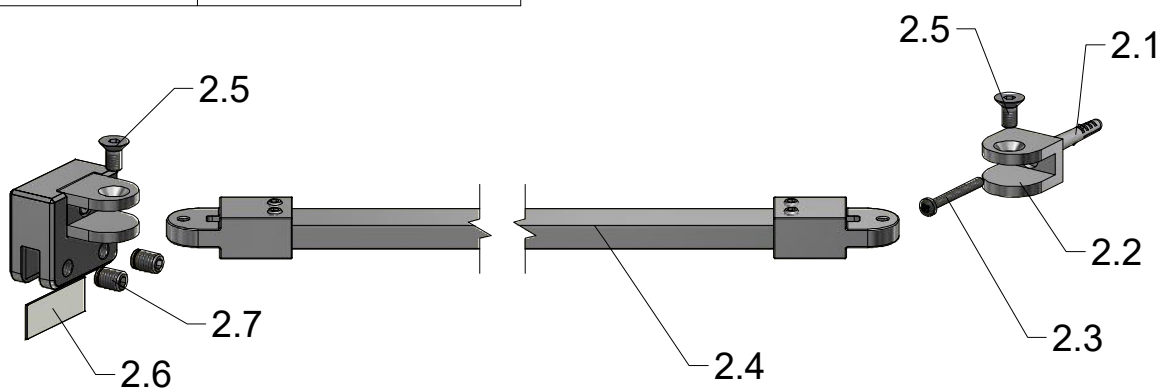
POS.	PREVIEW
4.1	1x L+1x R 
4.2	1x L+1x R 
4.3	6x 
4.4	6x 

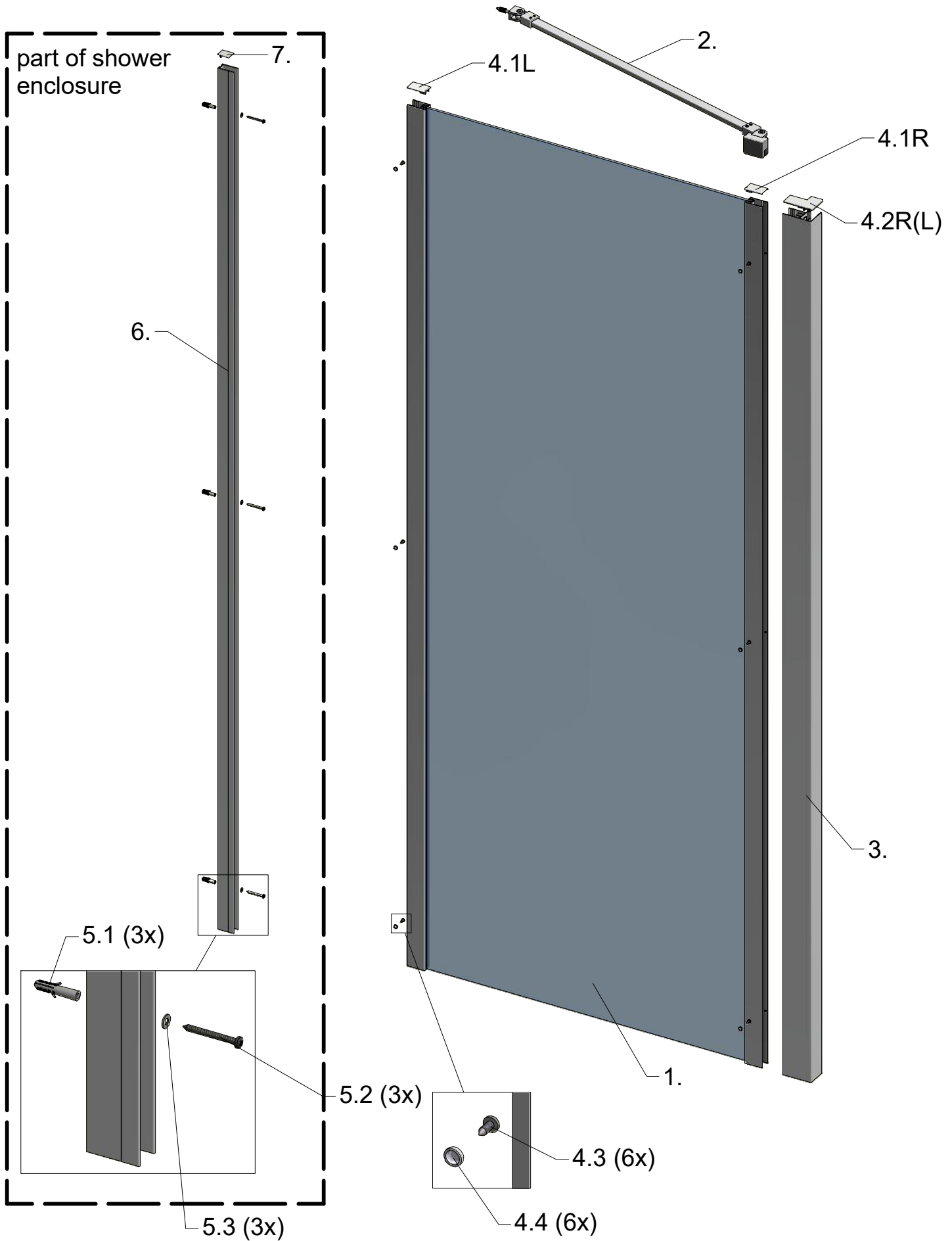
2. P312

SIZE	PROFILE	SPARE PART
300	brillant	MB0229
350	brillant	MB0229
400	brillant	MB0230
450	brillant	MB0230
500	brillant	MB0230
550	brillant	MB0230
600	brillant	MB0231
650	brillant	MB0231
700	brillant	MB0231
750	brillant	MB0231
800	brillant	MB0231
850	brillant	MB0231
900	brillant	MB0231
950	brillant	MB0231
1000	brillant	MB0231
1100	brillant	MB0231
1200	brillant	MB0231

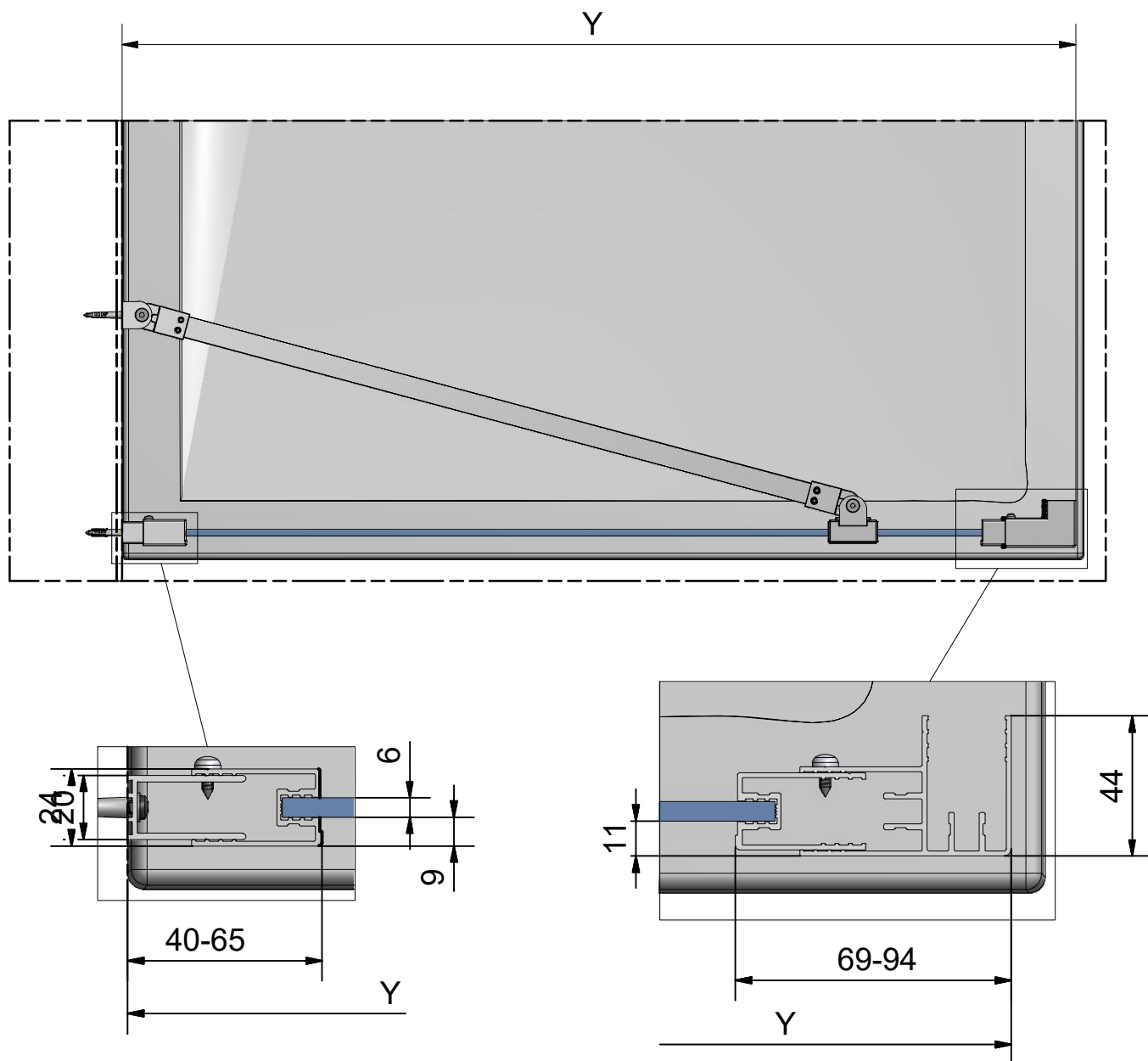
1. V295

SIZE	PR.+GLASS+PR.	SPARE PART
300	clear glass+brillant	ND03-0921-00-02
350	clear glass+brillant	ND03-0922-00-02
400	clear glass+brillant	ND03-0923-00-02
450	clear glass+brillant	ND03-0924-00-02
500	clear glass+brillant	ND03-0925-00-02
550	clear glass+brillant	ND03-0926-00-02
600	clear glass+brillant	ND03-0927-00-02
650	clear glass+brillant	ND03-0928-00-02
700	clear glass+brillant	ND03-0929-00-02
750	clear glass+brillant	ND03-0930-00-02
800	clear glass+brillant	ND03-0904-00-02
850	clear glass+brillant	ND03-0931-00-02
900	clear glass+brillant	ND03-0905-00-02
950	clear glass+brillant	ND03-0932-00-02
1000	clear glass+brillant	ND03-0933-00-02
1100	clear glass+brillant	ND03-0934-00-02
1200	clear glass+brillant	ND03-0935-00-02





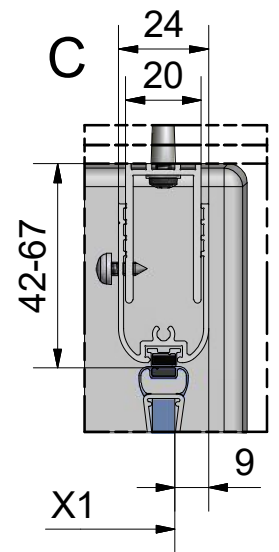
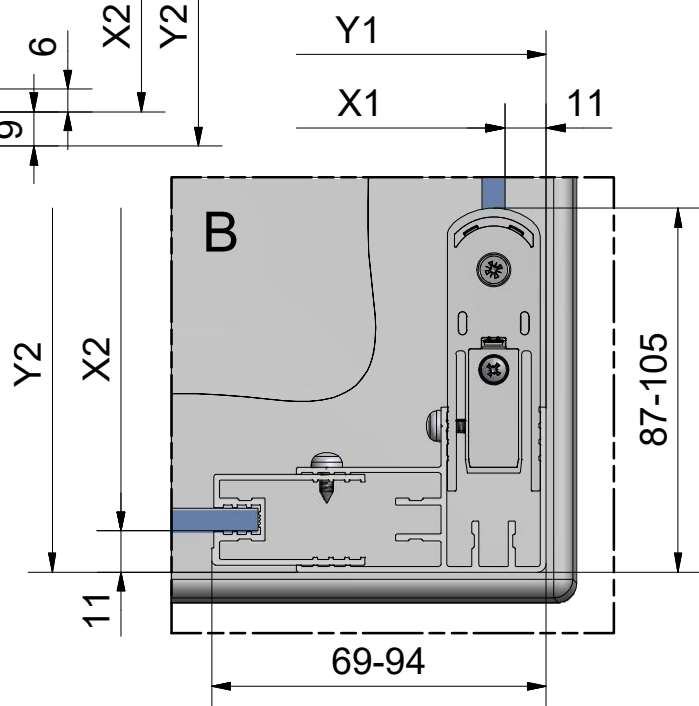
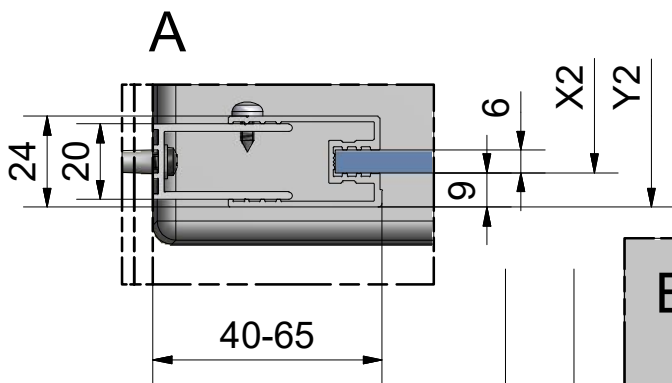
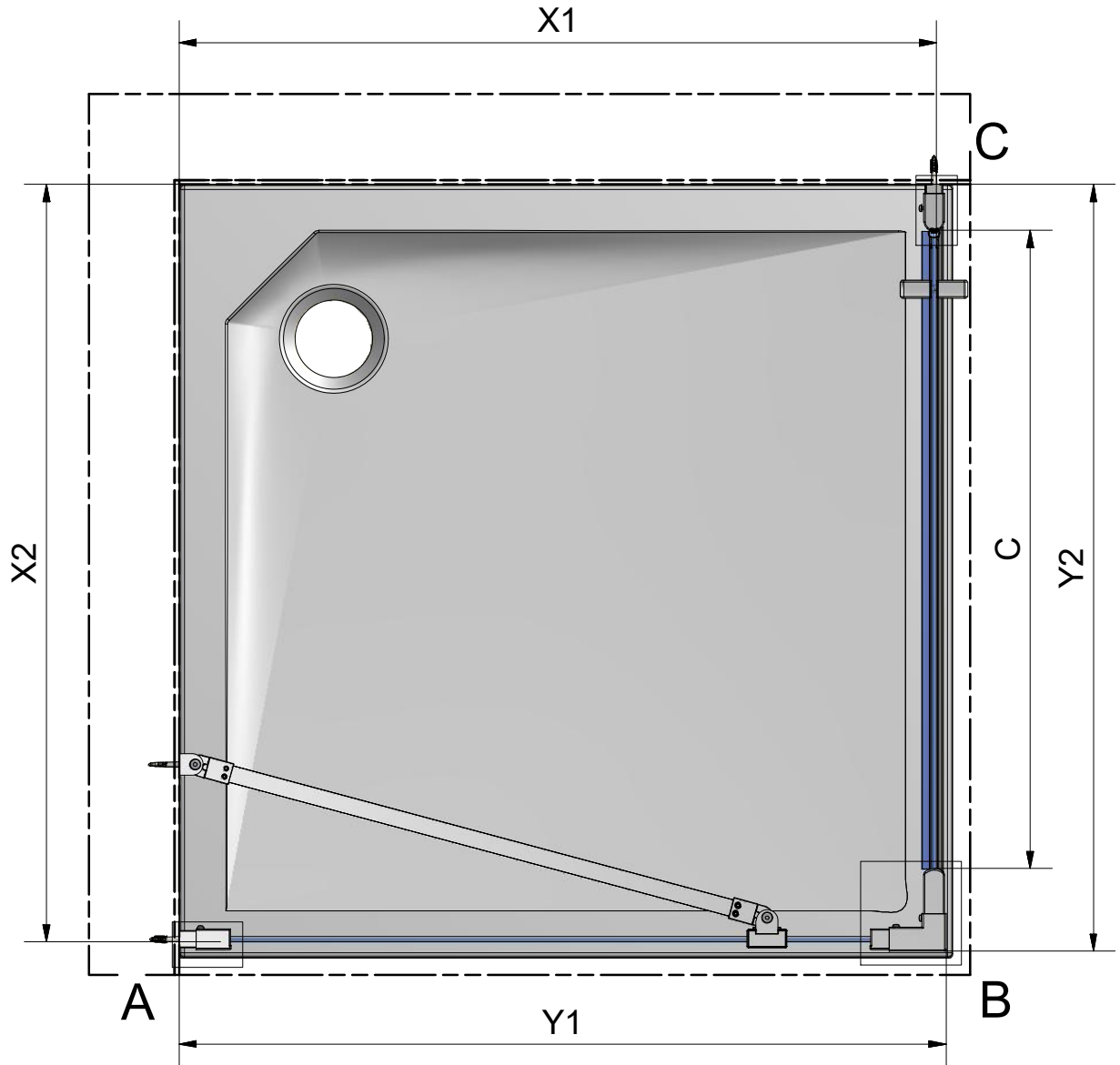
CI FXP



CI FXP	
TYPE	Y (mm)
300	252 - 302
350	302 - 352
400	352 - 402
450	402 - 452
500	452 - 502
550	502 - 552
600	552 - 602
650	602 - 652

CI FXP	
TYPE	Y (mm)
700	652 - 702
750	702 - 752
800	752 - 802
850	802 - 852
900	852 - 902
950	902 - 952
1000	952 - 1002
1100	1052 - 1102
1200	1152 - 1202

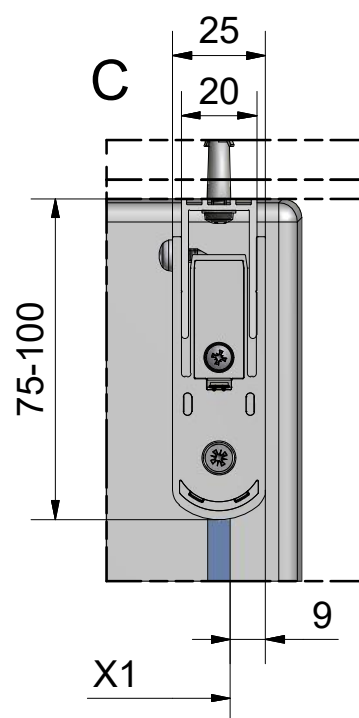
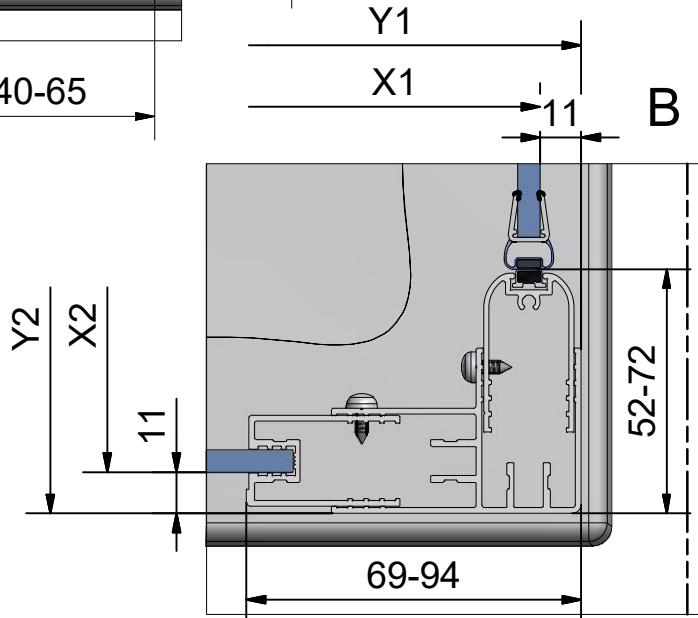
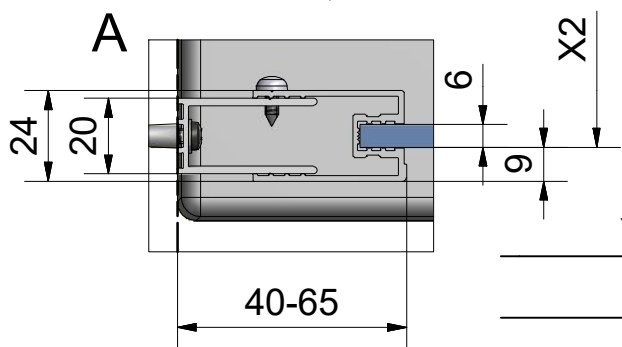
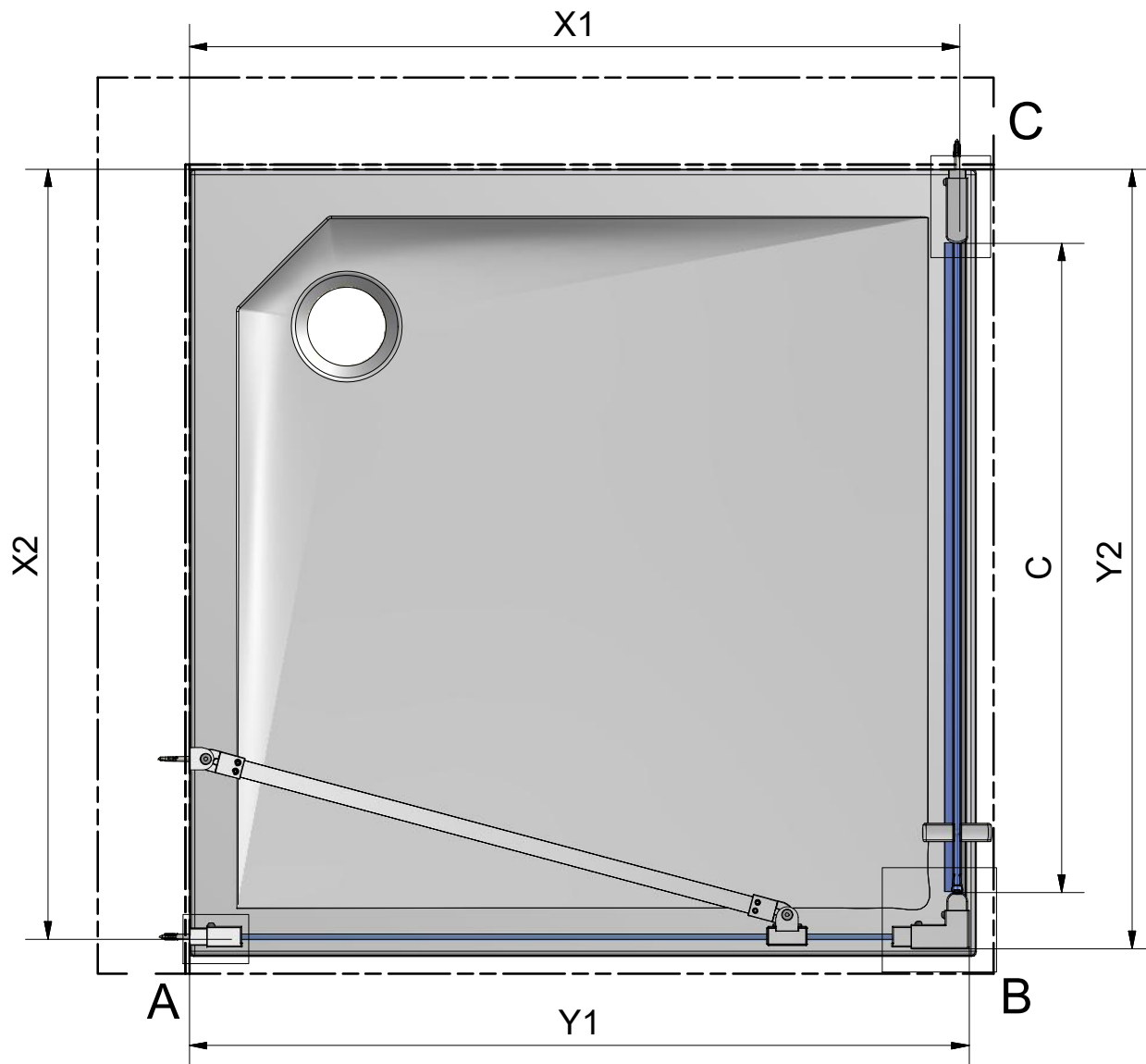
CI FXP + CI PIV



CI FXP + CI PIV

CI FXP + CI PIV					
TYPE	X1 (mm)	Y1 (mm)	X2 (mm)	Y2 (mm)	S (mm)
300	241 - 291	252 - 302	-	-	-
350	291 - 341	302 - 352	-	-	-
400	341 - 391	352 - 402	-	-	-
450	391 - 441	402 - 452	-	-	-
500	441 - 491	452 - 502	-	-	-
550	491 - 541	502 - 552	-	-	-
600	541 - 591	552 - 602	-	-	-
650	591 - 641	602 - 652	-	-	-
700	641 - 691	652 - 702	661 - 704	672 - 715	540
750	691 - 741	702 - 752	711 - 754	722 - 765	590
800	741 - 791	752 - 802	761 - 804	772 - 815	640
850	791 - 841	802 - 852	811 - 854	822 - 865	690
900	841 - 891	852 - 902	861 - 904	872 - 915	740
950	891 - 941	902 - 952	911 - 954	922 - 965	790
1000	941 - 991	952 - 1002	961 - 1004	972 - 1015	840
1100	1041 - 1091	1052 - 1102	-	-	-
1200	1141 - 1191	1152 - 1202	-	-	-
1400	-	-	-	-	-

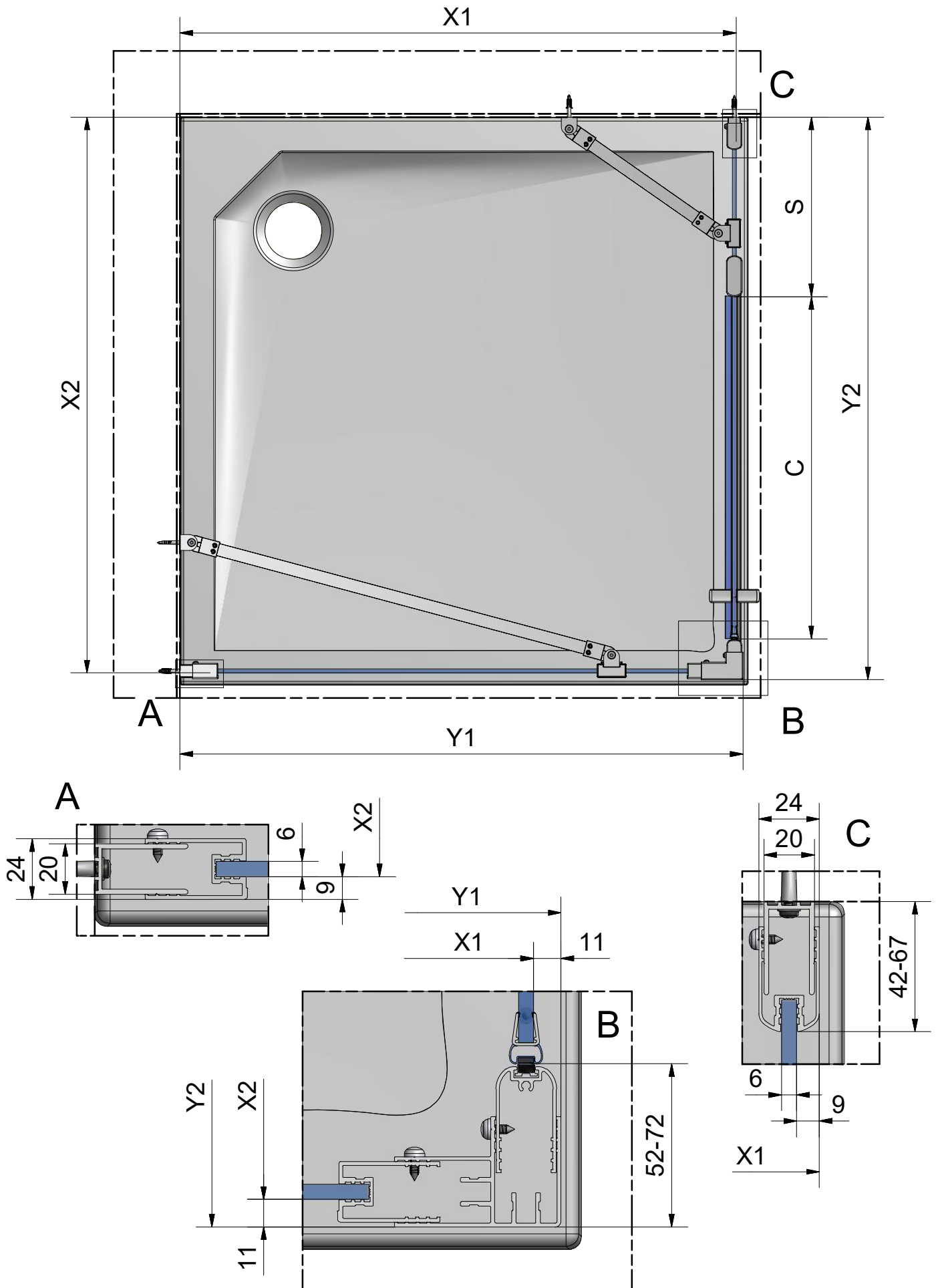
CI FXP + CI PIV



CI FXP + CI PIV

CI FXP + CI PIV					
TYPE	X1 (mm)	Y1 (mm)	X2 (mm)	Y2 (mm)	S (mm)
300	241 - 291	252 - 302	-	-	-
350	291 - 341	302 - 352	-	-	-
400	341 - 391	352 - 402	-	-	-
450	391 - 441	402 - 452	-	-	-
500	441 - 491	452 - 502	-	-	-
550	491 - 541	502 - 552	-	-	-
600	541 - 591	552 - 602	-	-	-
650	591 - 641	602 - 652	-	-	-
700	641 - 691	652 - 702	659 - 704	670 - 715	540
750	691 - 741	702 - 752	709 - 754	720 - 765	590
800	741 - 791	752 - 802	759 - 804	770 - 815	640
850	791 - 841	802 - 852	809 - 854	820 - 865	690
900	841 - 891	852 - 902	859 - 904	870 - 915	740
950	891 - 941	902 - 952	909 - 954	920 - 965	790
1000	941 - 991	952 - 1002	959 - 1004	970 - 1015	840
1100	1041 - 1091	1052 - 1102	-	-	-
1200	1141 - 1191	1152 - 1202	-	-	-

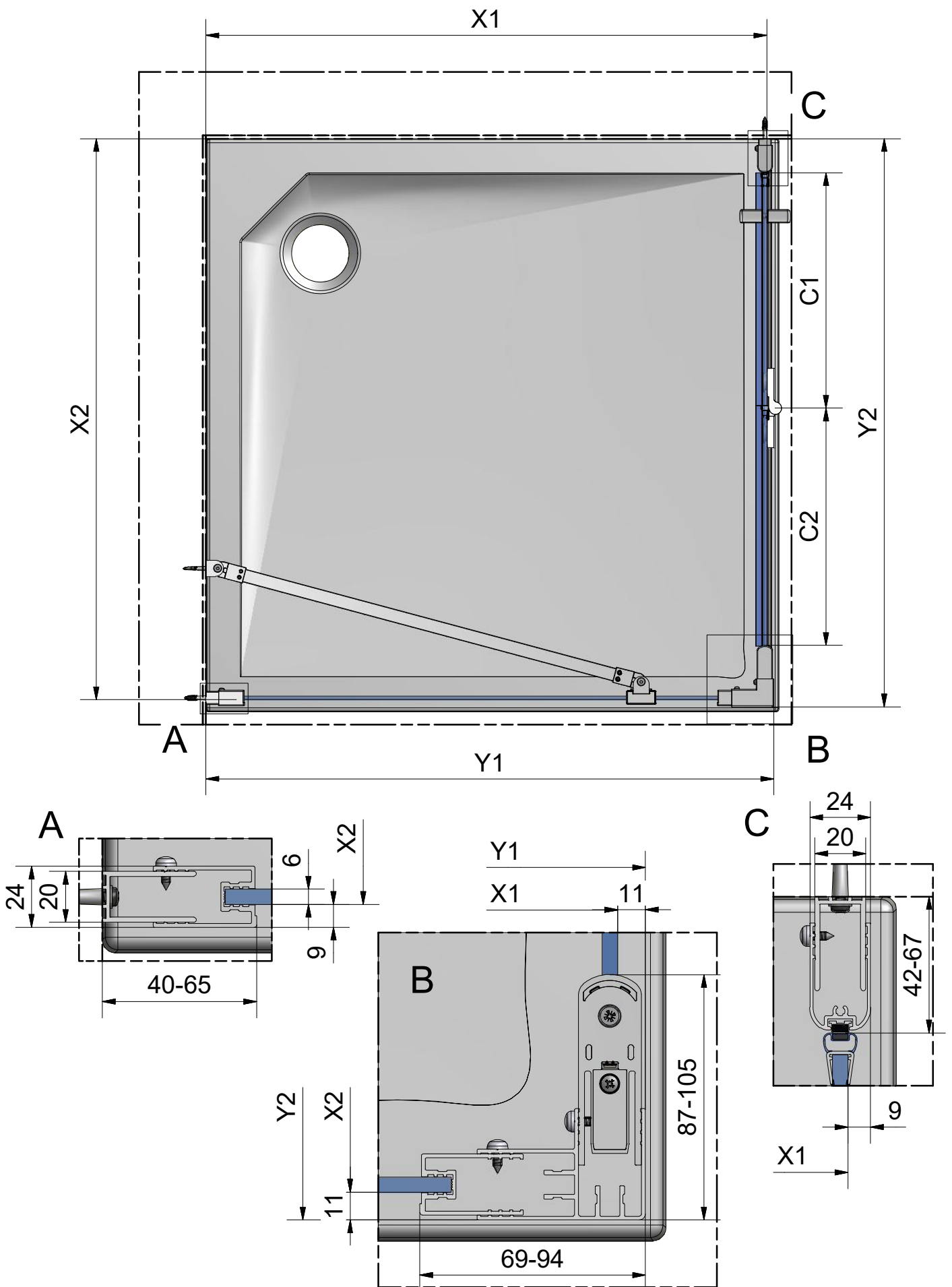
CI FXP + CI PIF



CI FXP + CI PIF

CI FXP + CI PIF						
TYPE	X1 (mm)	Y1 (mm)	X2 (mm)	Y2 (mm)	C (mm)	S (mm)
300	241 - 291	252 - 302	-	-	-	-
350	291 - 341	302 - 352	-	-	-	-
400	341 - 391	352 - 402	-	-	-	-
450	391 - 441	402 - 452	-	-	-	-
500	441 - 491	452 - 502	-	-	-	-
550	491 - 541	502 - 552	-	-	-	-
600	541 - 591	552 - 602	-	-	-	-
650	591 - 641	602 - 652	-	-	-	-
700	641 - 691	652 - 702	-	-	-	-
750	691 - 741	702 - 752	-	-	-	-
800	741 - 791	752 - 802	759 - 804	770 - 815	440	275 - 300
850	791 - 841	802 - 852	-	-	-	-
900	841 - 891	852 - 902	859 - 904	870 - 915	540	275 - 300
950	891 - 941	902 - 952	-	-	-	-
1000	941 - 991	952 - 1002	959 - 1004	970 - 1015	590	325 - 350
1100	1041 - 1091	1052 - 1102	1059 - 1104	1070 - 1115	690	325 - 350
1200	1141 - 1191	1152 - 1202	1159 - 1204	1170 - 1215	690	425 - 450
1220	-	-	1189 - 1234	1200 - 1245	740	405 - 430
1400	-	-	1359 - 1404	1370 - 1415	840	475 - 500

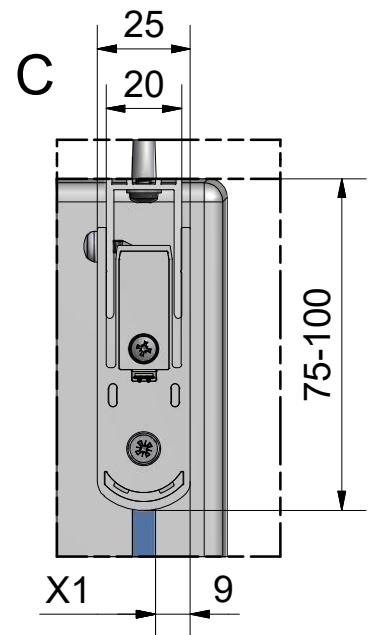
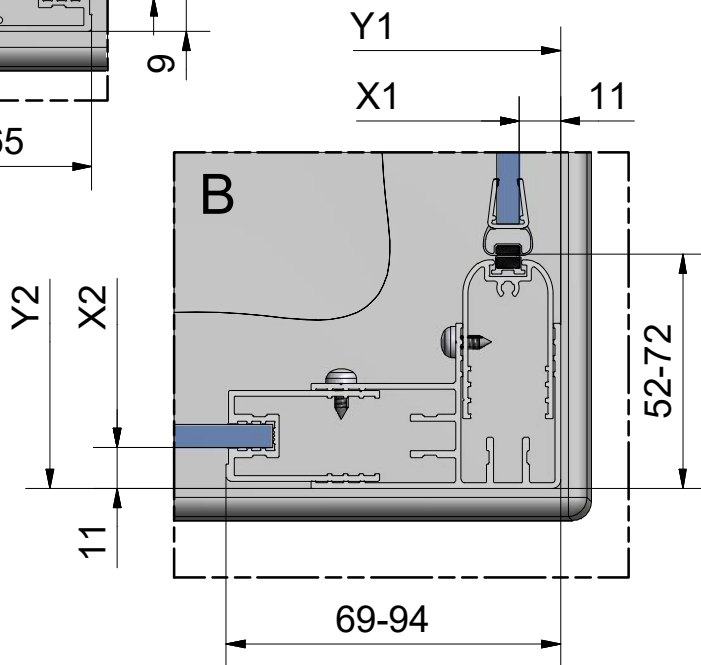
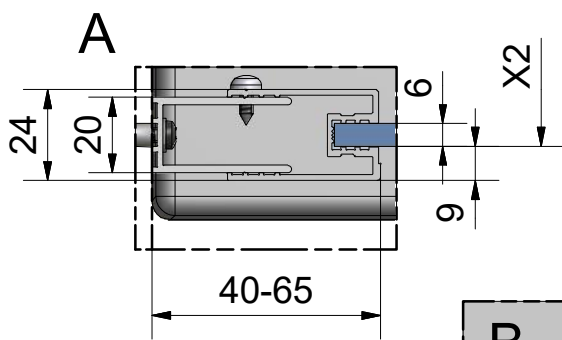
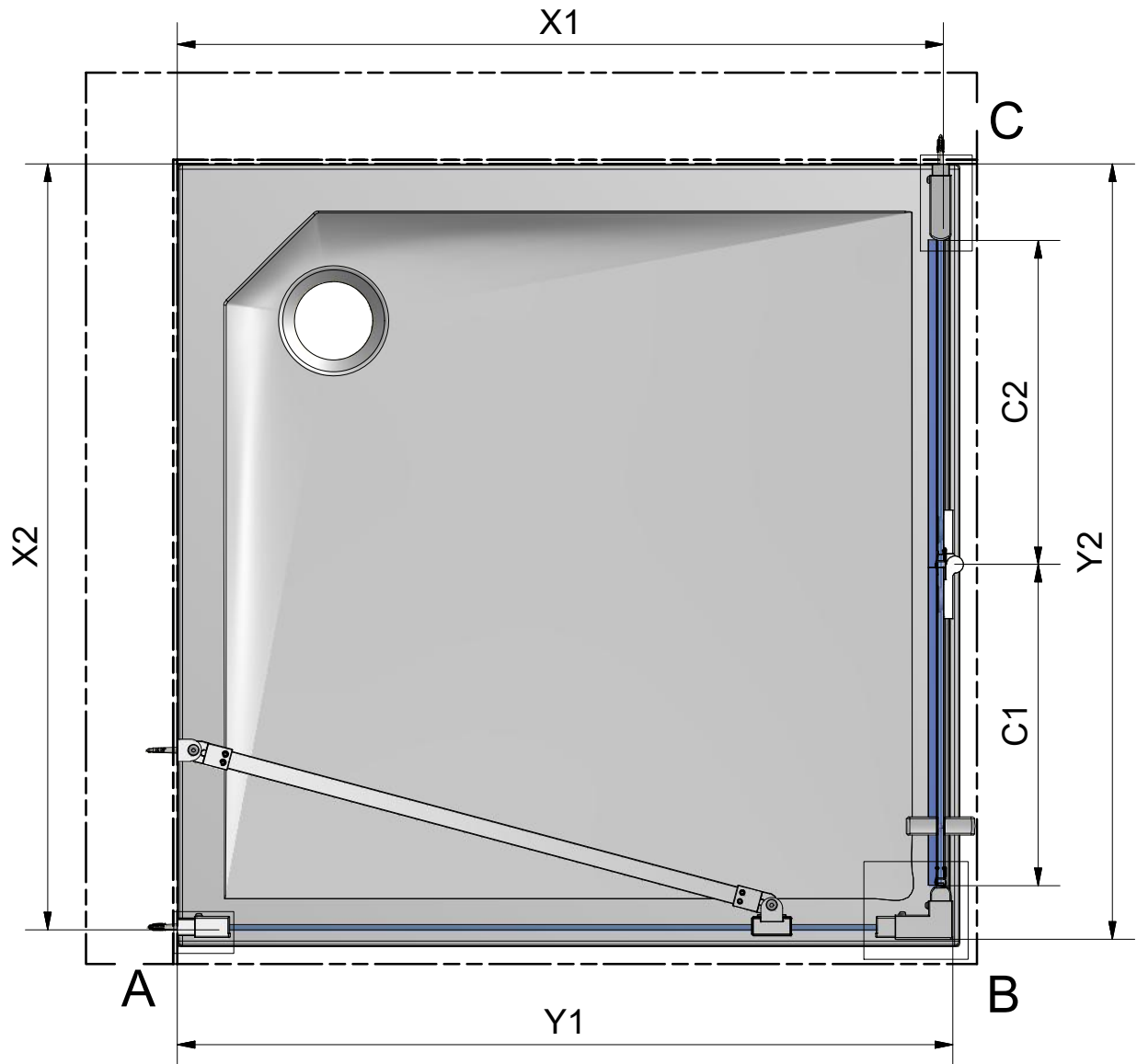
CI FXP + CI PIL



CI FXP + CI PIL

CI FXP + CI PIL						
TYPE	X1 (mm)	Y1 (mm)	X2 (mm)	Y2 (mm)	C1 (mm)	C2 (mm)
300	241 - 291	252 - 302	-	-	-	-
350	291 - 341	302 - 352	-	-	-	-
400	341 - 391	352 - 402	-	-	-	-
450	391 - 441	402 - 452	-	-	-	-
500	441 - 491	452 - 502	-	-	-	-
550	491 - 541	502 - 552	-	-	-	-
600	541 - 591	552 - 602	-	-	-	-
650	591 - 641	602 - 652	-	-	-	-
700	641 - 691	652 - 702	-	-	-	-
750	691 - 741	702 - 752	-	-	-	-
800	741 - 791	752 - 802	761 - 804	772 - 815	320	322
850	791 - 841	802 - 852	-	-	-	-
900	841 - 891	852 - 902	861 - 904	872 - 915	370	372
950	891 - 941	902 - 952	-	-	-	-
1000	941 - 991	952 - 1002	961 - 1004	972 - 1015	420	422
1100	1041 - 1091	1052 - 1102	-	-	-	-
1200	1141 - 1191	1152 - 1202	1161 - 1204	1172 - 1215	520	522
1220	-	-	1211 - 1254	1222 - 1265	545	547

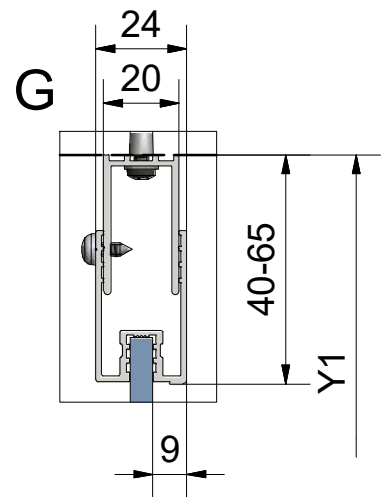
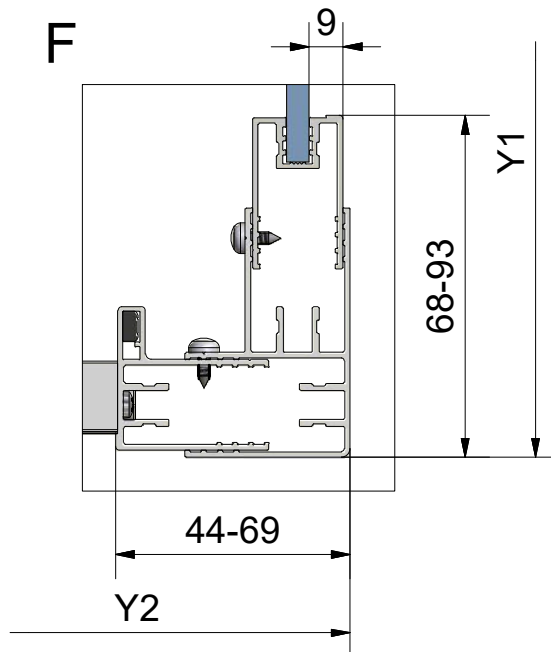
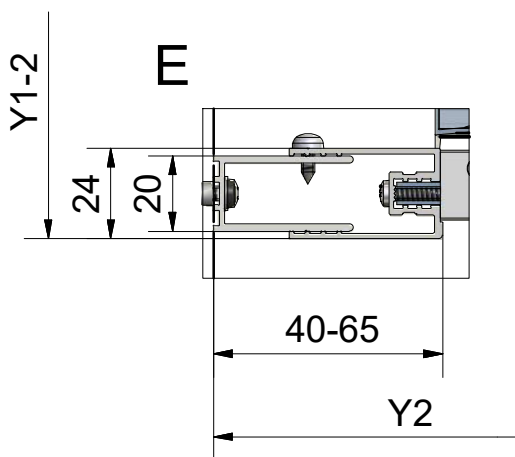
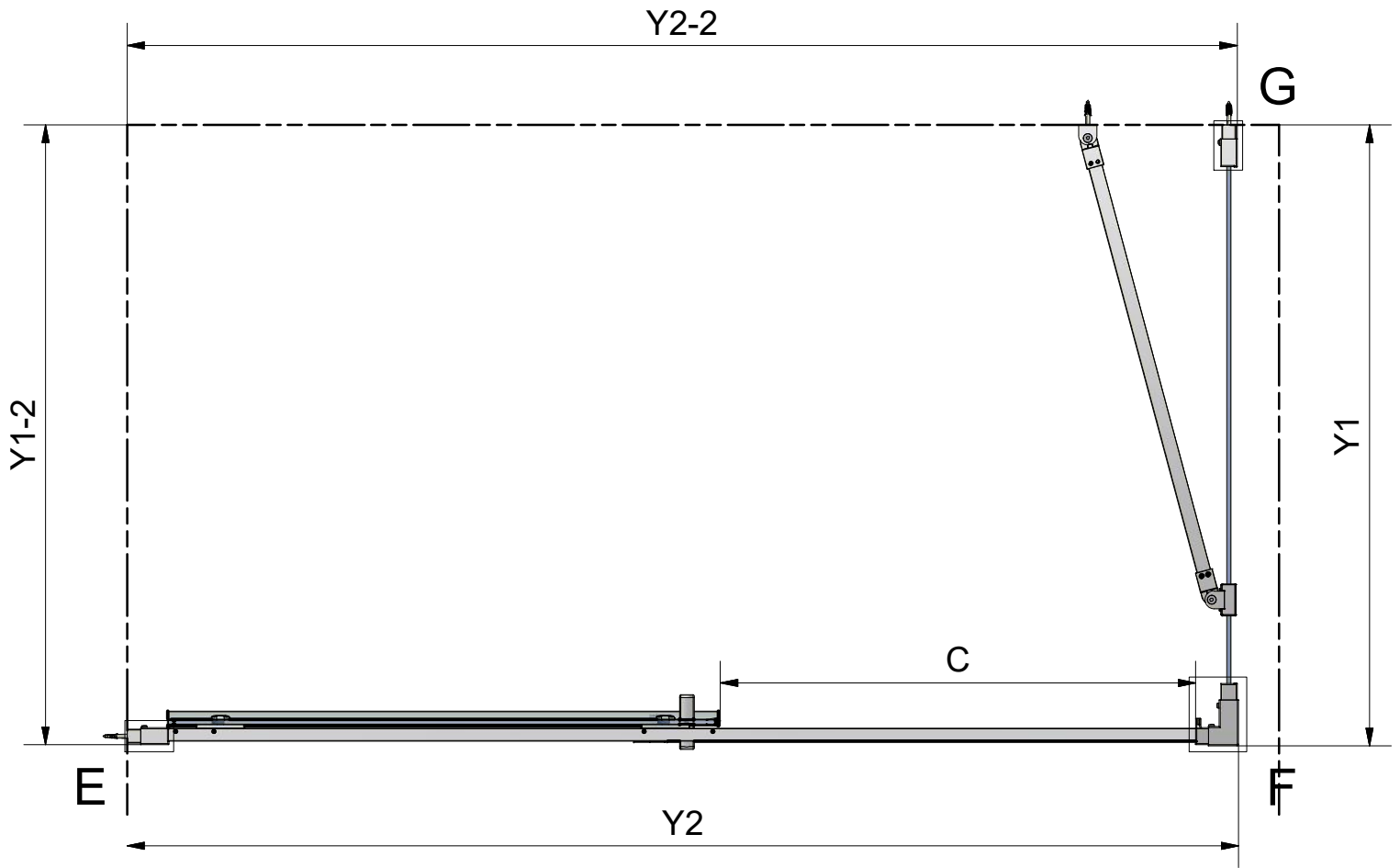
CI FXP + CI PIR



CI FXP + CI PIR

CI FXP + CI PIR						
TYPE	X1 (mm)	Y1 (mm)	X2 (mm)	Y2 (mm)	C1 (mm)	C2 (mm)
300	241 - 291	252 - 302	-	-	-	-
350	291 - 341	302 - 352	-	-	-	-
400	341 - 391	352 - 402	-	-	-	-
450	391 - 441	402 - 452	-	-	-	-
500	441 - 491	452 - 502	-	-	-	-
550	491 - 541	502 - 552	-	-	-	-
600	541 - 591	552 - 602	-	-	-	-
650	591 - 641	602 - 652	-	-	-	-
700	641 - 691	652 - 702	-	-	-	-
750	691 - 741	702 - 752	-	-	-	-
800	741 - 791	752 - 802	759 - 804	770 - 815	320	322
850	791 - 841	802 - 852	-	-	-	-
900	841 - 891	852 - 902	859 - 904	870 - 915	370	372
950	891 - 941	902 - 952	-	-	-	-
1000	941 - 991	952 - 1002	959 - 1004	970 - 1015	420	422
1100	1041 - 1091	1052 - 1102	-	-	-	-
1200	1141 - 1191	1152 - 1202	1159 - 1204	1170 - 1215	520	522
1220	-	-	1209 - 1254	1220 - 1265	545	547

CI FXP + CI D2R(L)

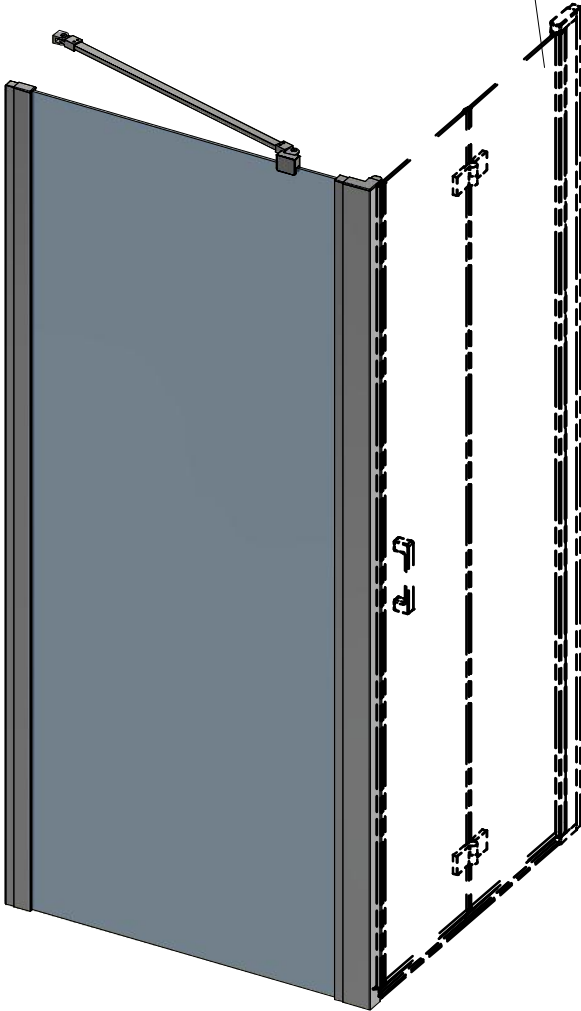


CI FXP + CI D2L(R)

CI FXP + CI D2R(L)			
TYPE	Y1 (mm)	Y2 (mm)	C (mm)
300	252 - 302	-	-
350	302 - 352	-	-
400	352 - 402	-	-
450	402 - 452	-	-
500	452 - 502	-	-
550	502 - 552	-	-
600	552 - 602	-	-
650	602 - 652	-	-
700	652 - 702	-	-
750	702 - 752	-	-
800	752 - 802	-	-
850	802 - 852	-	-
900	852 - 902	-	-
950	902 - 952	-	-
1000	952 - 1002	-	-
1100	1052 - 1102	1063 - 1113	435
1150	-	1113 - 1163	460
1200	1152 - 1202	1163 - 1213	485
1250	-	1213 - 1263	510
1300	-	1263 - 1313	535
1350	-	1313 - 1363	560
1400	-	1363 - 1413	585
1450	-	1413 - 1463	610
1500	-	1463 - 1513	635
1550	-	1513 - 1563	660
1600	-	1563 - 1613	685

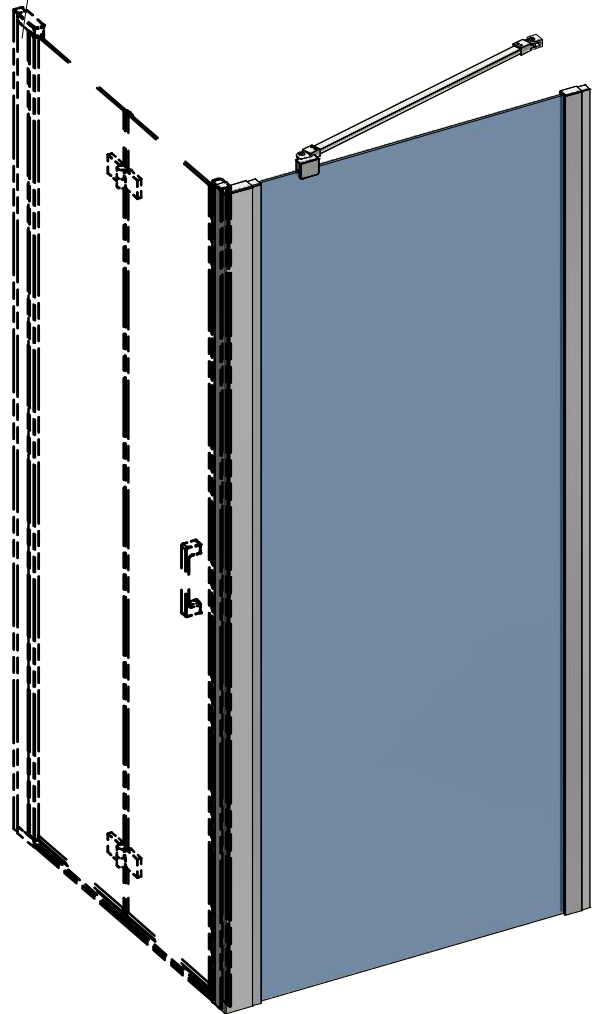
CI FXP

Follow the assembly instructions included with the second product

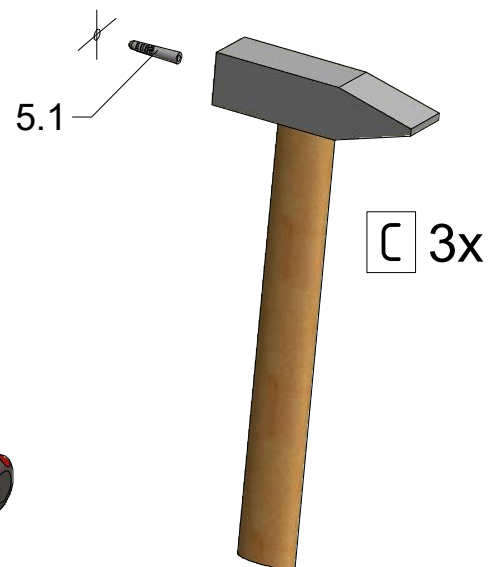
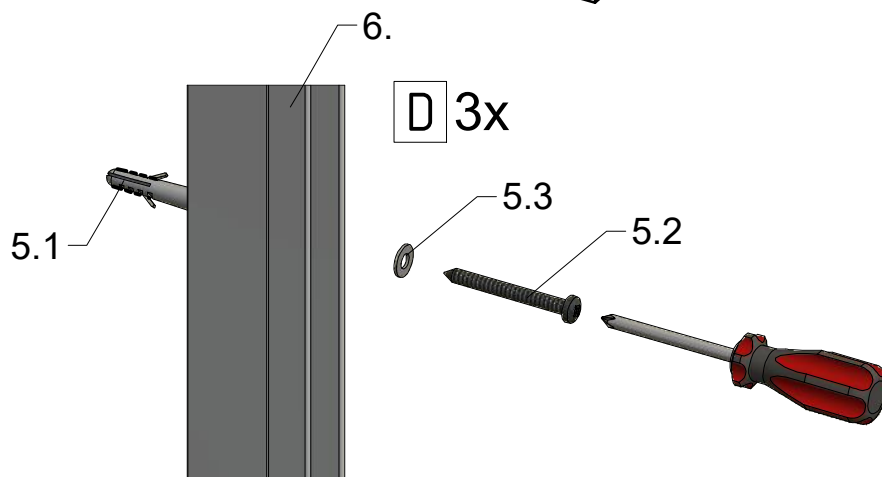
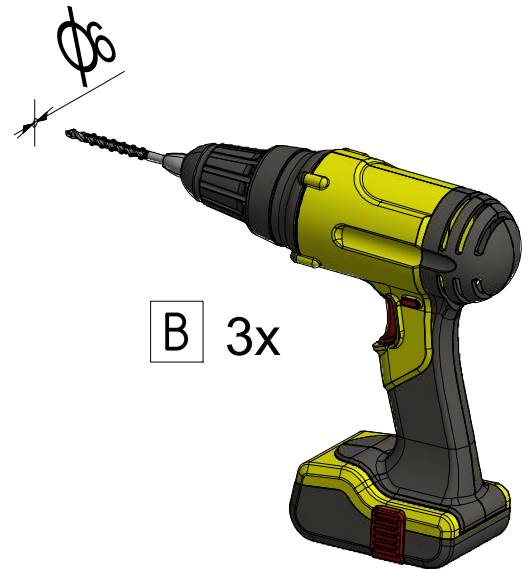
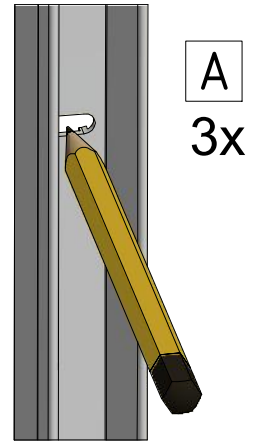
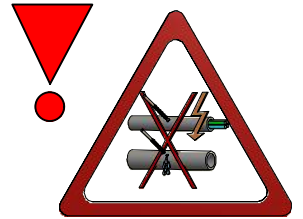
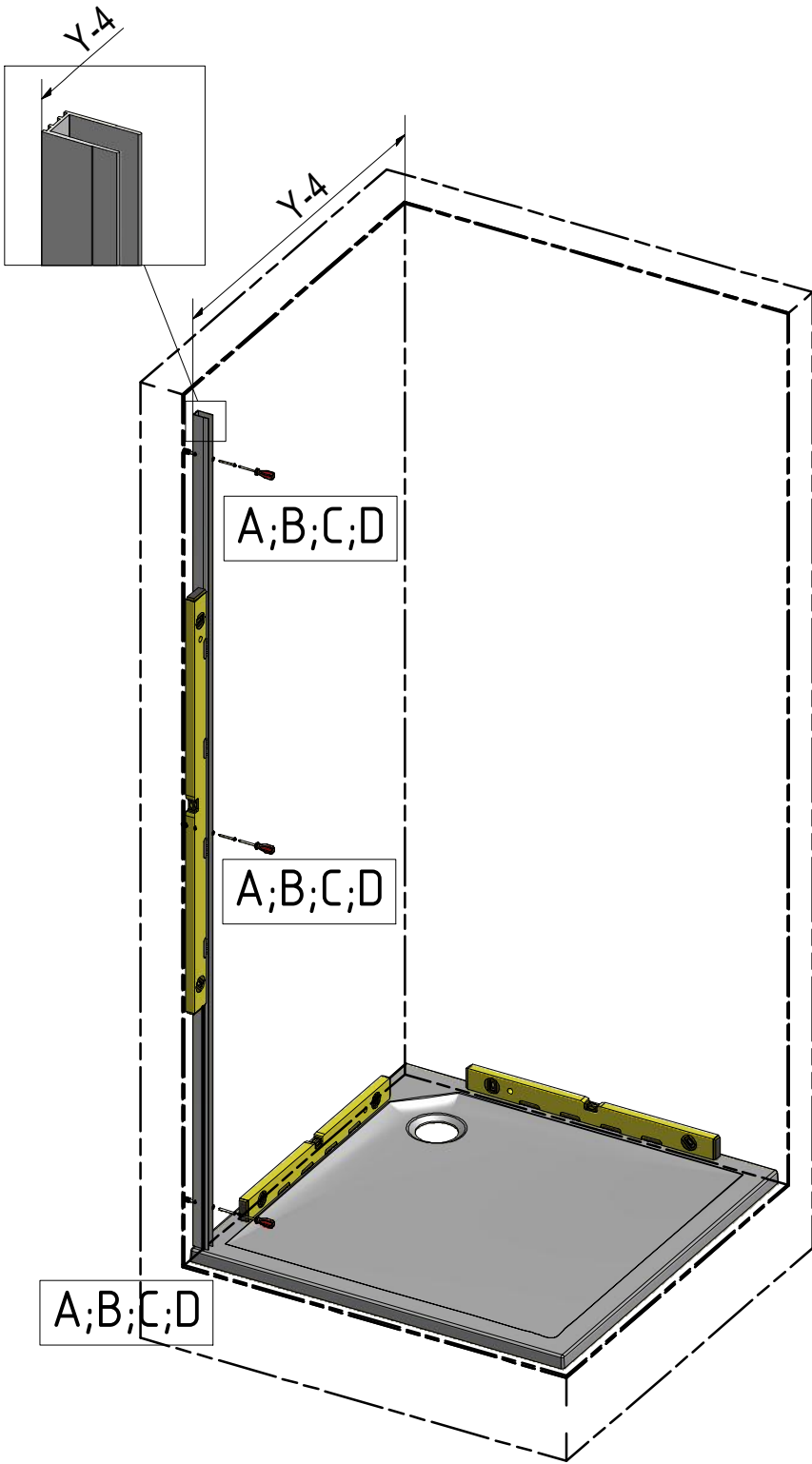


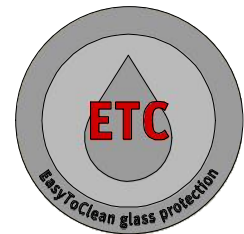
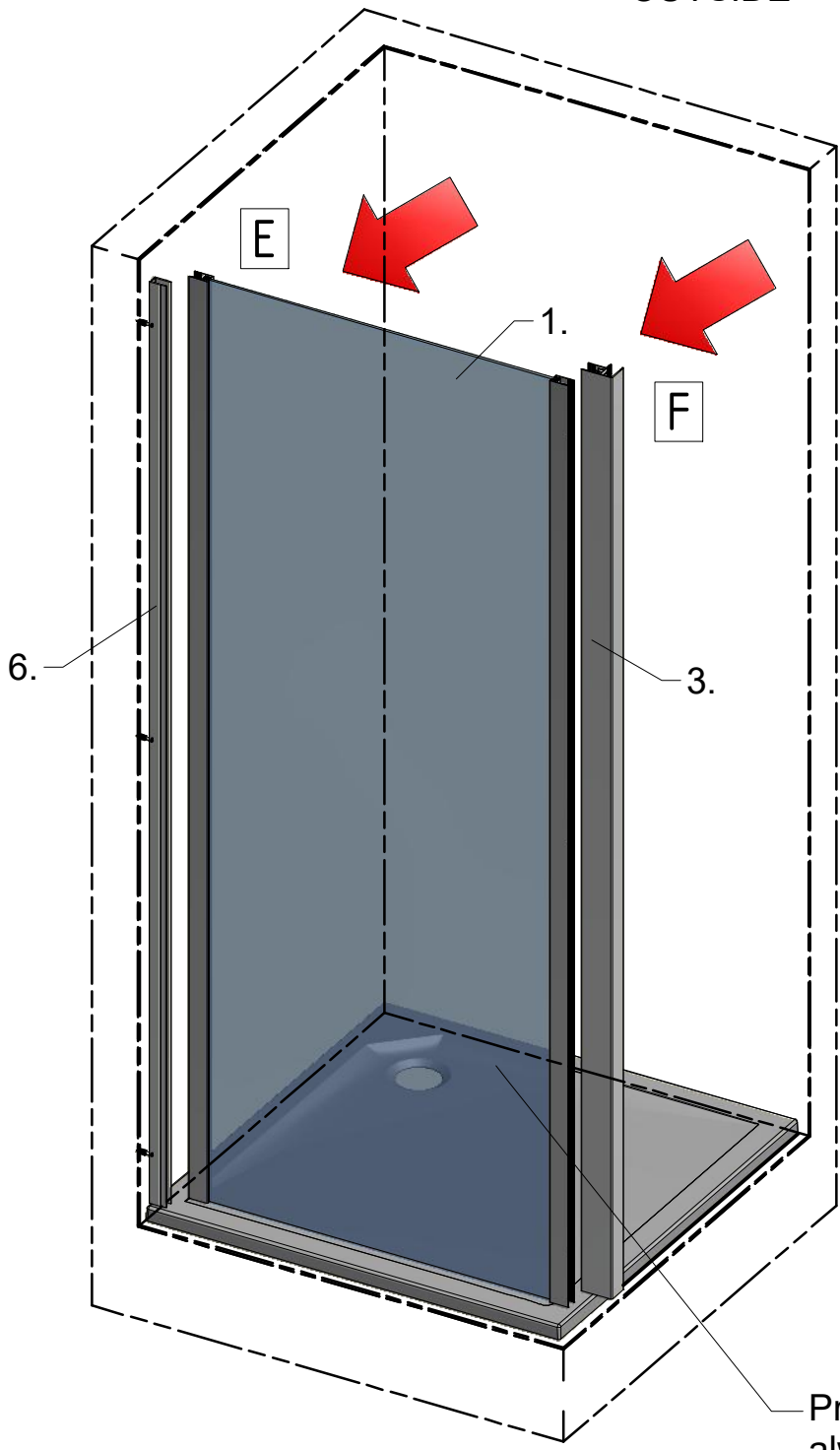
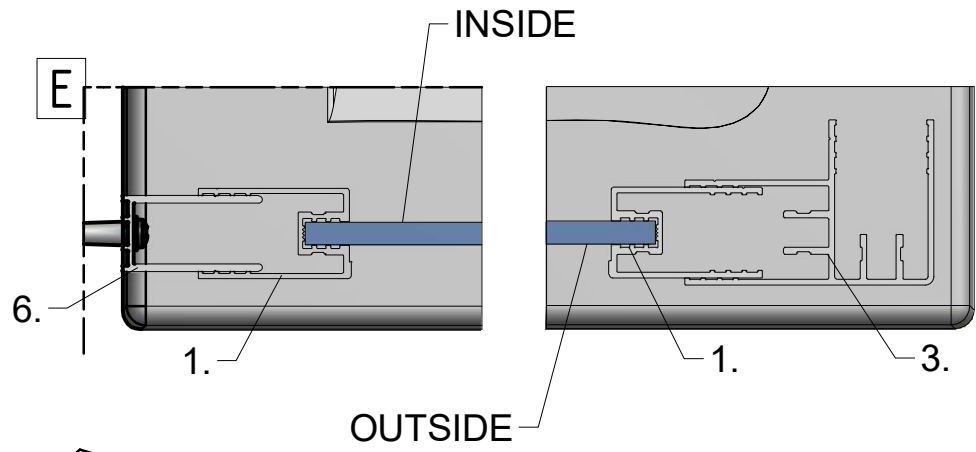
**LEFT Installation
CI FXP**

Follow the assembly instructions included with the second product

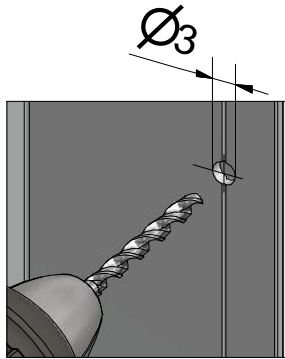
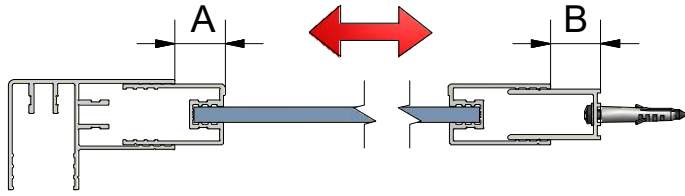


**RIGHT Installation
CI FXP**

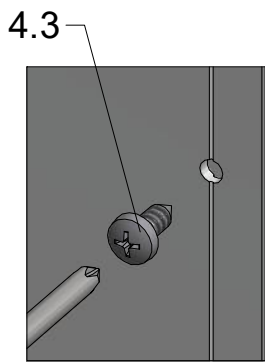




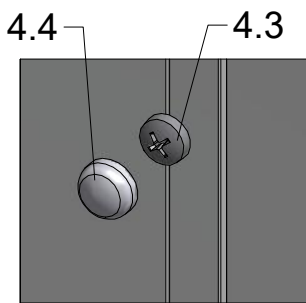
Protective layer ROTH ETC
always in the shower area
(designed for contact with water)



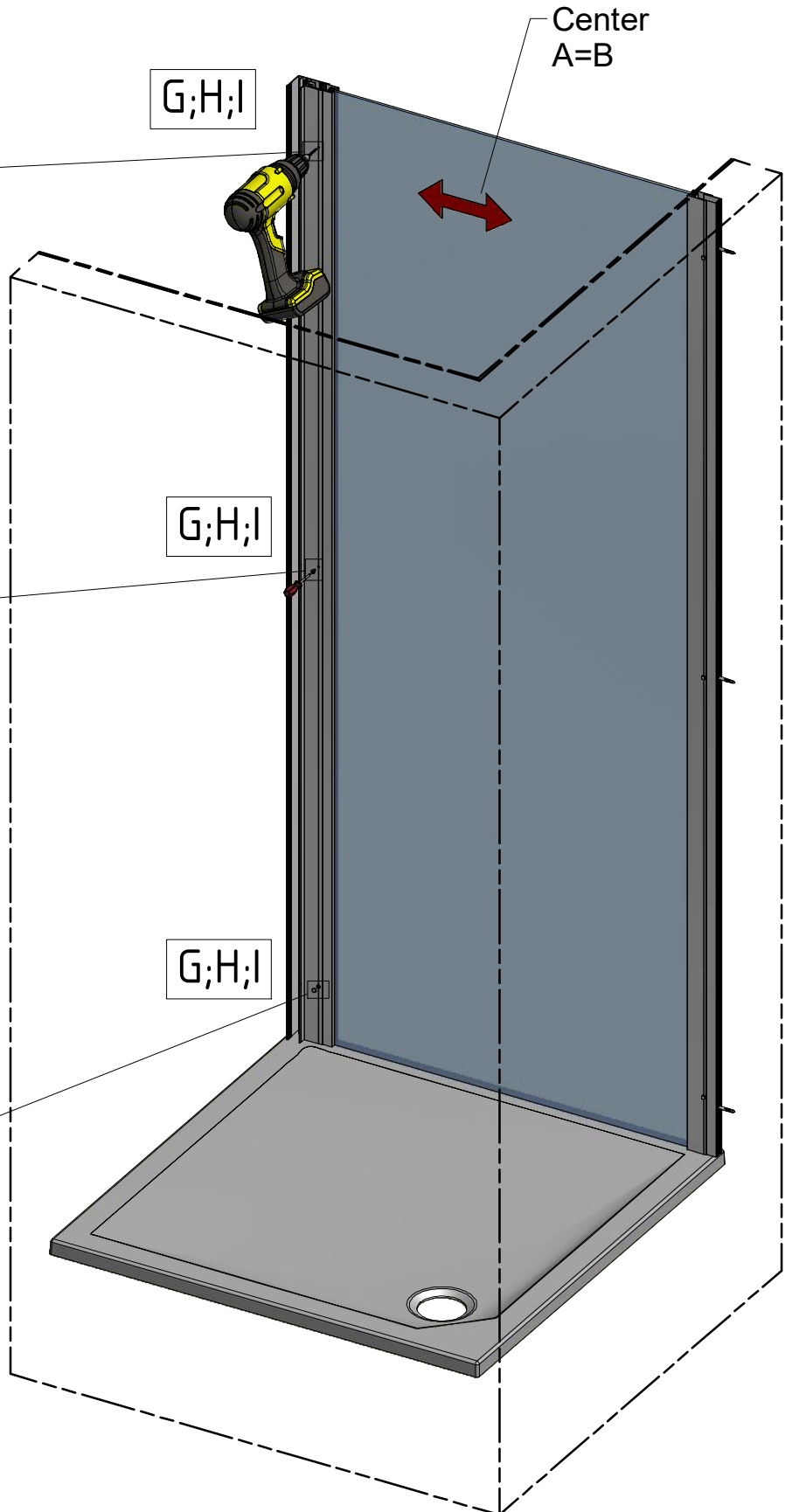
G 3x

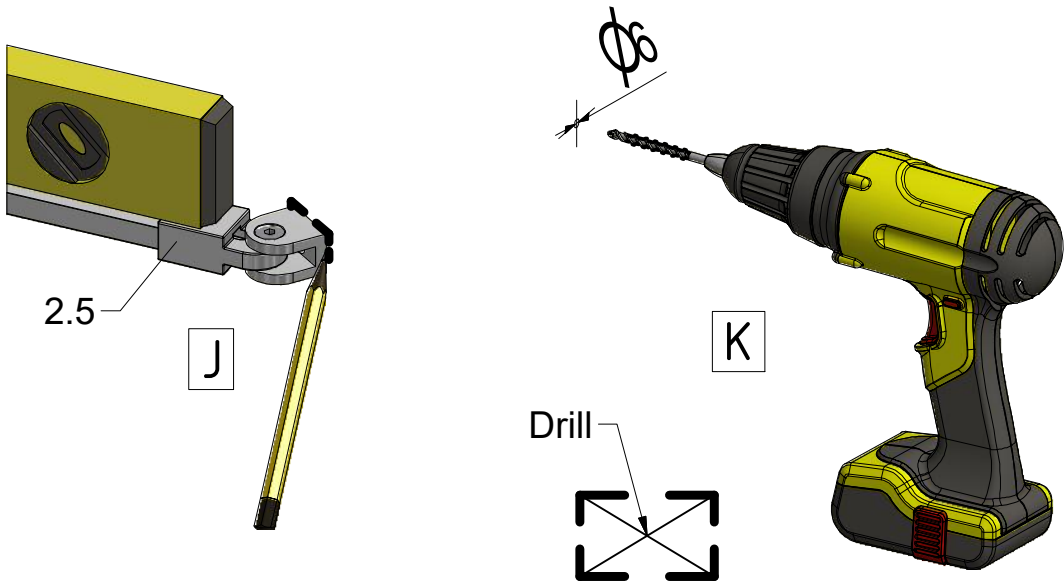


H 3x

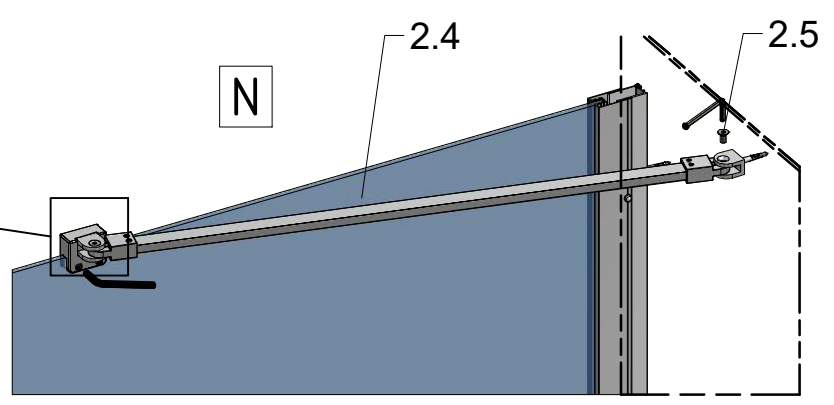
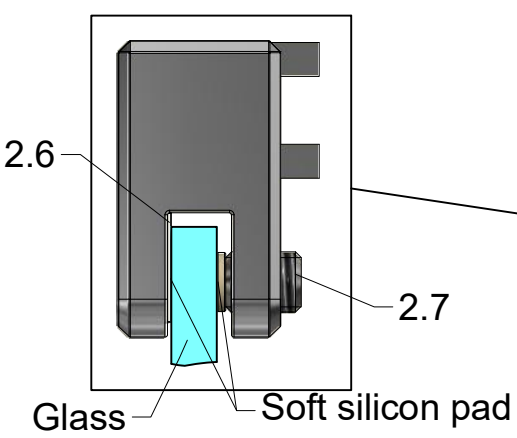
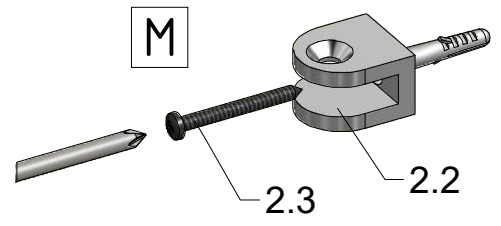
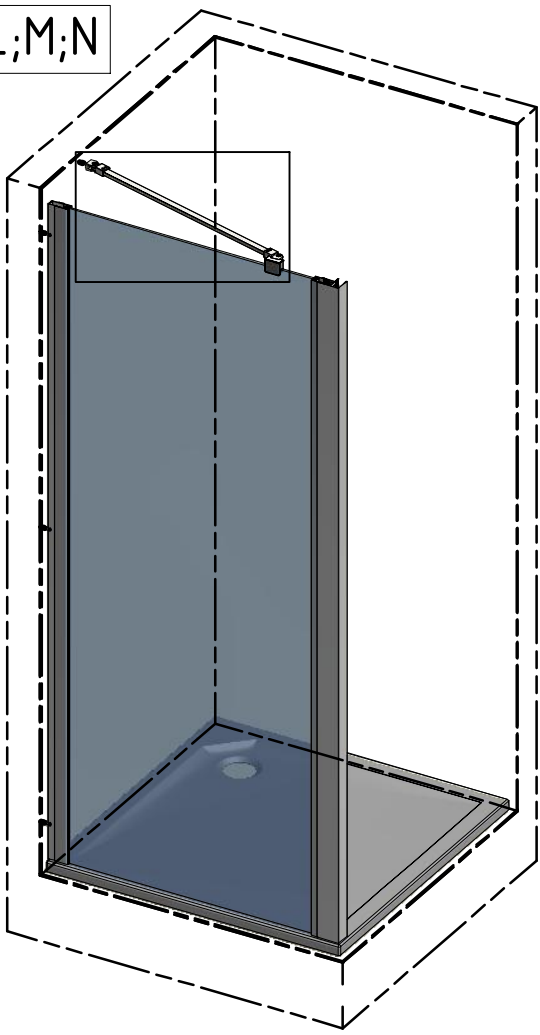


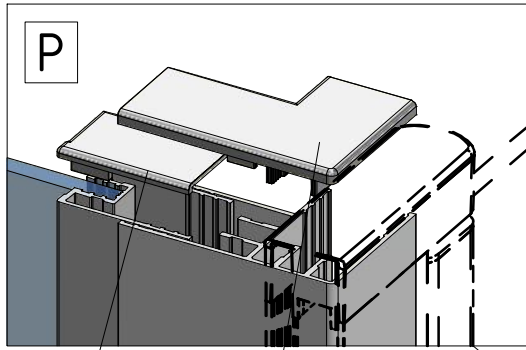
I 3x



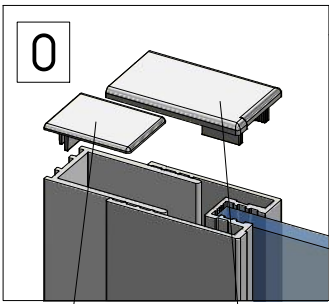


J;K;L;M;N

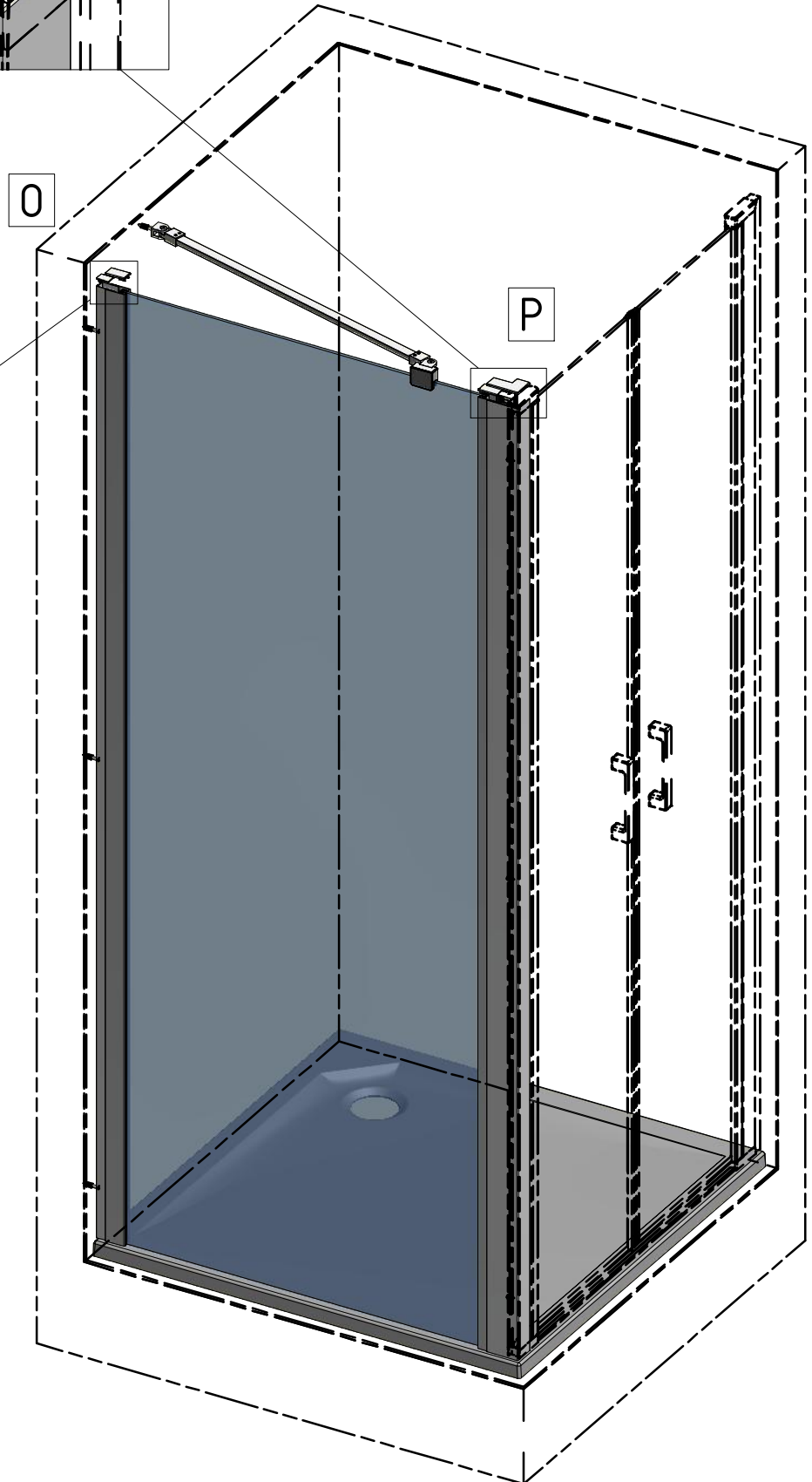




4.1L 4.2R(L)

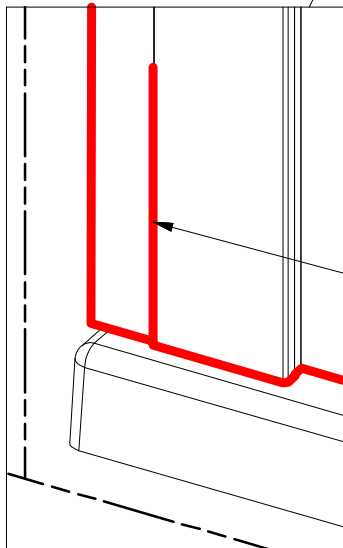
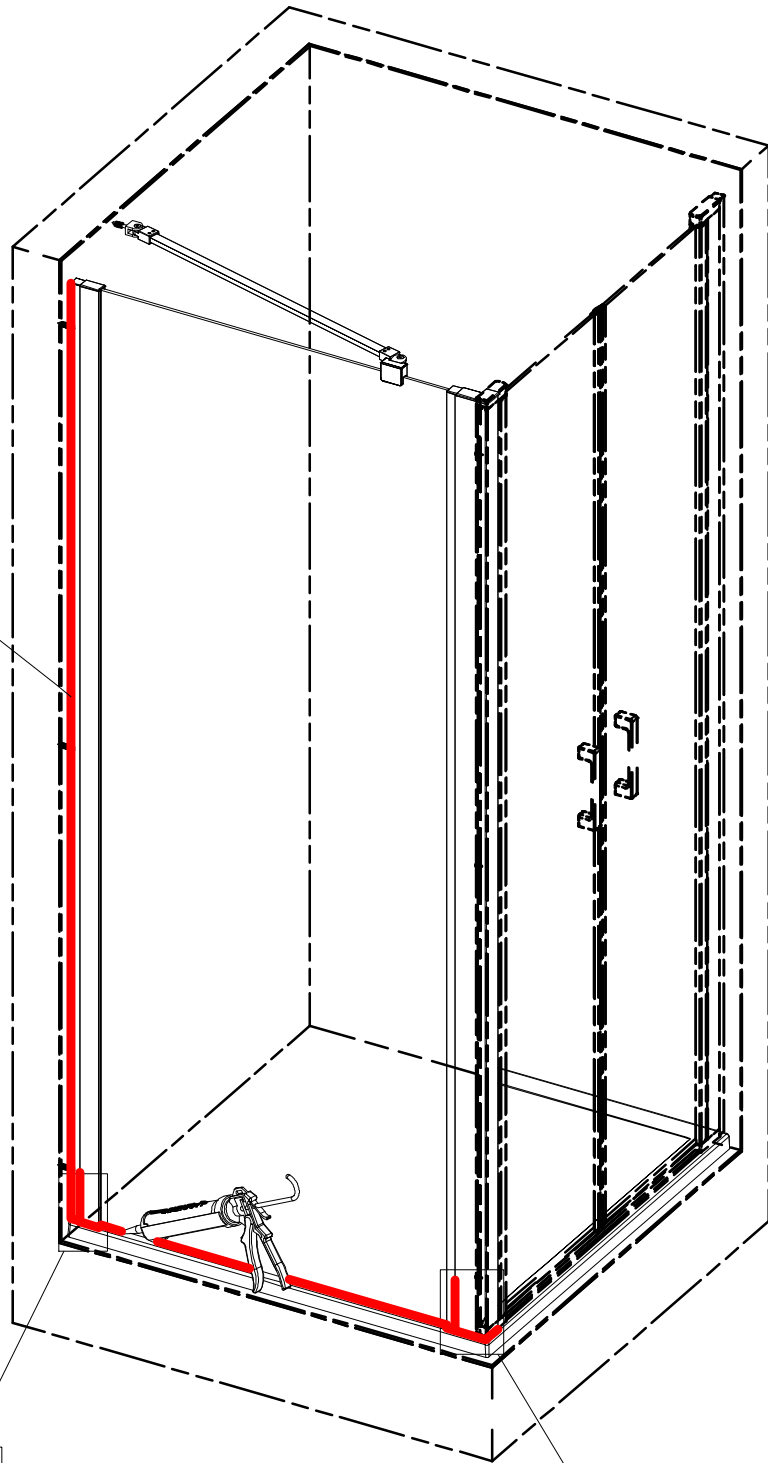


7. 4.1R





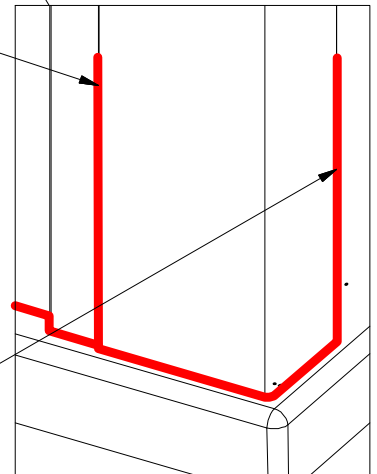
SILICONE

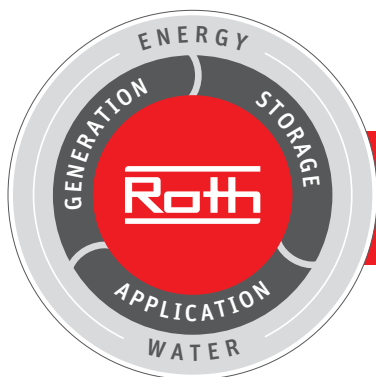


SILICONE
MIN 100mm

SILICONE
MIN 100mm

SILICONE
MIN 100mm





Roth Energy and Sanitary Systems

Generation

- Solar systems <
- Heat pump systems <

Storage

- Storage systems for Domestic & heating water <
- Combustibles and biofuels <
- Rainwater and waste water <

Application

- > Radiant heating and cooling systems
- > Pipe installation systems
- > Shower system

Roth

■ Deutschland

ROTH WERKE GMBH

Am Seerain 2
35232 Dautphetal
Telefon: 06466/922-0
Telefax: 06466/922-100
E-Mail: service@roth-werke.de
www.roth-werke.de

■ Czech Republic

Roth Czech s.r.o.

Třebořov 160
569 33 Třebořov
Tel.: +420 461 353 611
E-Mail: objednavky@roth-czech.cz
www.roth-czech.cz

■ France

ROTH FRANCE

CS 20090
78, rue Ampère - ZI
77465 Lagny sur Marne Cedex
Tél.: +420 461 353 611
www.roth-france.fr