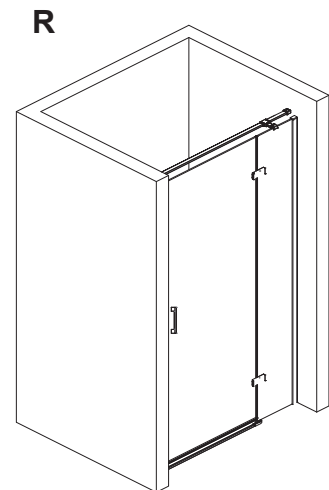
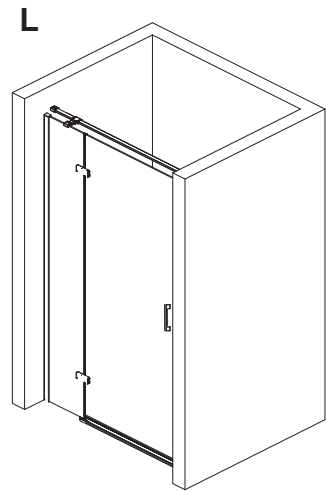
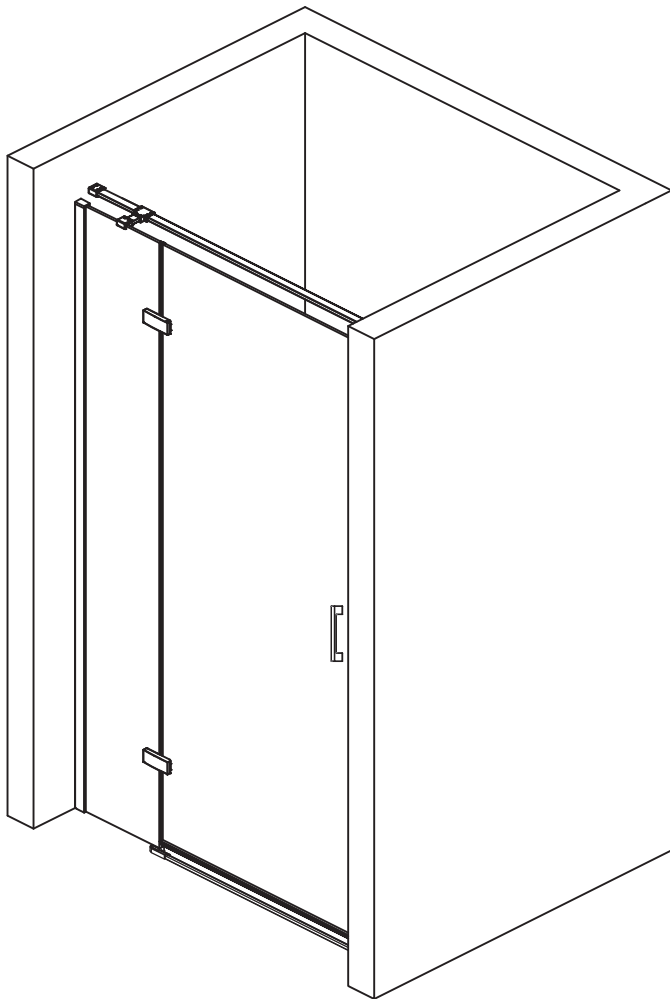
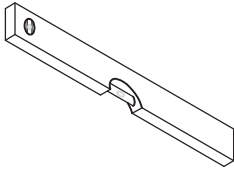
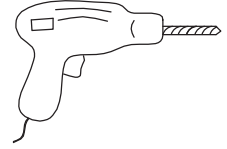
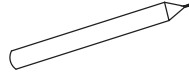
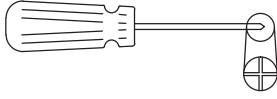
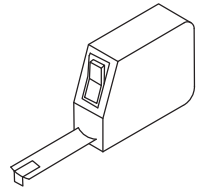
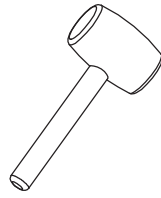
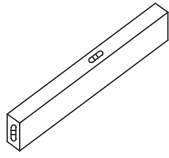

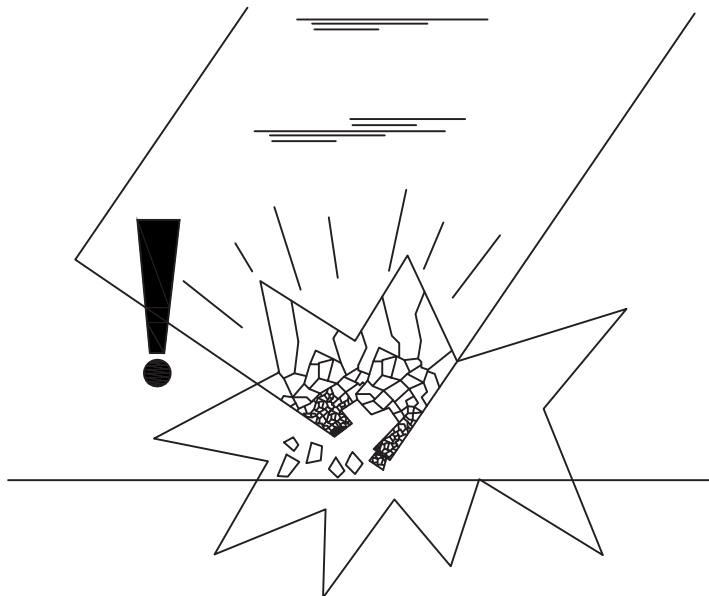
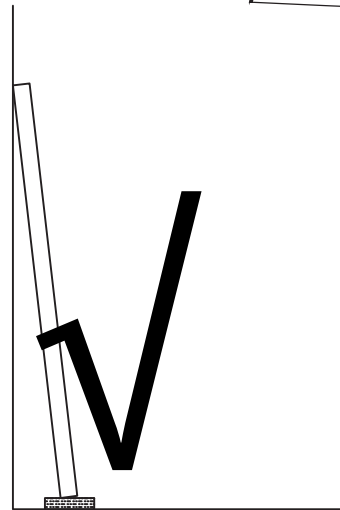
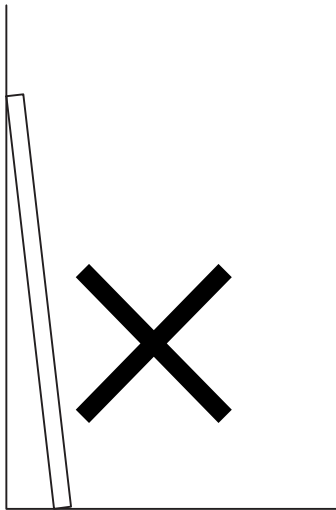
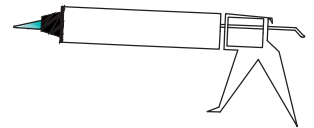



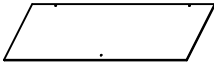

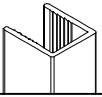









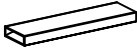


Model NO. 4000725
4000726
4000727
4000755
4000756
4000757

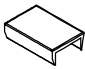


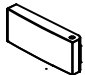





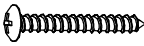






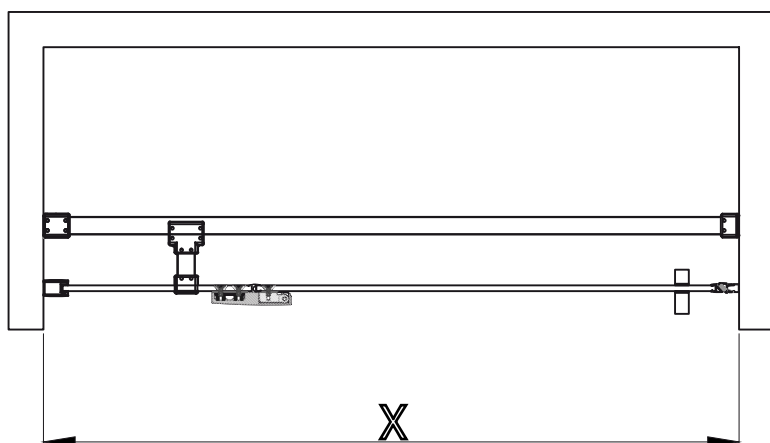



Ø6 Ø2.8

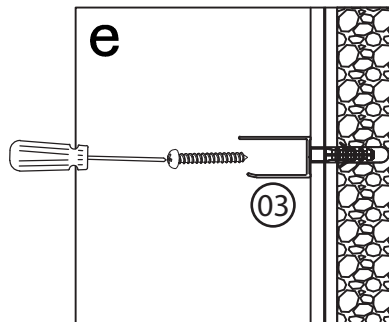
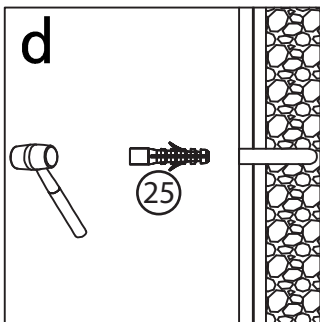
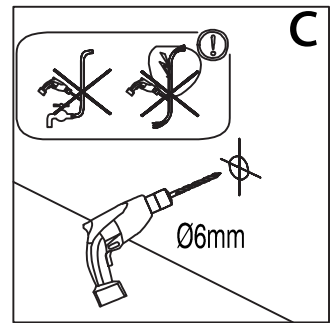
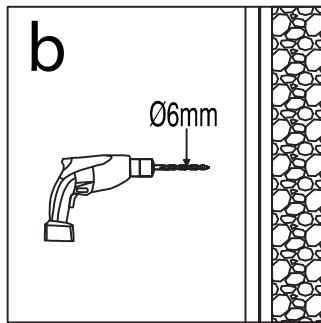
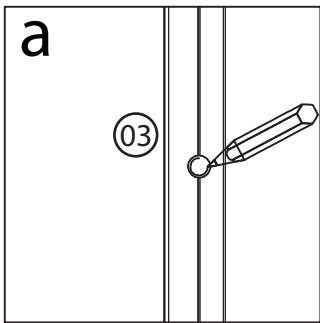
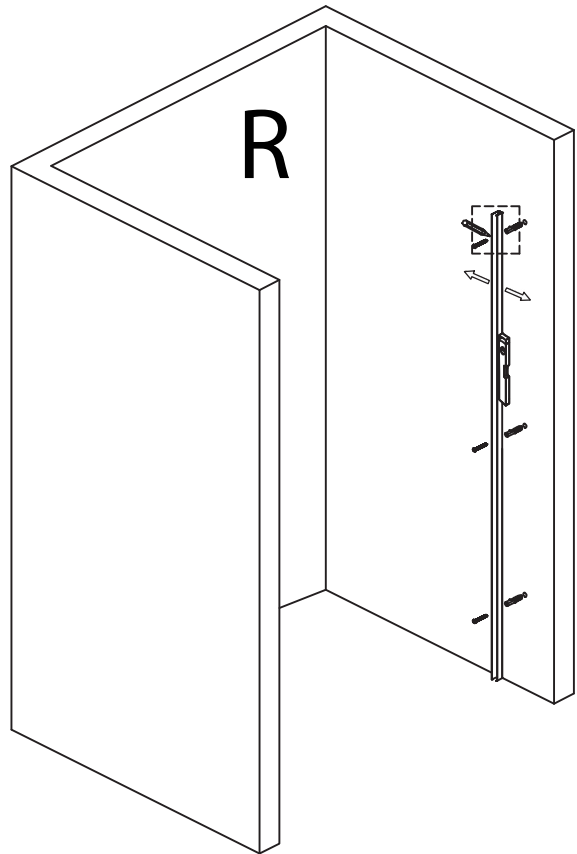
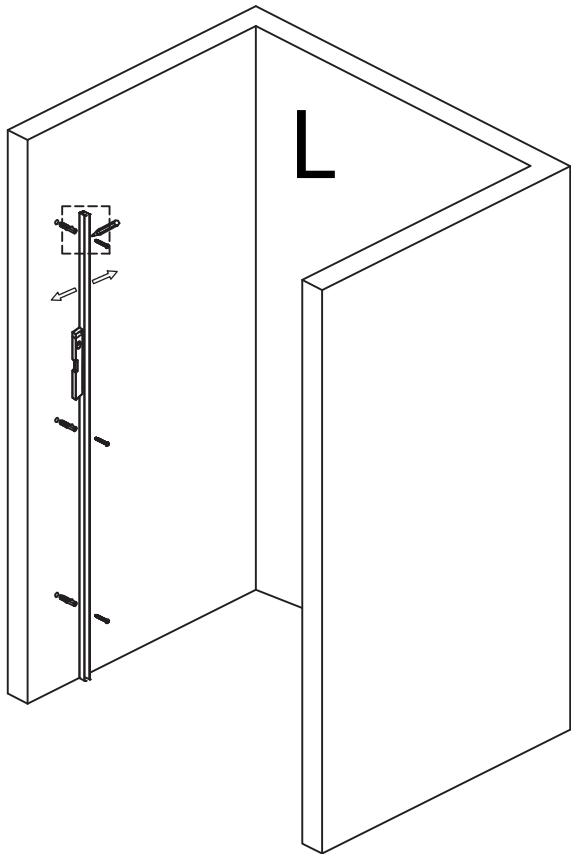


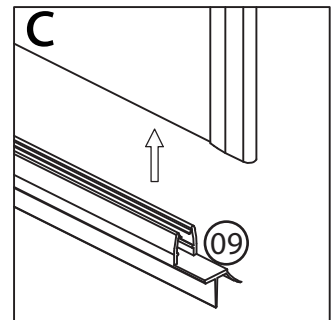
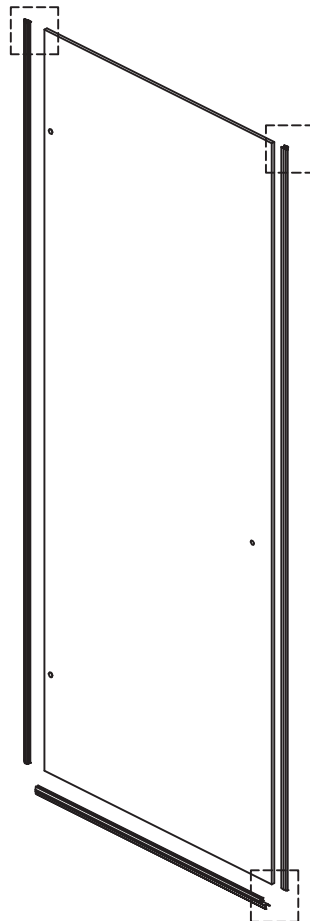
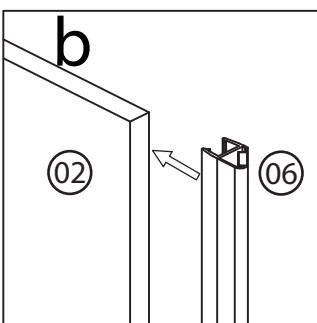
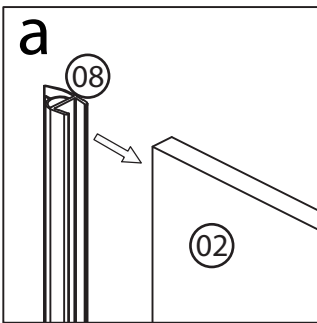
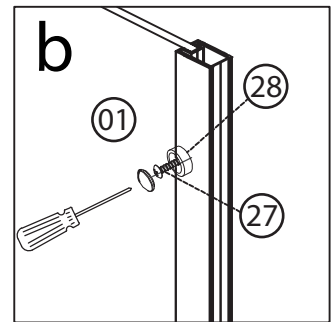
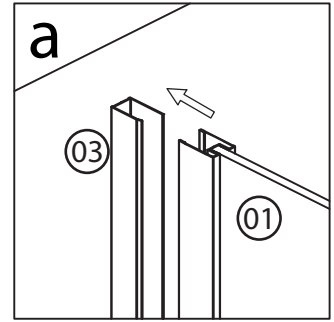
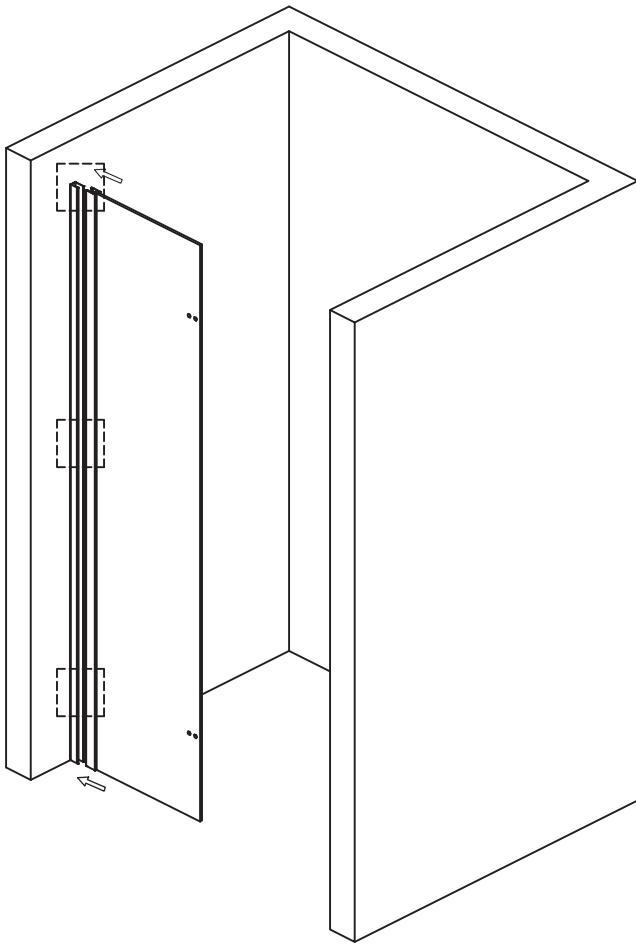
Serial number	Graphical	Name	Quantity	ID
01			1PCS	V224
02			1PCS	V225
03			1PCS	ND01-3854
04			1PCS	ND01-3855
05			1PCS	P303
06			1PCS	ND01-3858
07			1PCS	
08			1PCS	ND01-3859
09			1PCS	T43
10			1PCS	ND01-3861
11			1PCS	ND01-3856
12		100mm	1PCS	
13			1PCS	
14		1160mm	1PCS	
15			2PCS	
16			2PCS	

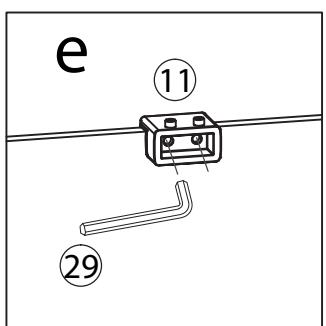
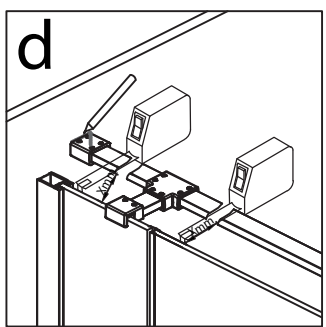
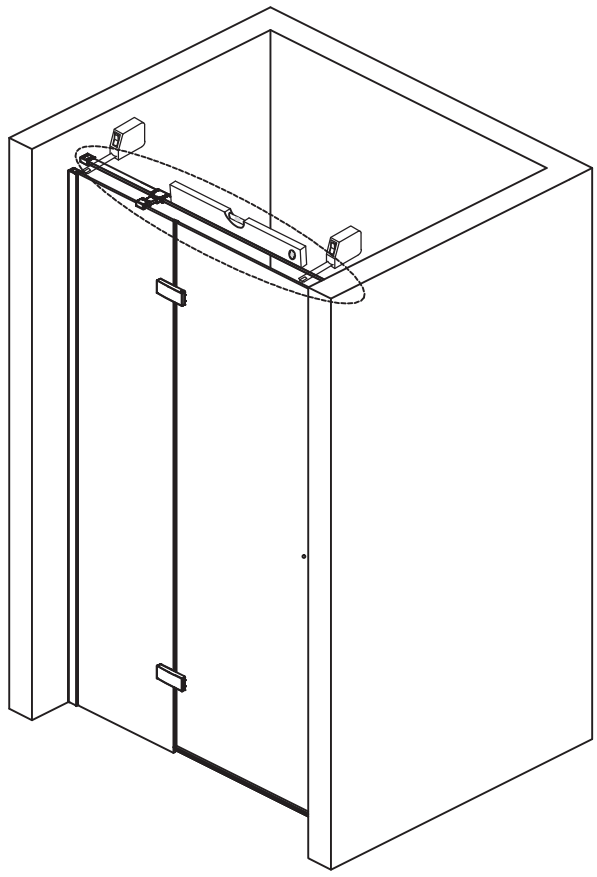
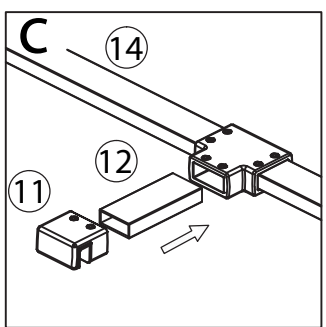
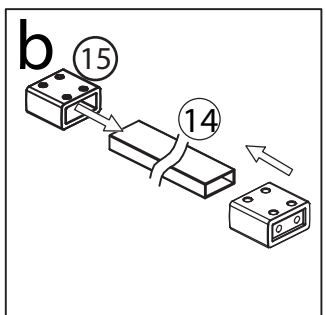
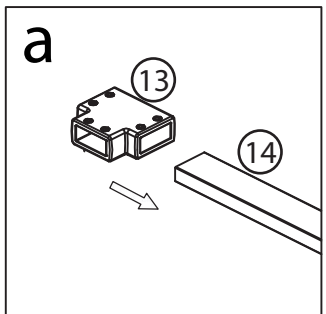
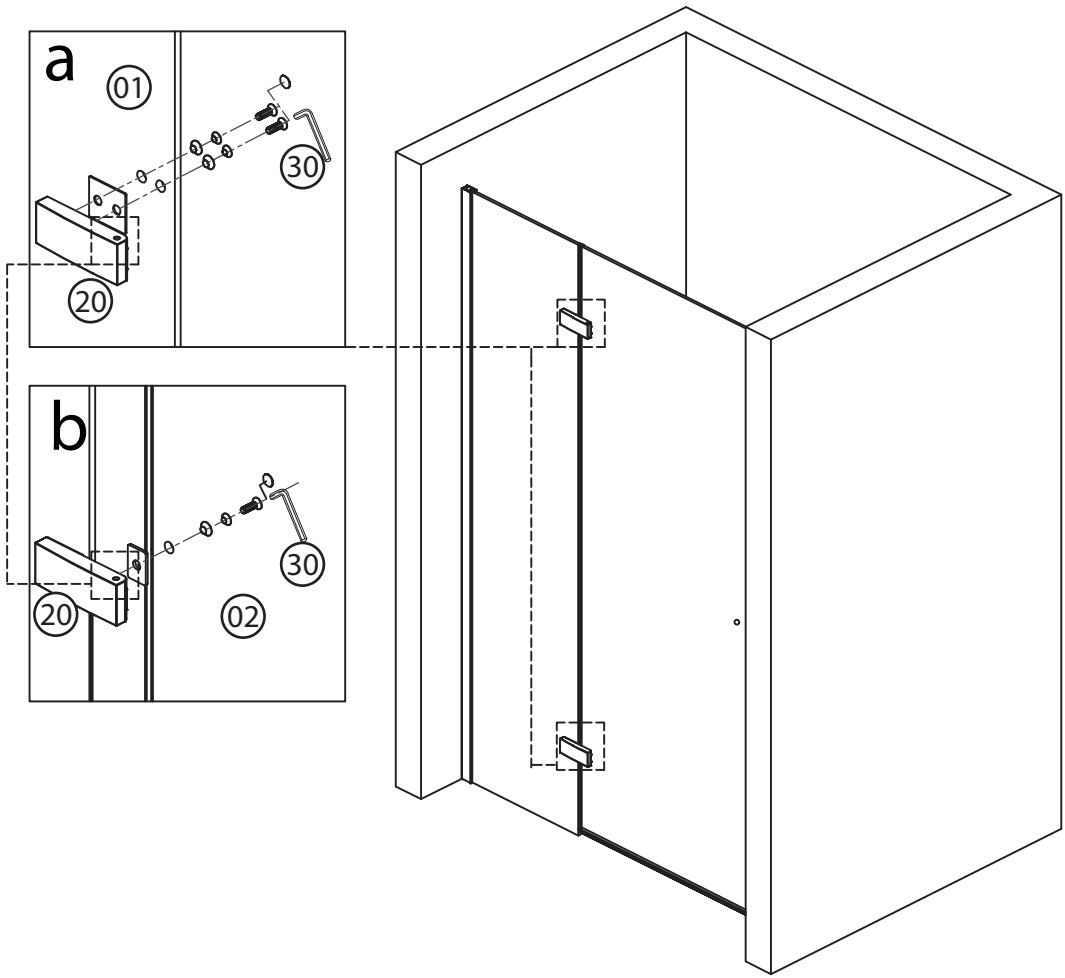
Serial number	Graphical	Name	Quantity	ID
17			1PCS	ND01-3862
18			1PCS	
19			1PCS	
20		L/R	2PCS	
21			1PCS	
22		L/R	2PCS	
23		L/R	2PCS	
24		ST3. 9X40	4PCS	
25		φ6	10PCS	
26		3,9x38	6PCS	
27		3,5x9,5	3PCS	
28			3PCS	
29		2.5mm	1PCS	
30		4mm	1PCS	

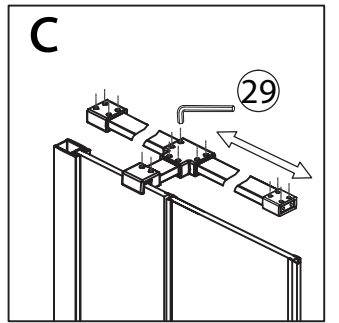
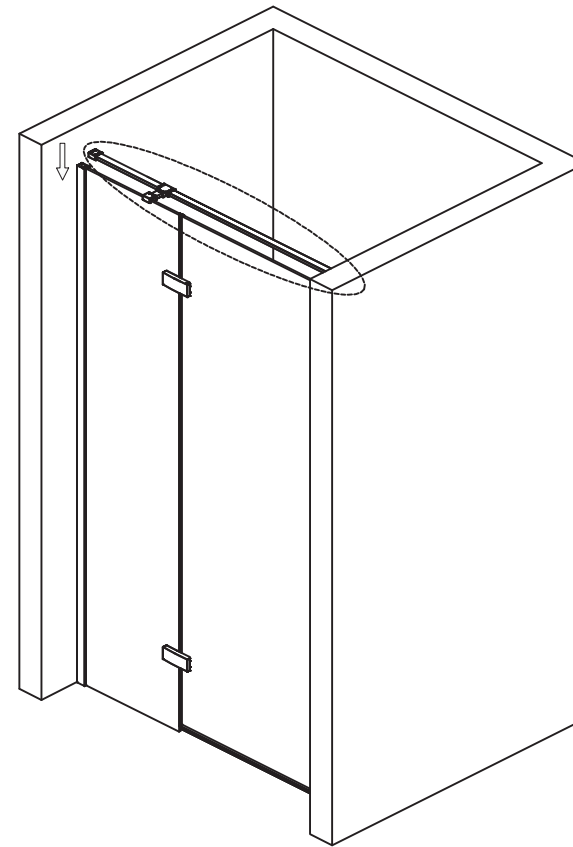
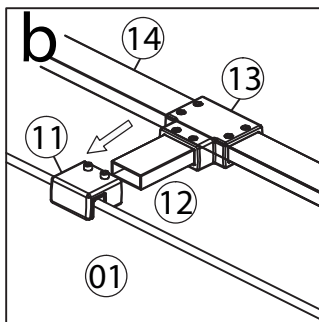
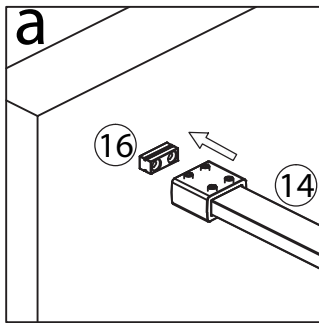
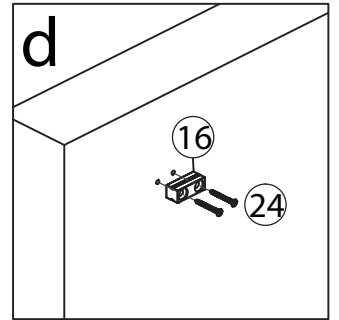
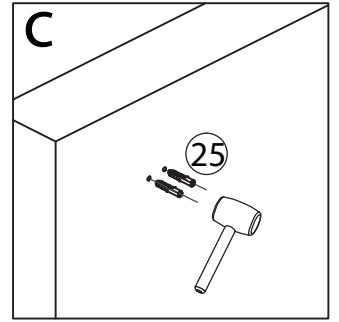
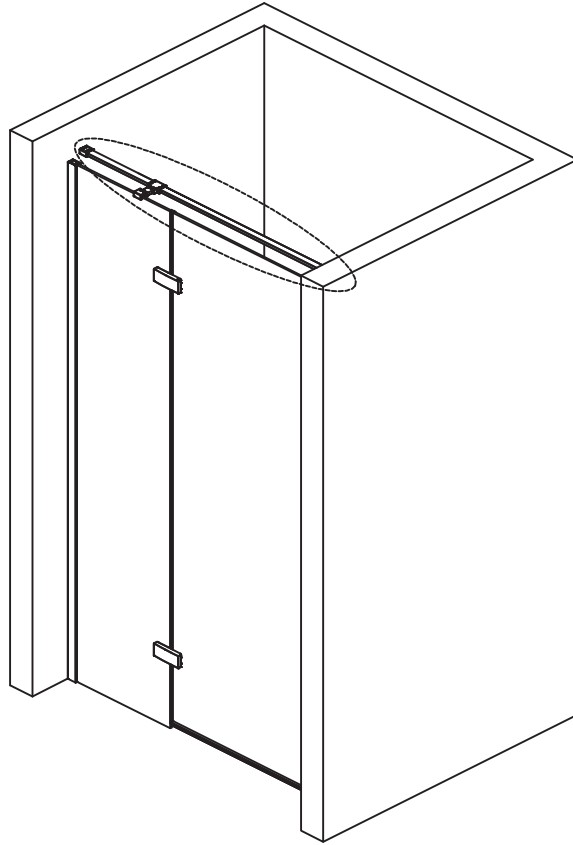
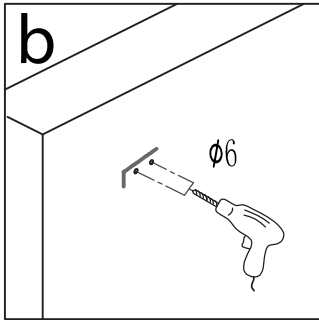
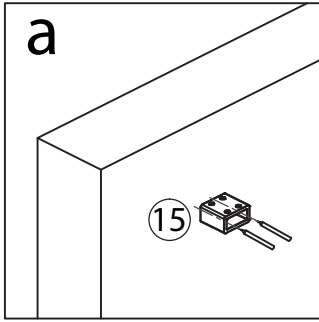


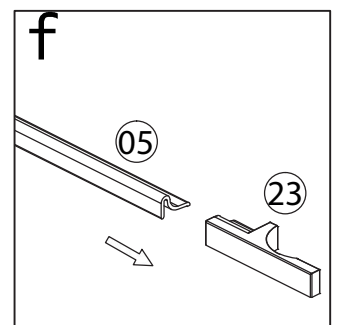
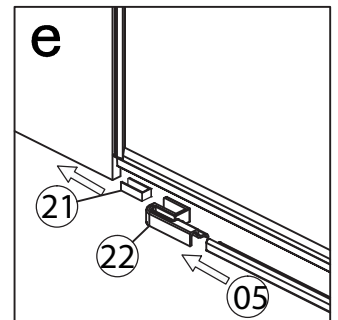
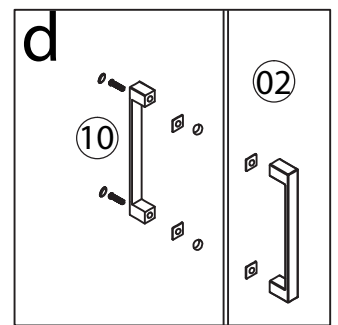
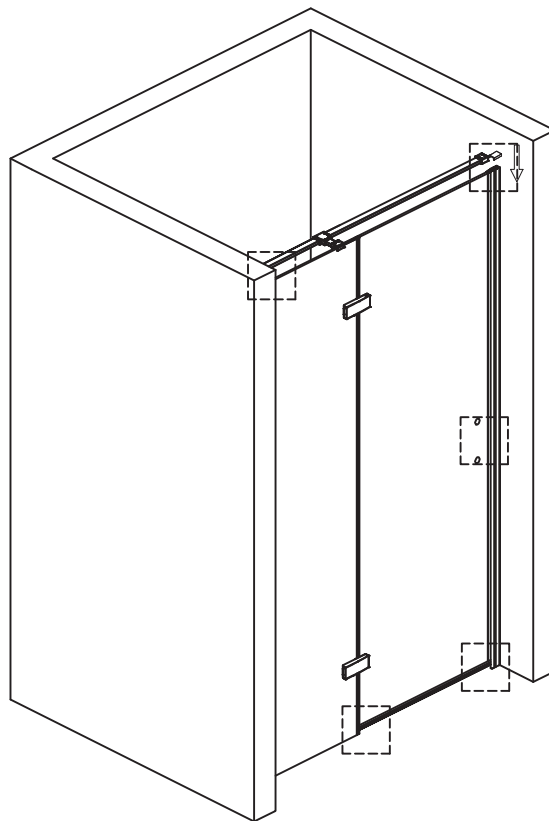
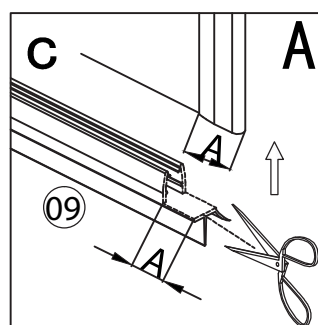
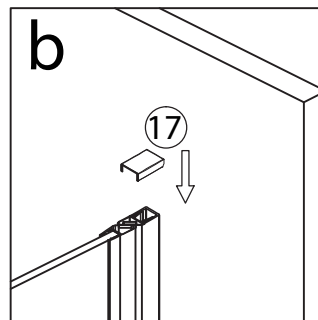
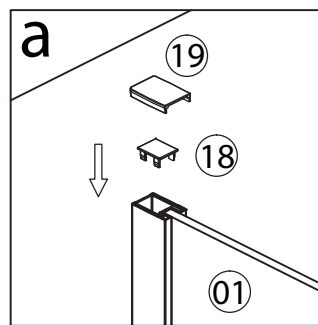
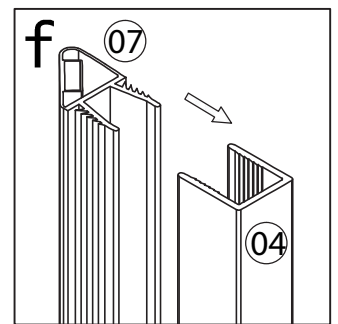
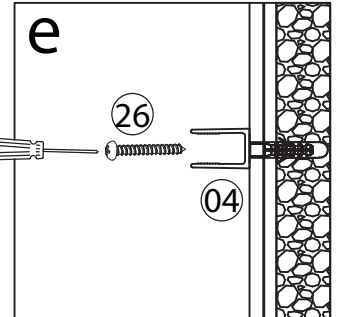
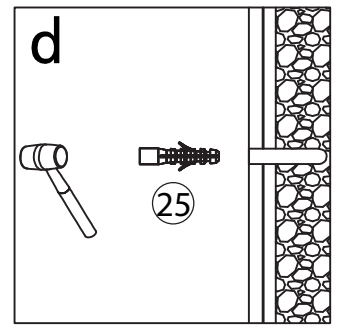
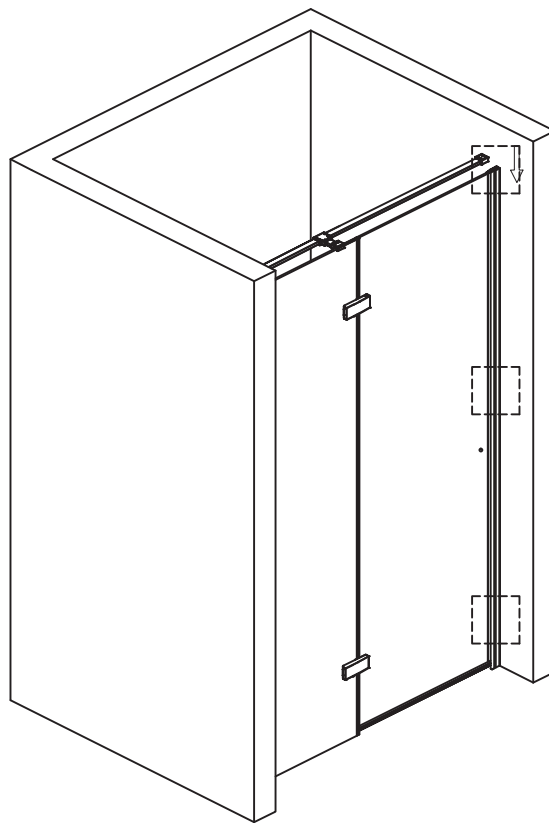
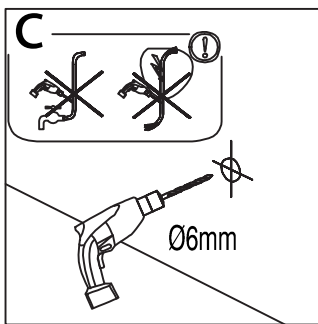
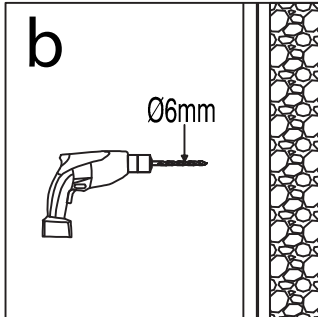
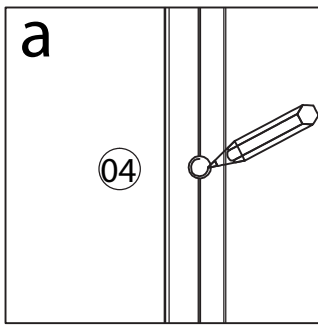
TYP	X
800x2000	785-805
900x2000	885-905
1200x2000	1185-1205

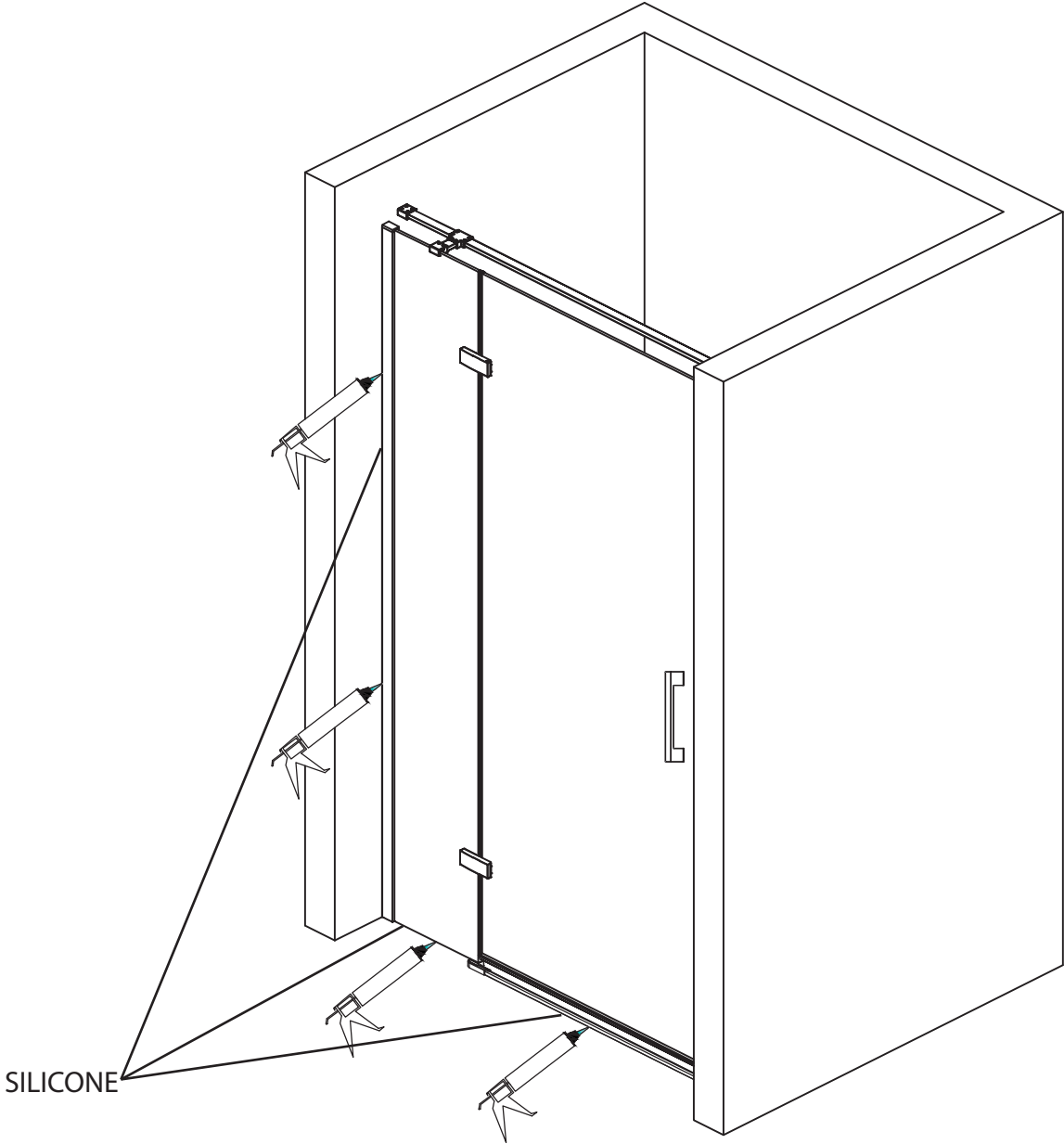
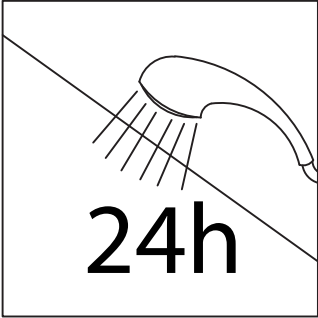




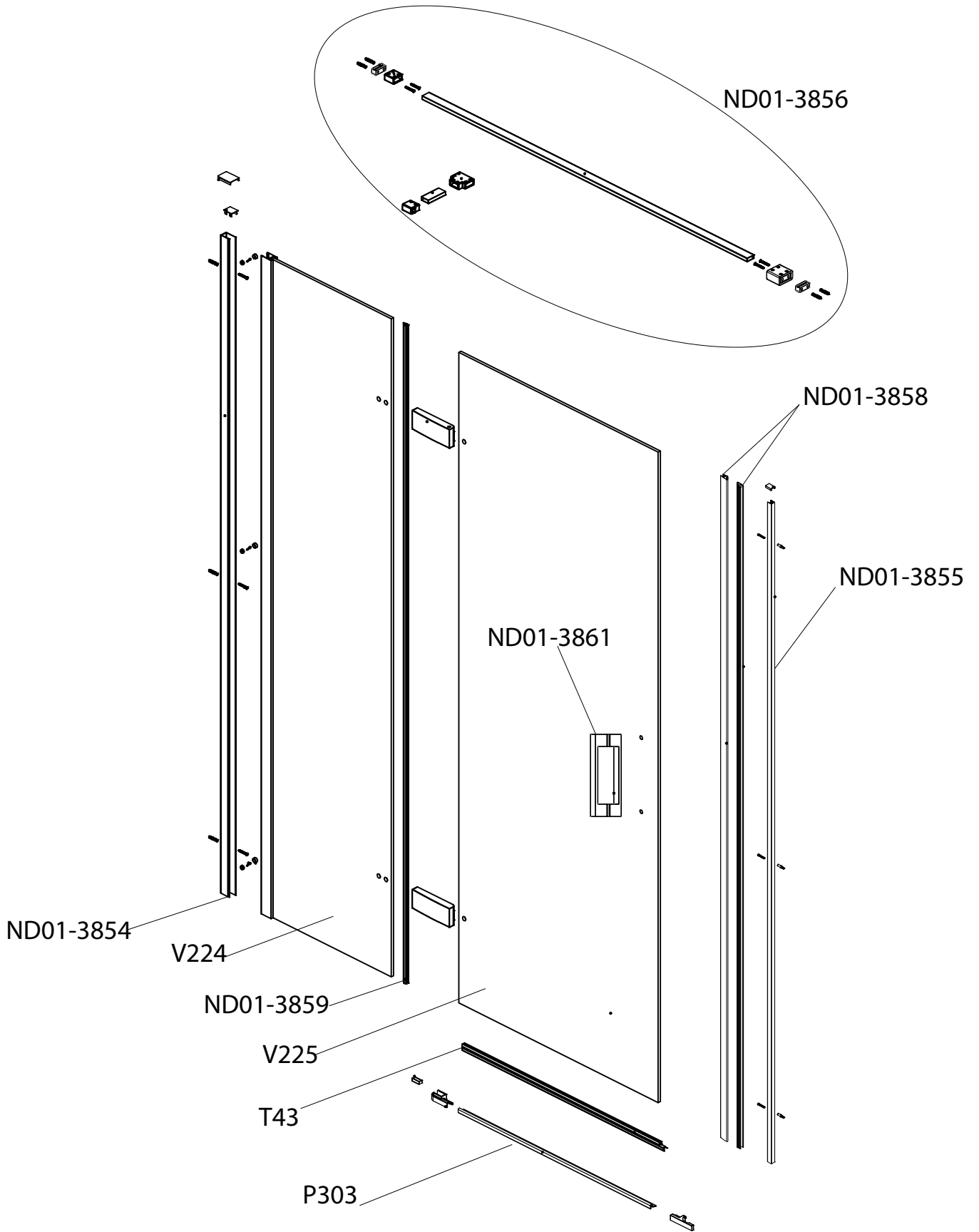








SILICONE



V224	800 - LEFT	Brillant + Transparent	ND03-0829-00-02
	800 - RIGHT		ND03-0830-00-02
	900 - LEFT		ND03-0831-00-02
	900 - RIGHT		ND03-0832-00-02
	1200 - LEFT		ND03-0833-00-02
	1200 - RIGHT		ND03-0834-00-02

V225	800 - LEFT	Transparent	ND02-0868-00-02
	800 - RIGHT		ND02-0868-00-02
	900 - LEFT		ND02-0869-00-02
	900 - RIGHT		ND02-0869-00-02
	1200 - LEFT		ND02-0870-00-02
	1200 - RIGHT		ND02-0870-00-02

P303	800	brillant	ND01-3886
	900		ND01-3887
	1200		ND01-3857

T43	800		ND01-3884
	900		ND01-3885
	1200		ND01-3860