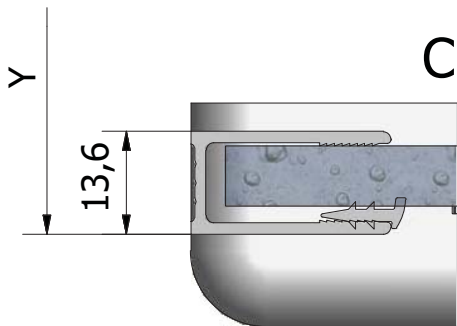
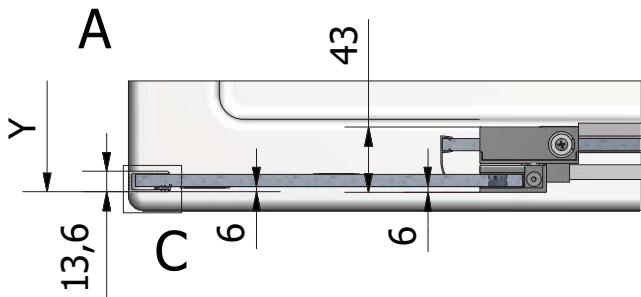
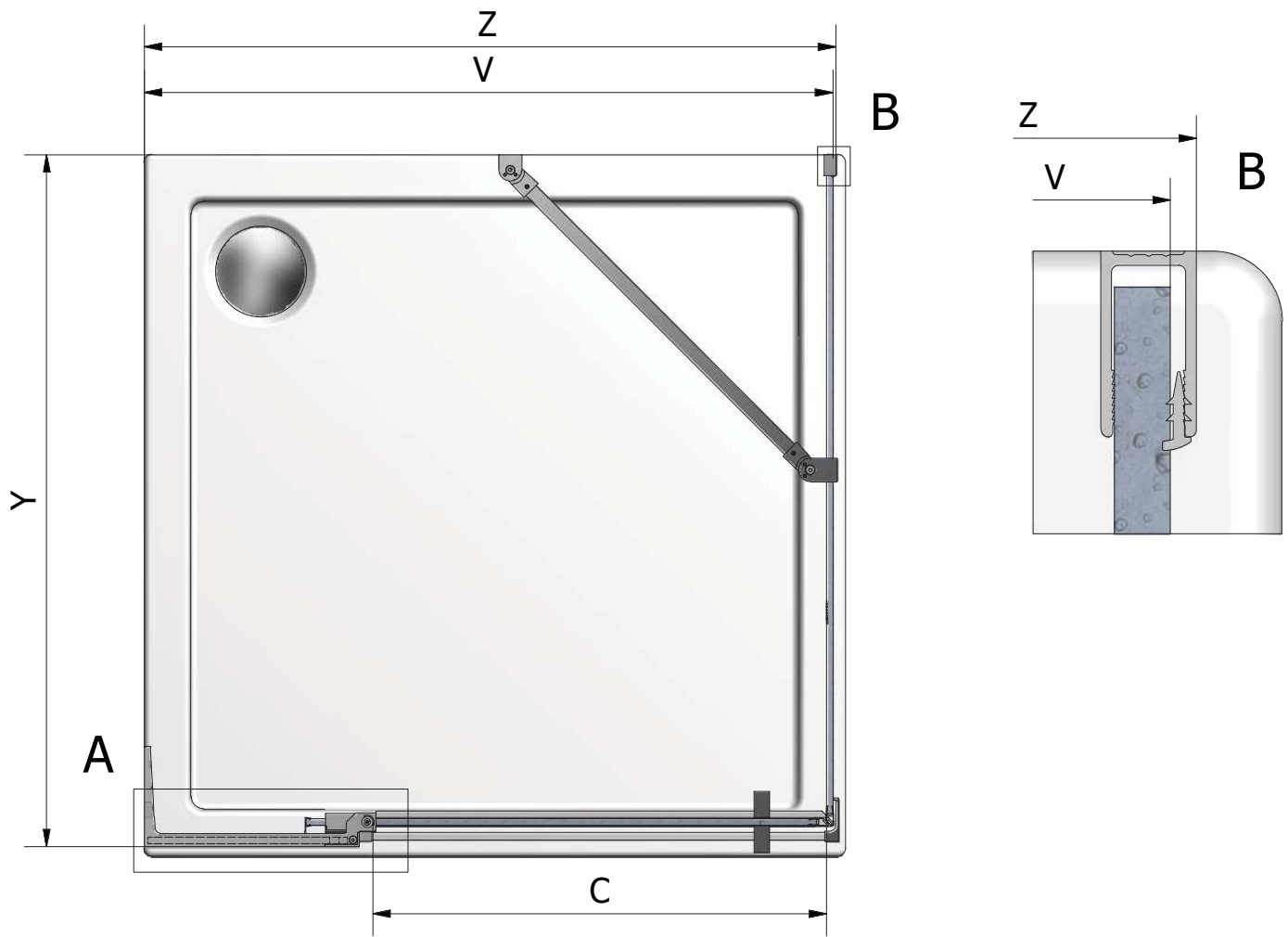


GDO1N+GBN



GBN	
Size [mm]	Installation size Y [mm]
800	775-785
900	875-885
1000	975-985

GDO1N+GBN			
Size [mm]	Installation size V [mm]	Z	Entrance size C
700-800	685-785	691-791	380-480
800-900	785-885	791-891	480-580
900-1000	885-985	891-991	580-680
1000-1100	985-1085	991-1091	680-780
1100-1200	1085-1185	1091-1191	780-880