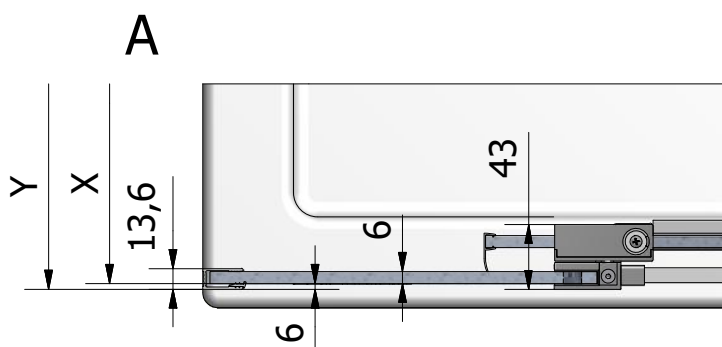
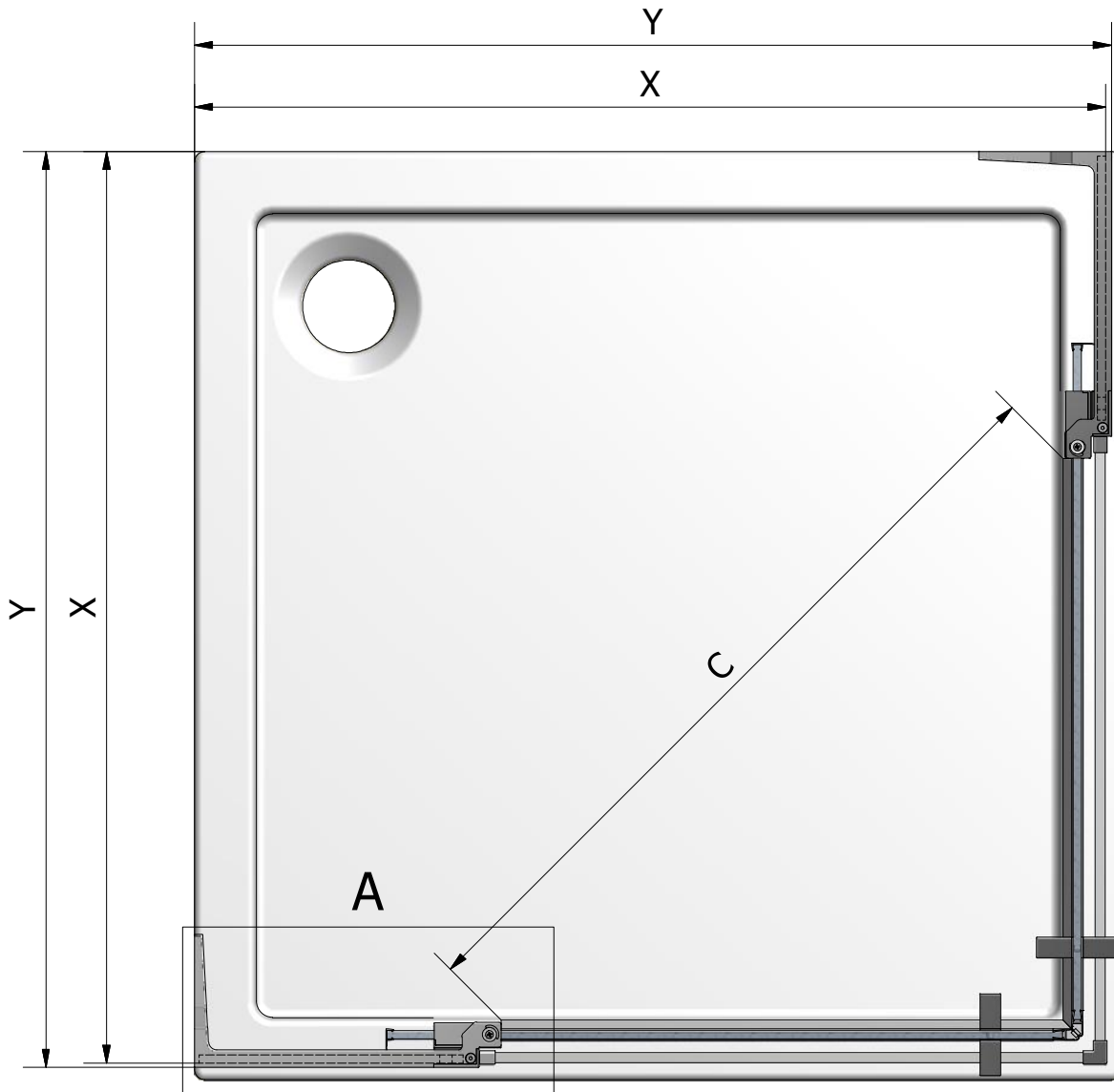


GDO1N+GDO1N



GDO1N + GDO1N			
Size [mm]	X	Installation size Y [mm]	Entrance size C [mm]
700-800	679-779	685-785	510-650
800-900	779-879	785-885	650-790
900-1000	879-979	885-985	790-930
1000-1100	979-1079	985-1085	930-1070
1100-1200	1079-1179	1085-1185	1070-1210