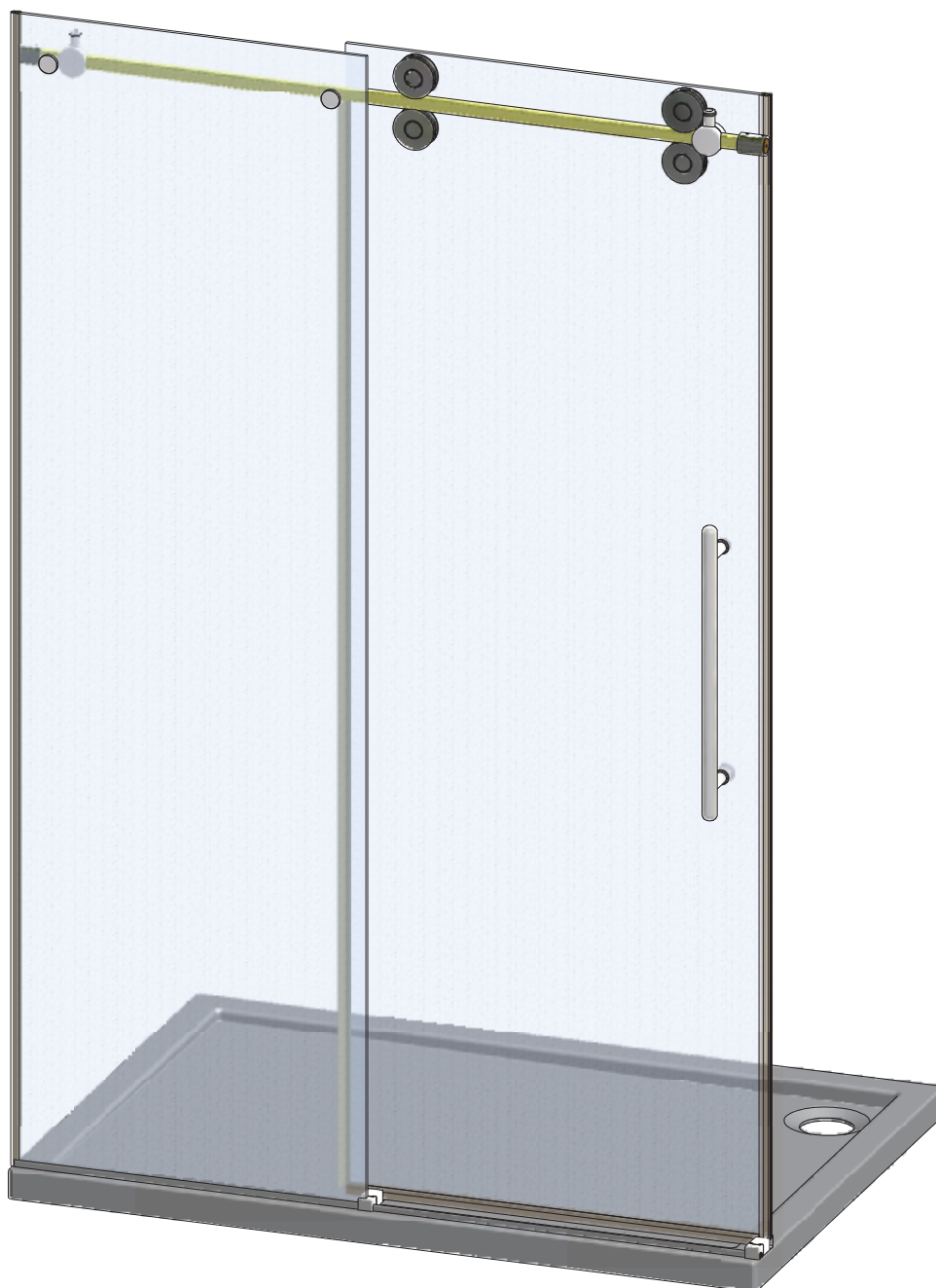
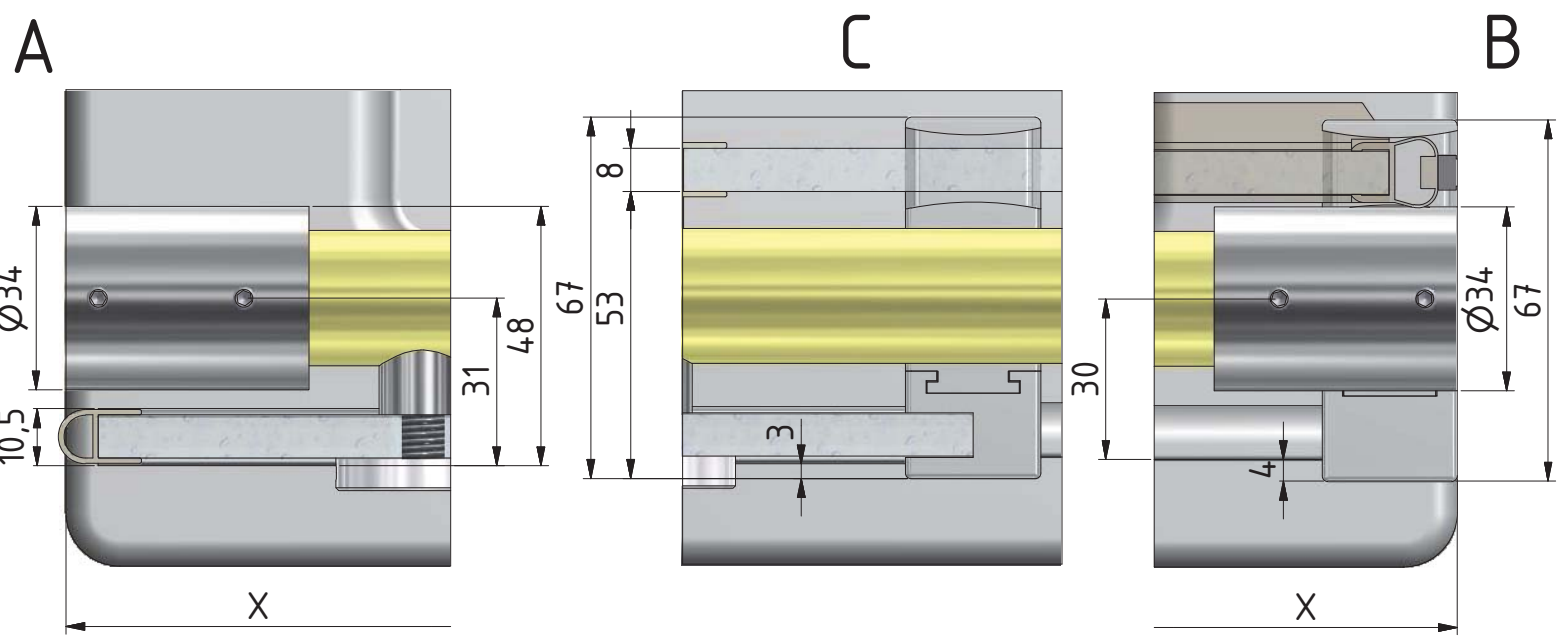
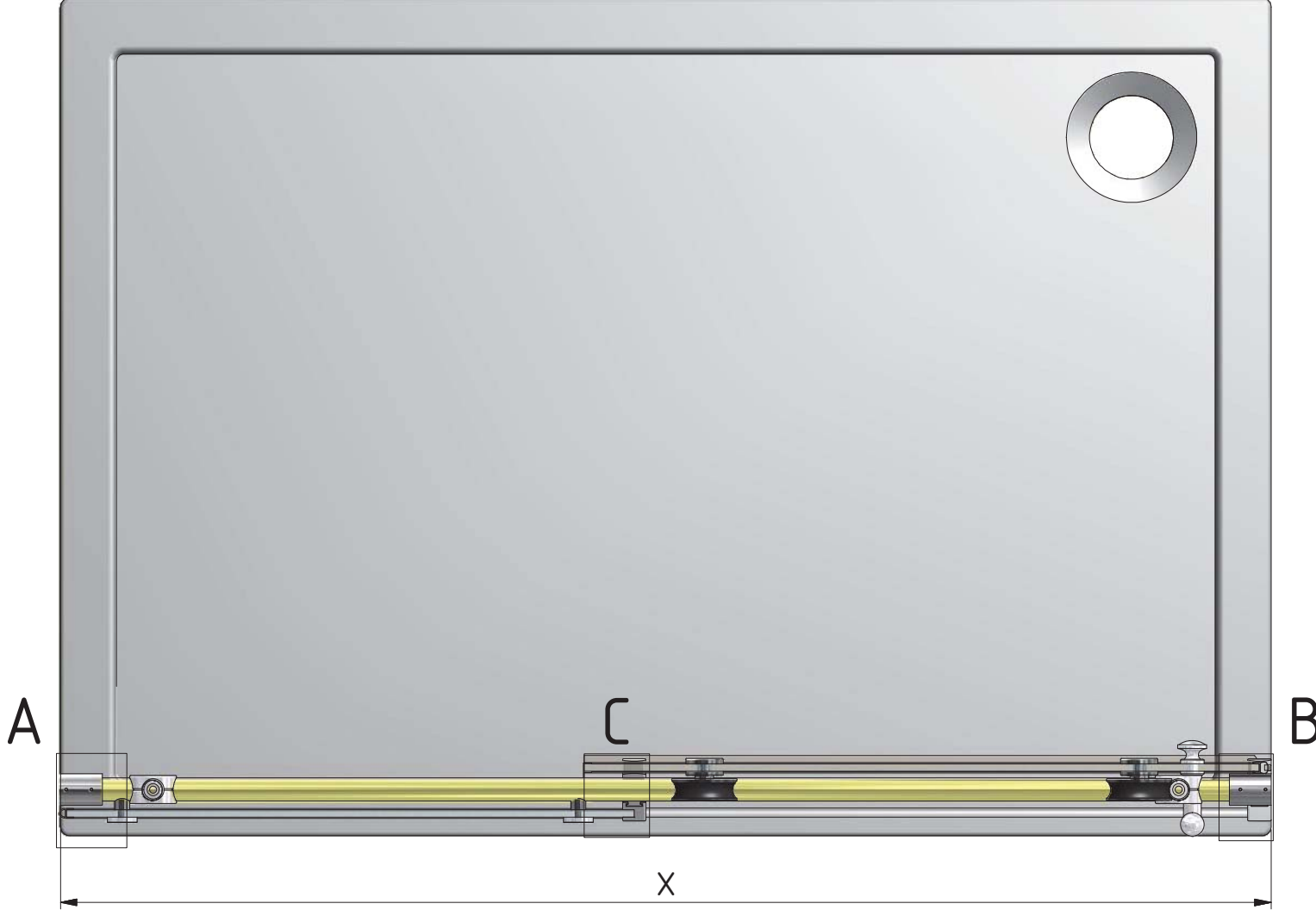


# KID2



Roth Czech s.r.o. • Czech Republic • 569 33 • Třebařov 160  
tel.: +420 461 324 301/302, fax: +420 461 324 297  
<http://www.roth-czech.cz>; e-mail: [objednavky@roth-czech.cz](mailto:objednavky@roth-czech.cz)

R01  
MA1249

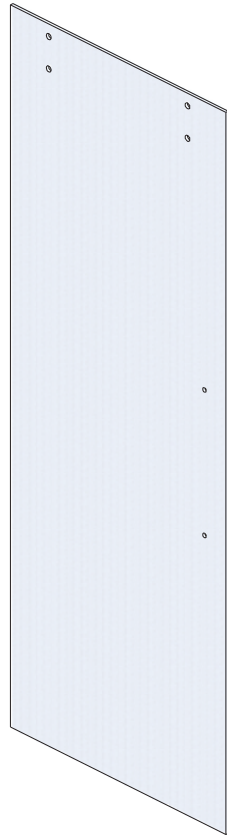


	X
1300	1150-1310
1500	1300-1510
1800	1500-1810
2000	1800-2010

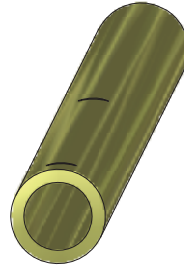
1. 1x  
V48



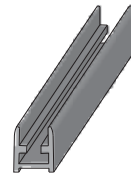
2. 1x  
V47



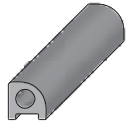
3. 1x  
P73



4. 1x  
P132



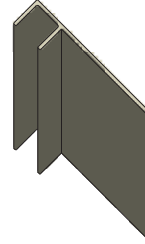
5. 1x  
P131



6. 1x  
M9751



7. 1x  
M9137



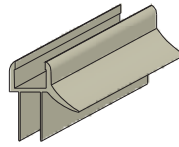
20. 1x  
MA0852



25. 1x  
MA0851



22. 1x  
P129



10. 4x  
M0511



8. 2x  
M0811



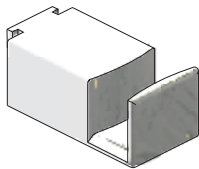
18. 2x  
M0787



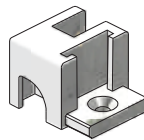
12. 1x  
M9134



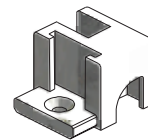
19. 2x  
MA0749



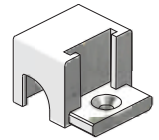
14. 1x  
MA0743



16. 1x  
MA0744



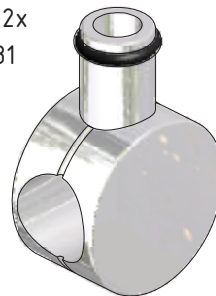
17. 1x  
MA0745



14. 2x  
M9129



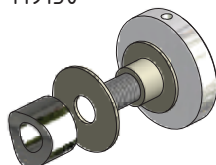
15. 2x  
M9131

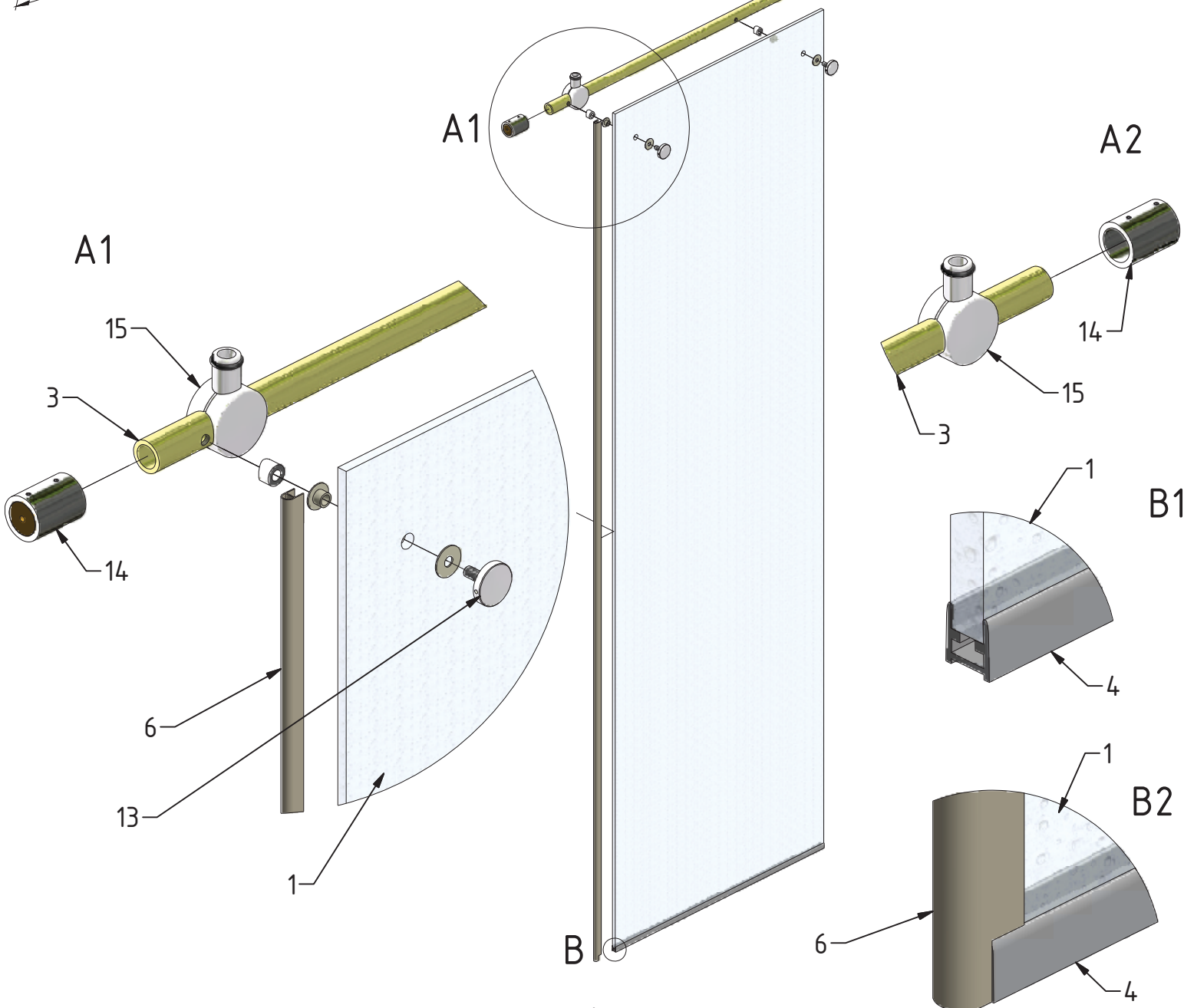
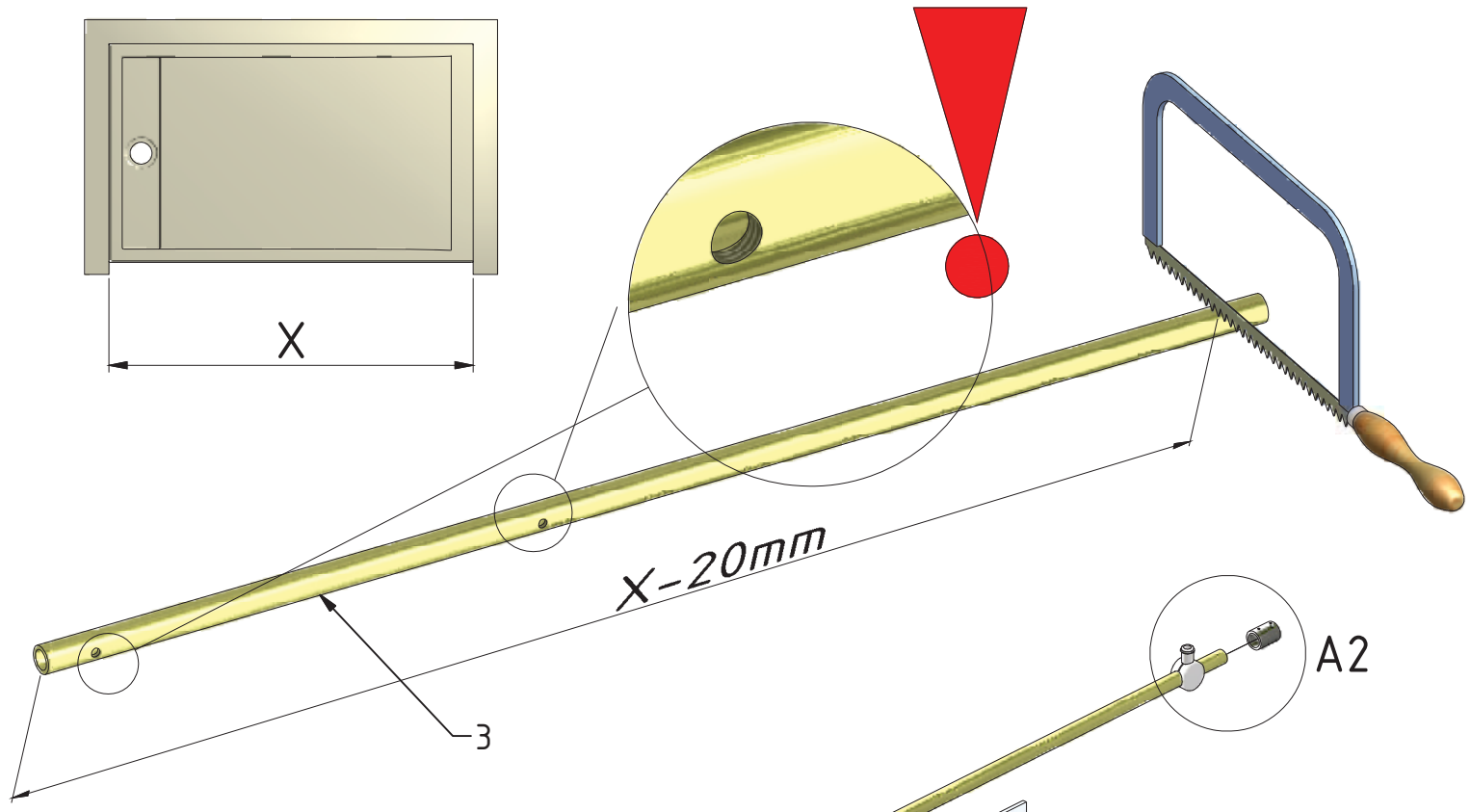


9. 4x  
M9126

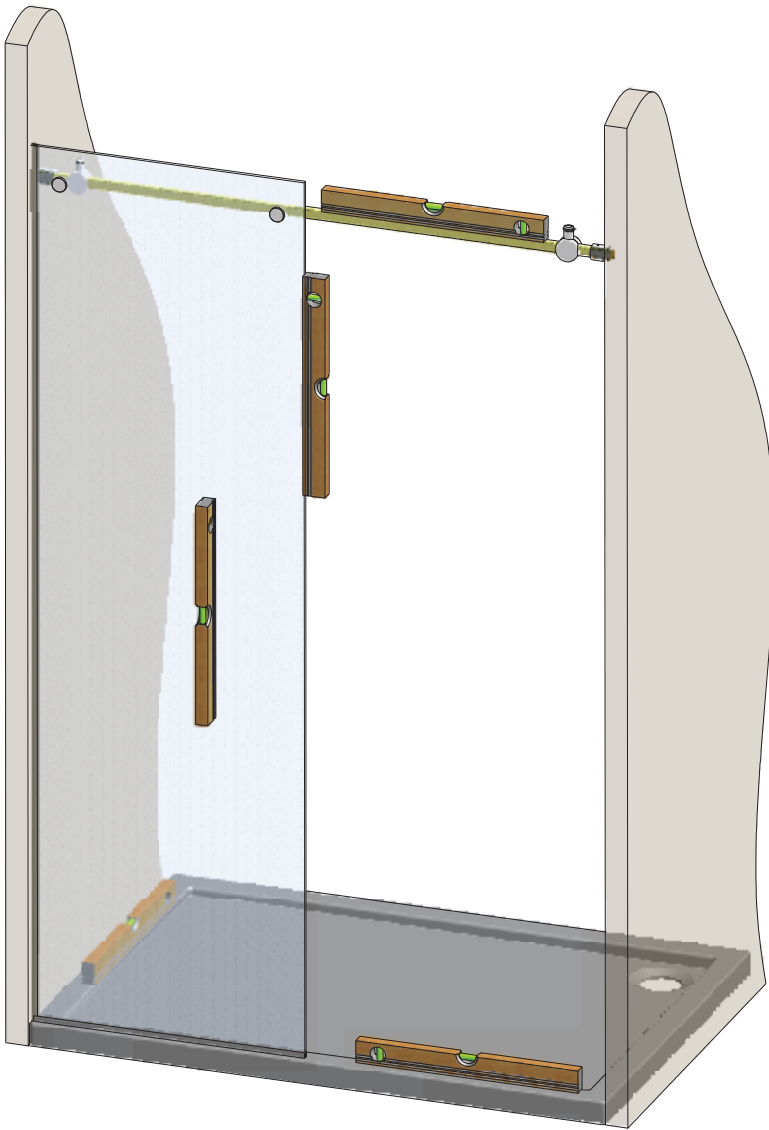
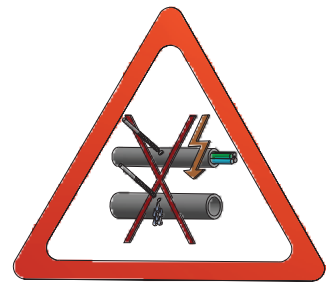


13. 2x  
M9130

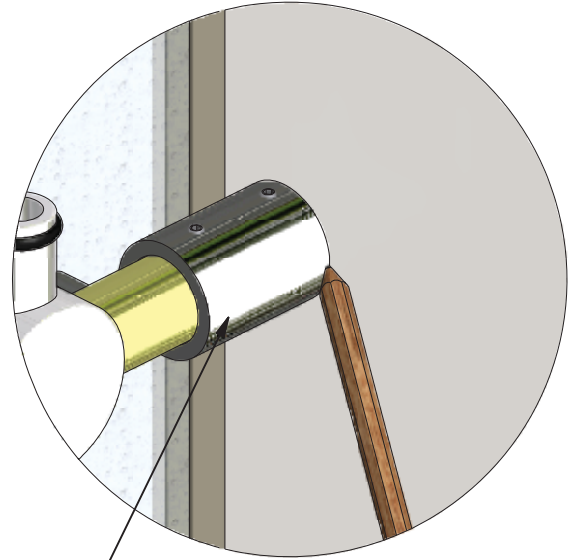






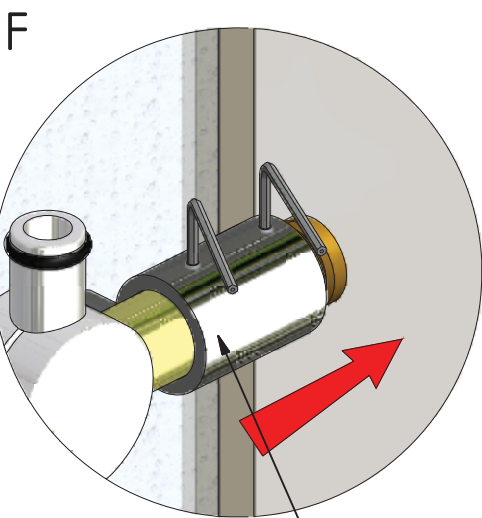
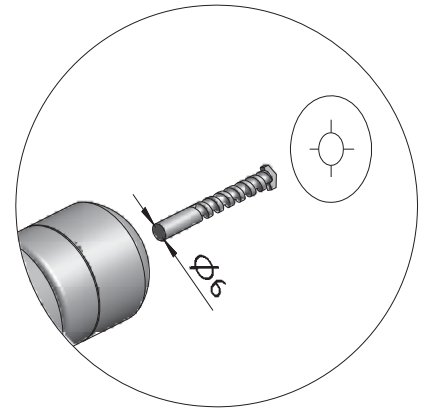


C



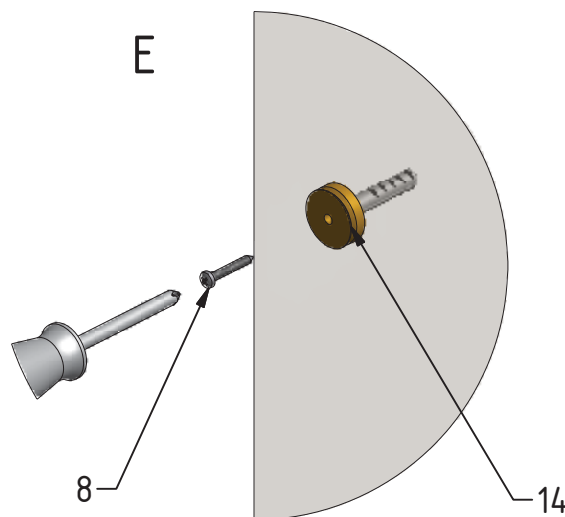
14

D1 2x



F

14

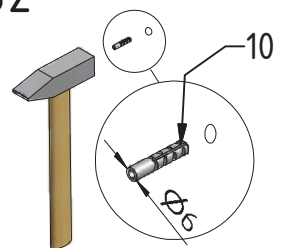


E

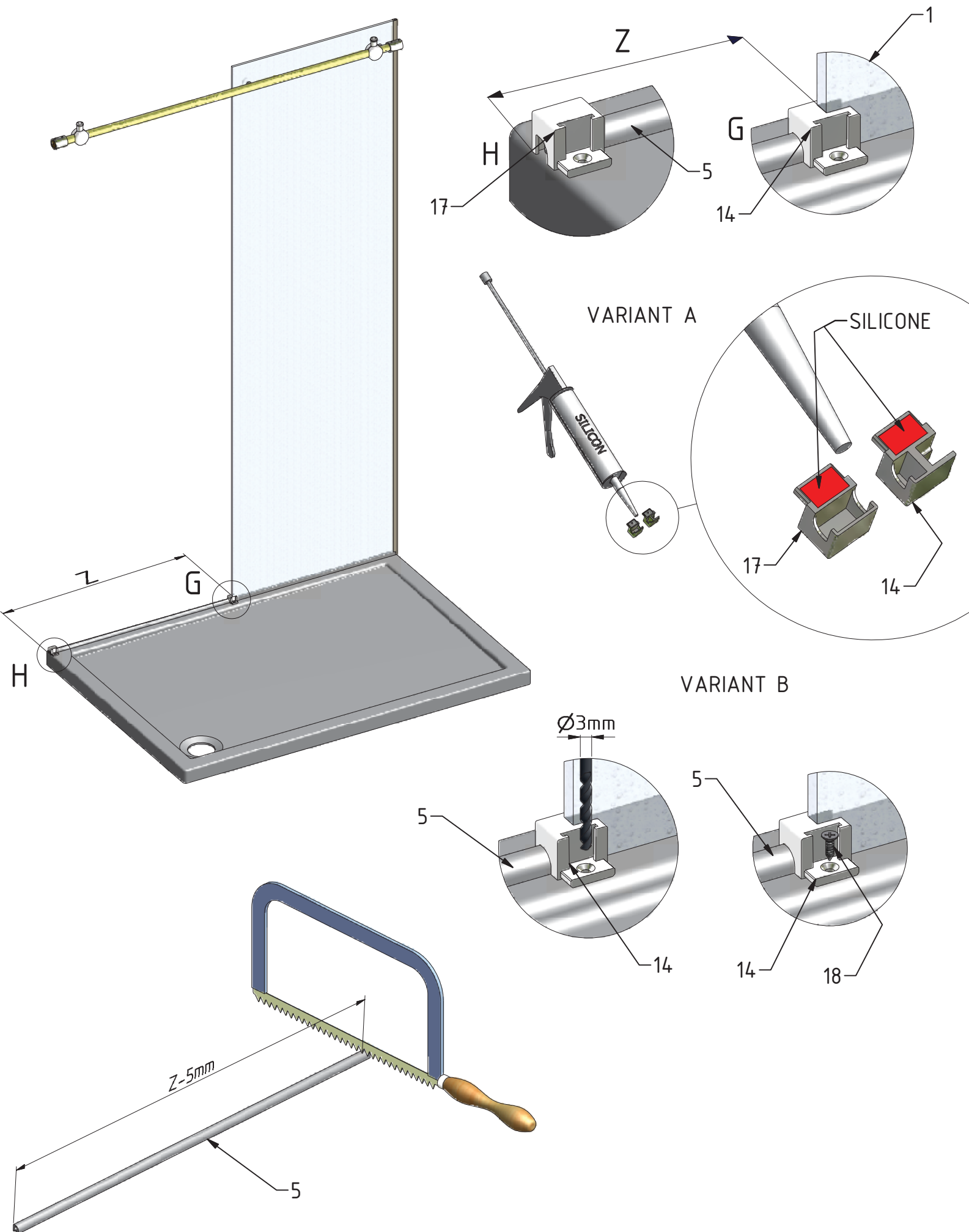
8

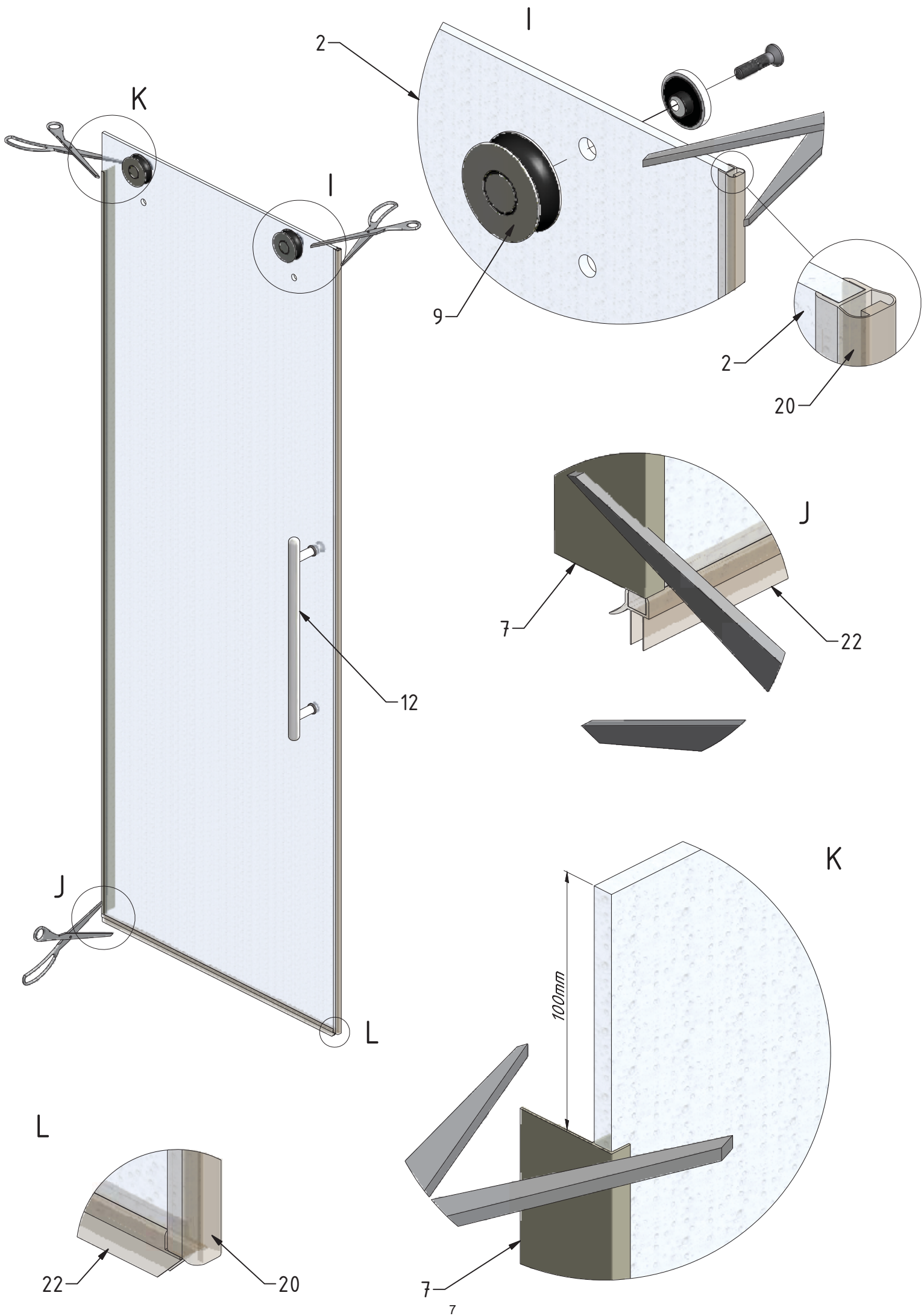
14

D2

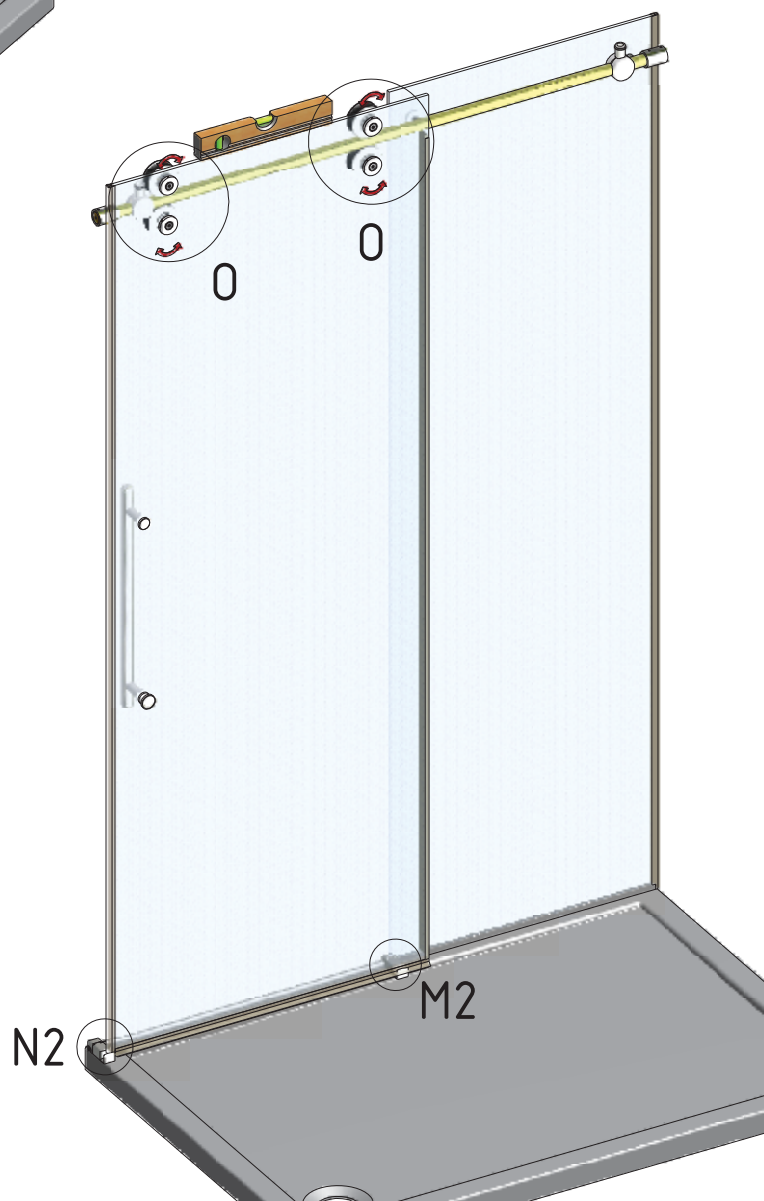
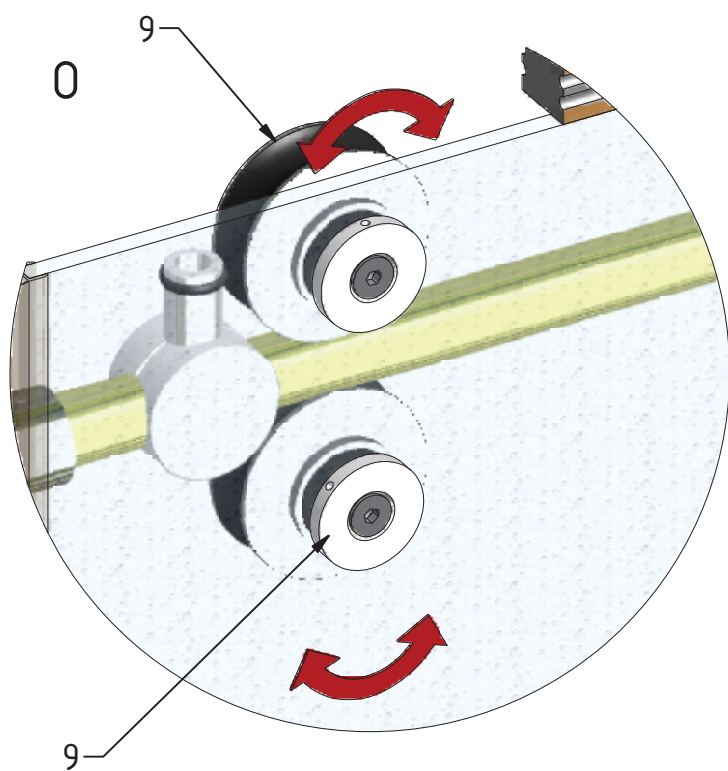
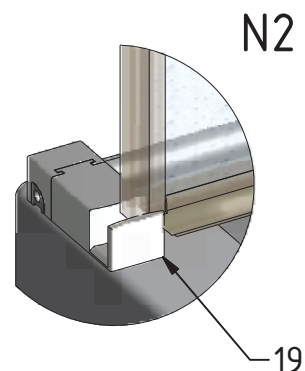
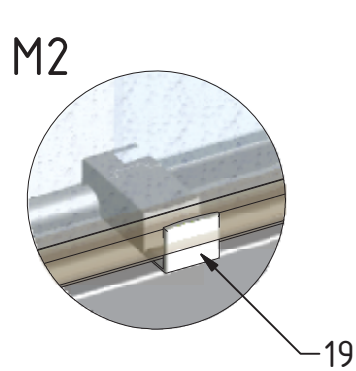
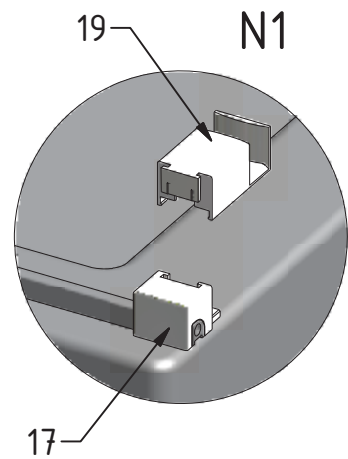
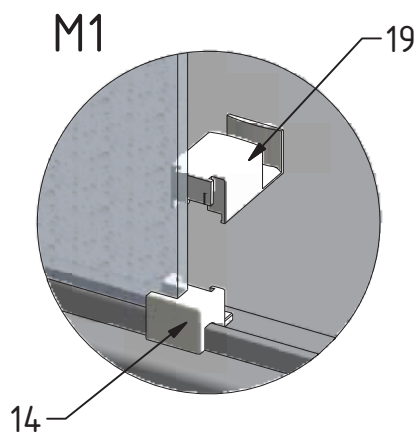
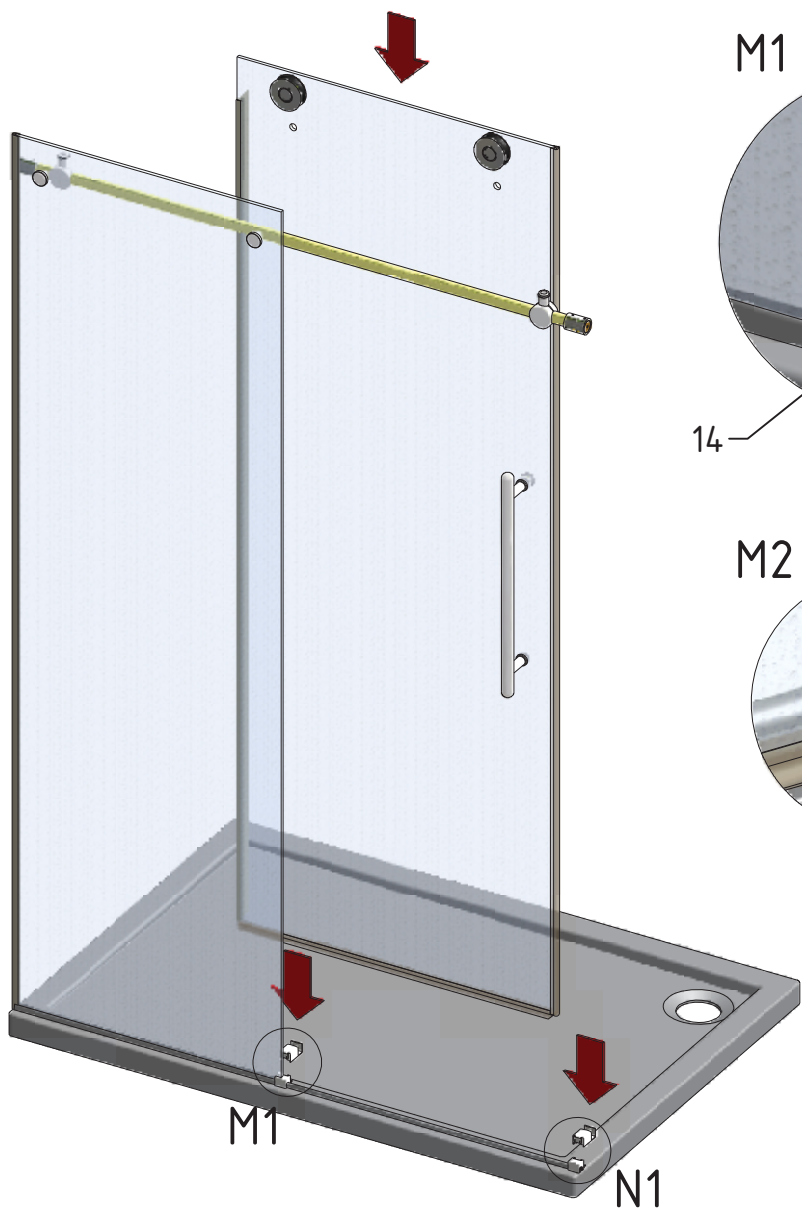


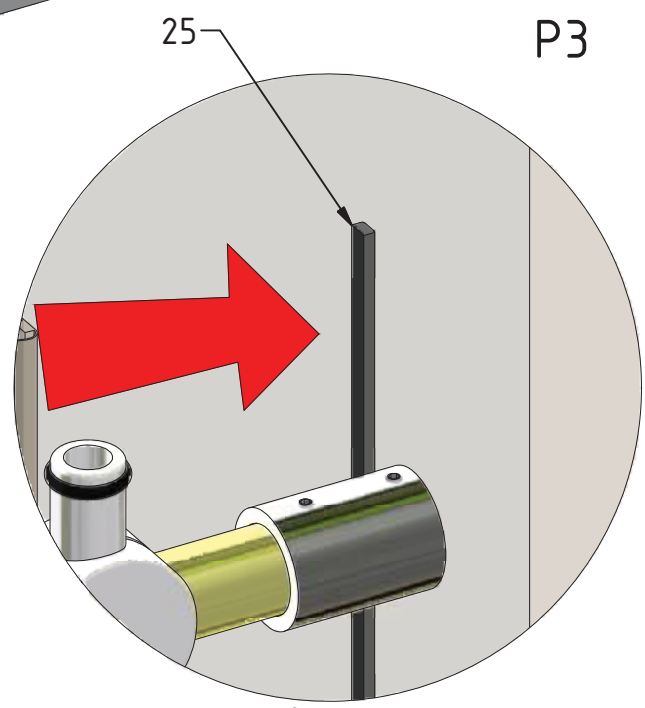
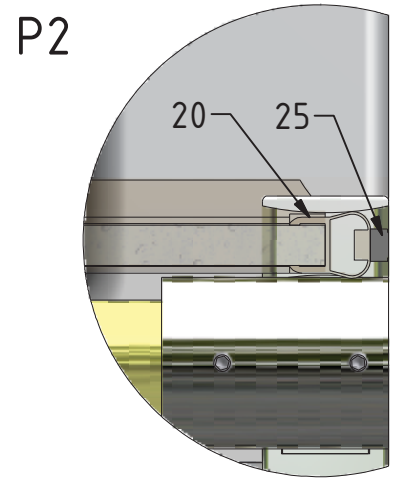
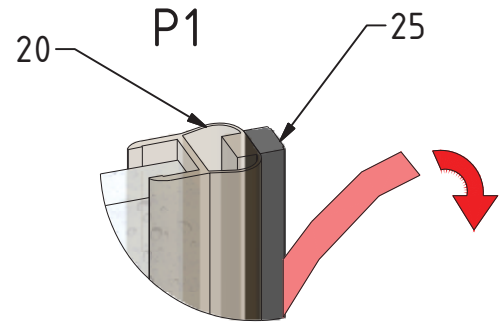
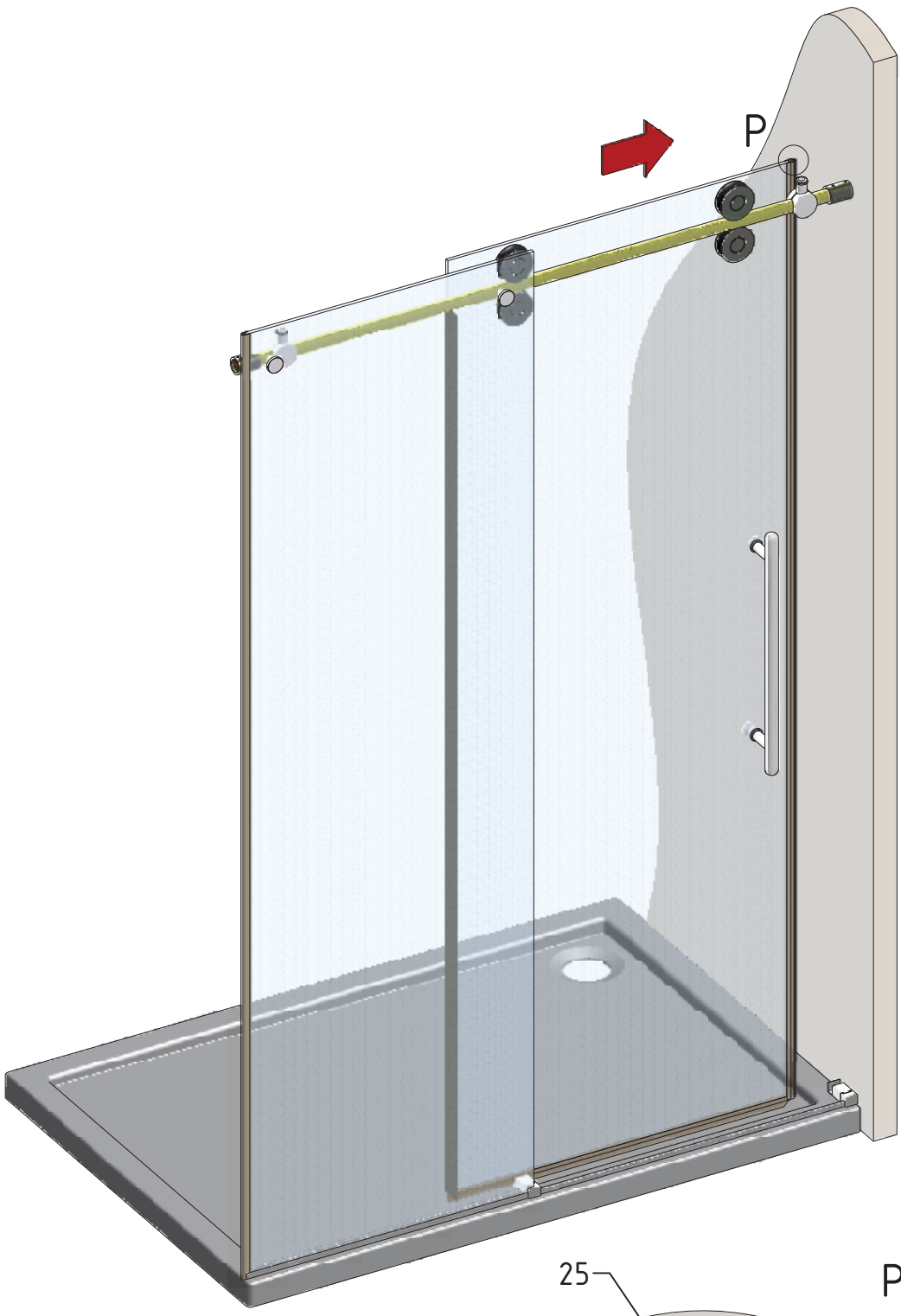
10



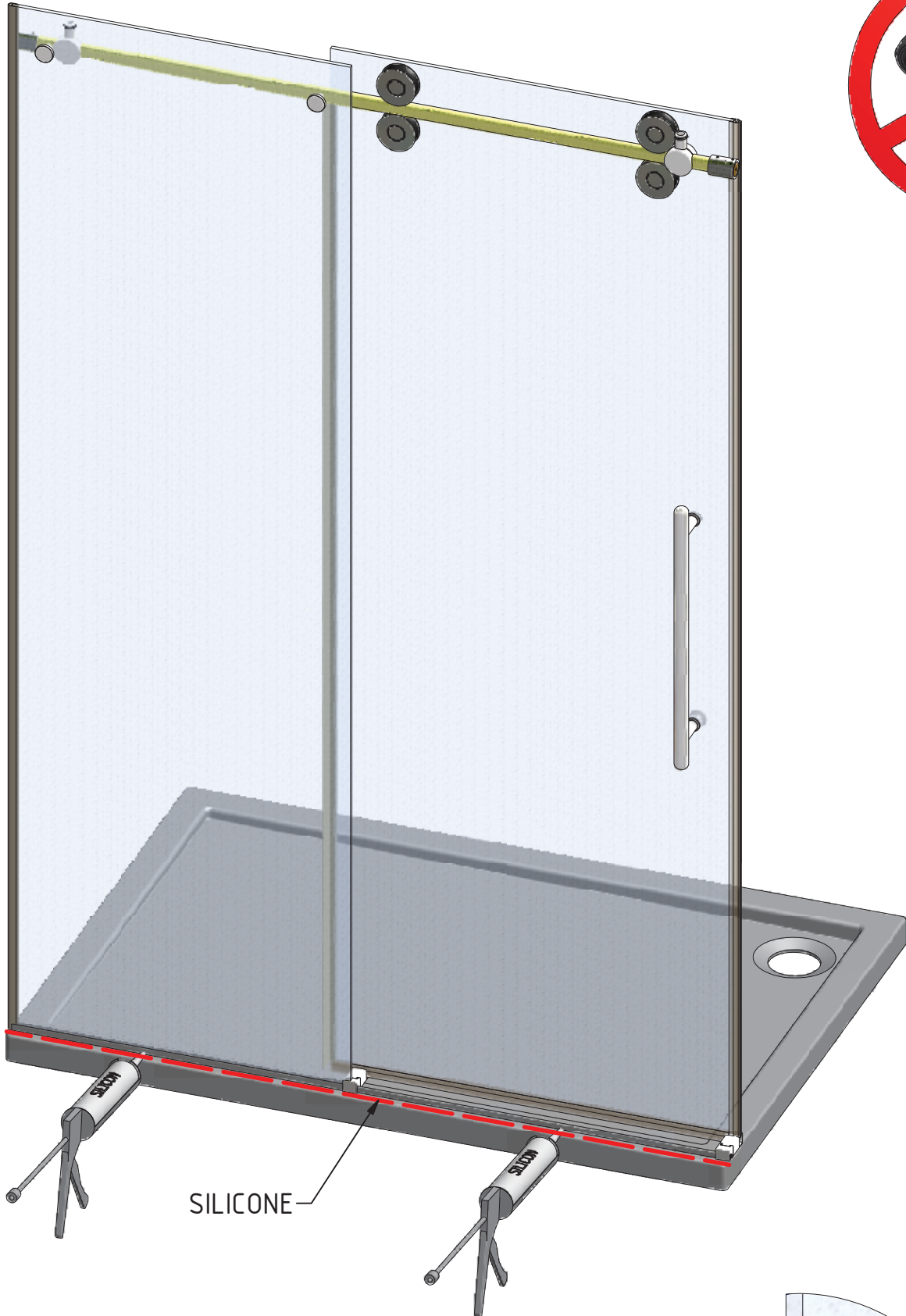




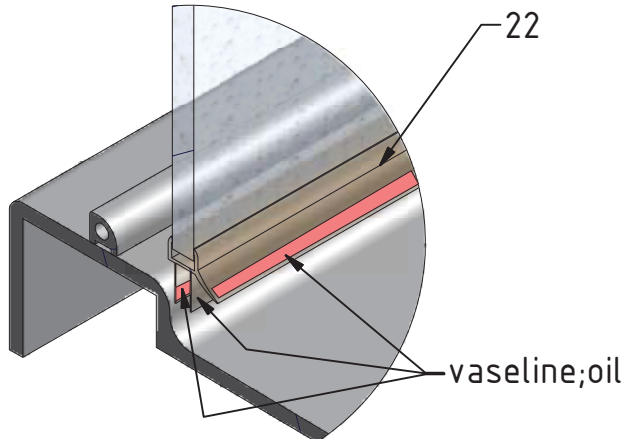




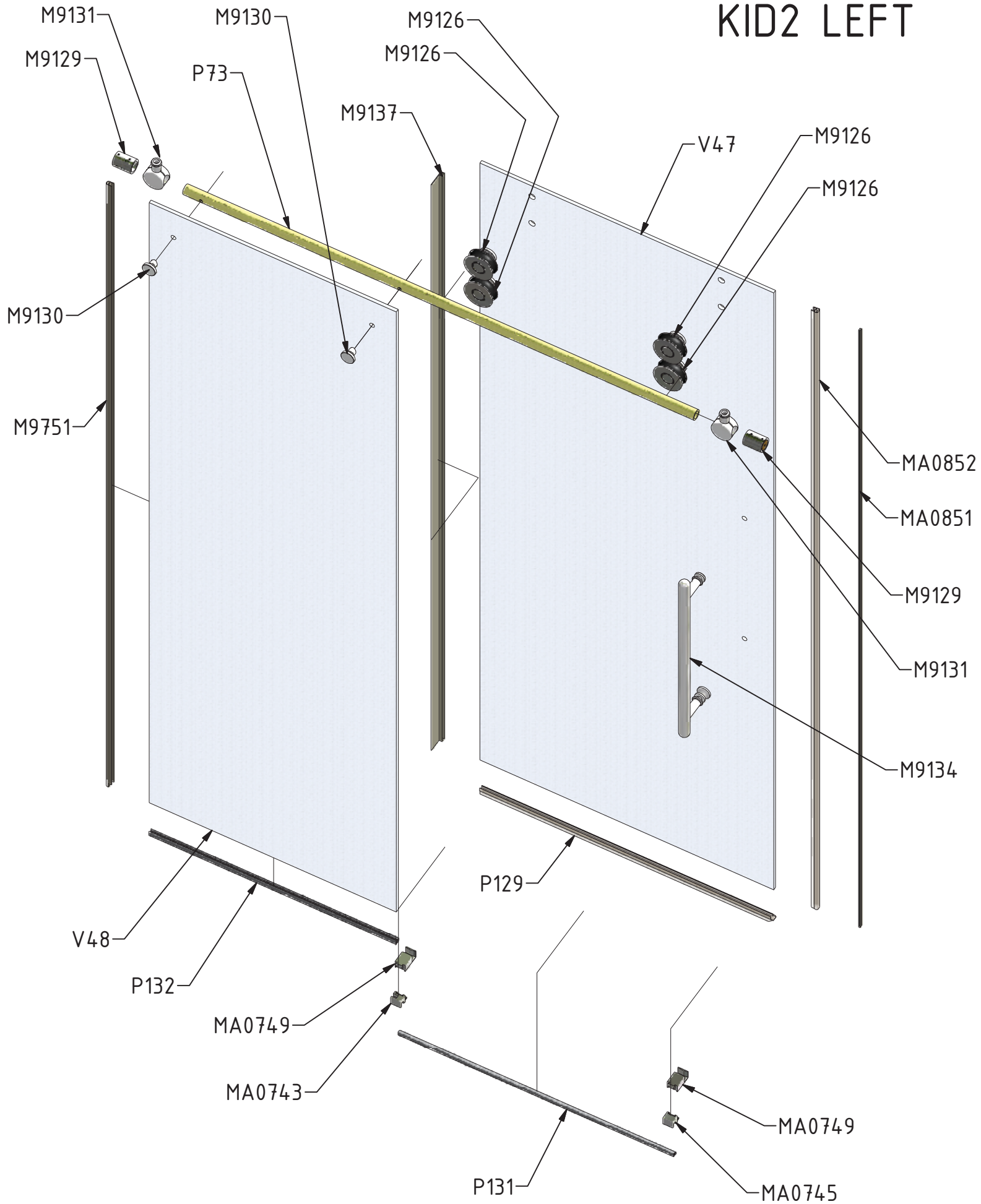




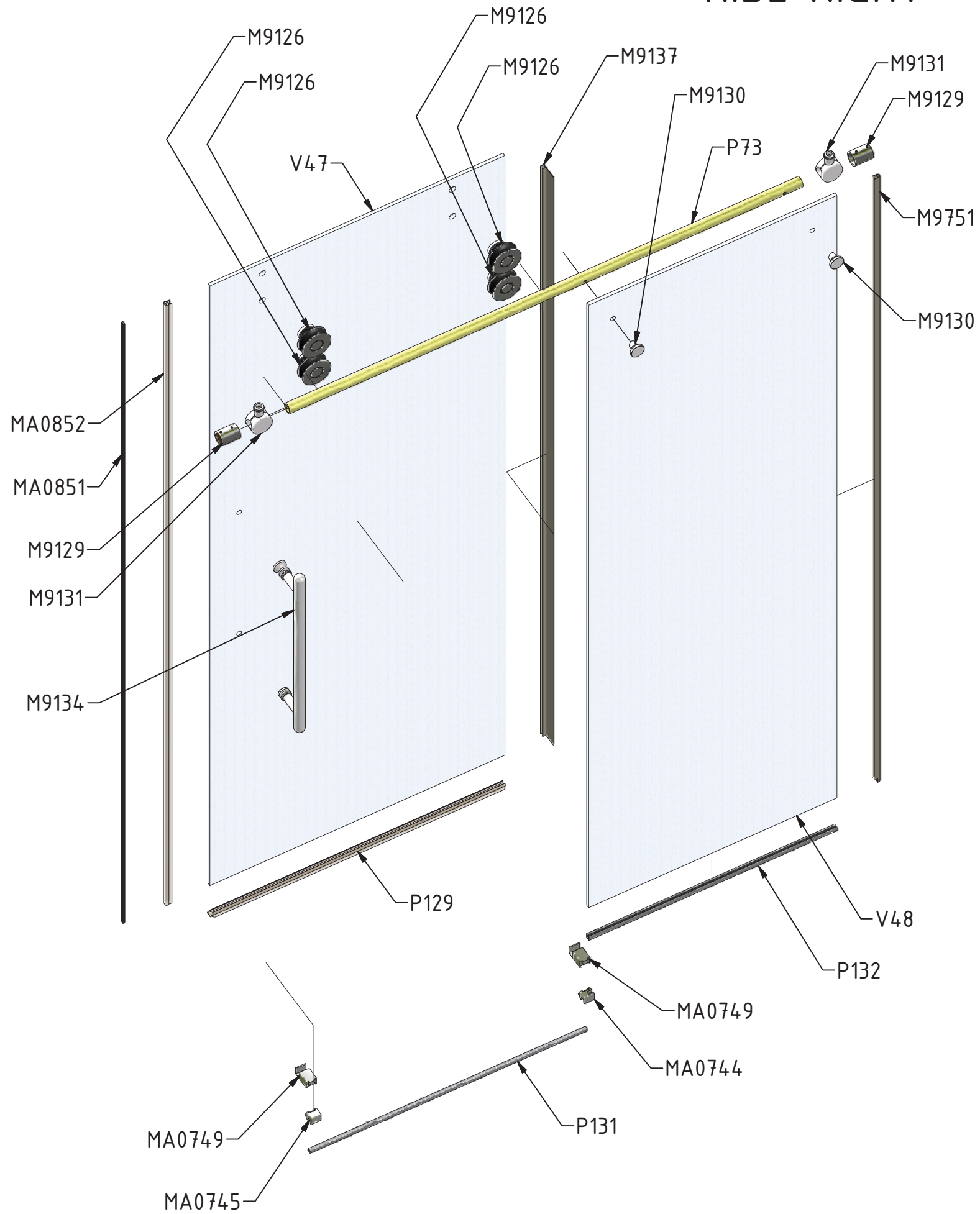
SILICONE



# KID2 LEFT



# KID2 RIGHT



P73	1300		P2845
	1500		P2842
	1800		P2843
	2000		P2844

P129			ND01-2818
------	--	--	-----------

P131	1300		ND01-2974
	1500		ND01-2974
	1800		ND01-2974
	2000		ND01-2975

P132	1300		P2980
	1500		P2981
	1800		P2982
	2000		P2729

V47	1300	clear glass	ND02-0584-00-02
	1500	clear glass	ND02-0544-00-02
1800	clear glass	ND02-0545-00-02	
2000	clear glass	ND02-0546-00-02	
V48	1300	clear glass	ND03-0440-00-02
	1500	clear glass	ND03-0397-00-02
1800	clear glass	ND03-0398-00-02	
2000	clear glass	ND03-0399-00-02	