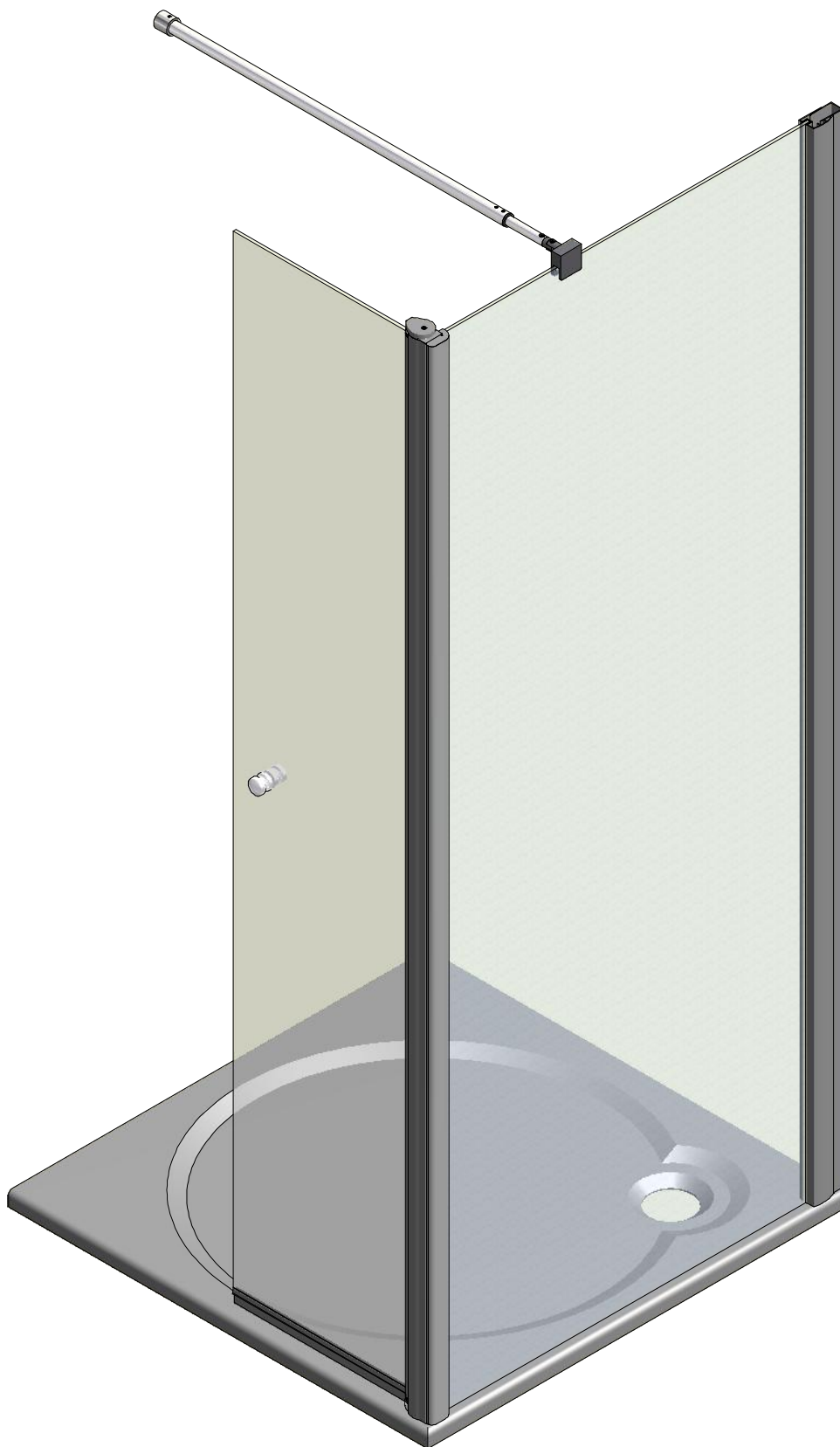
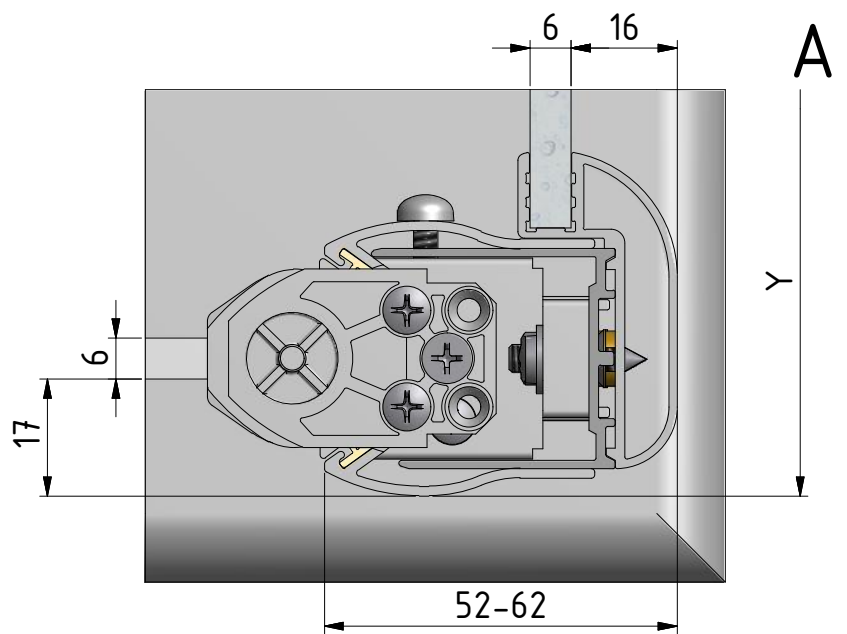
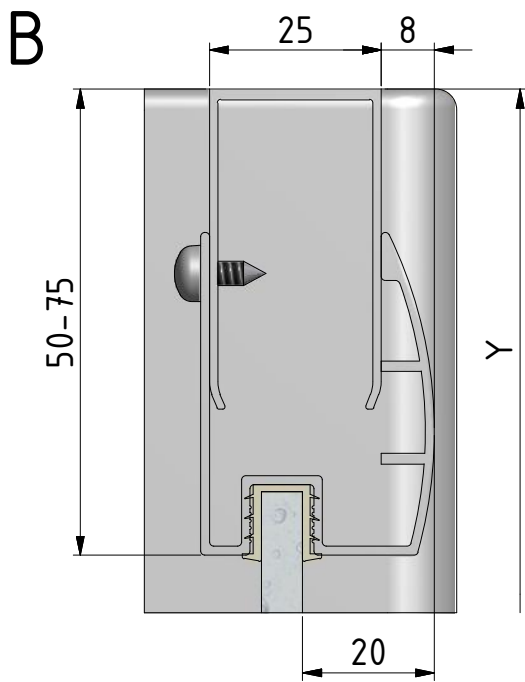
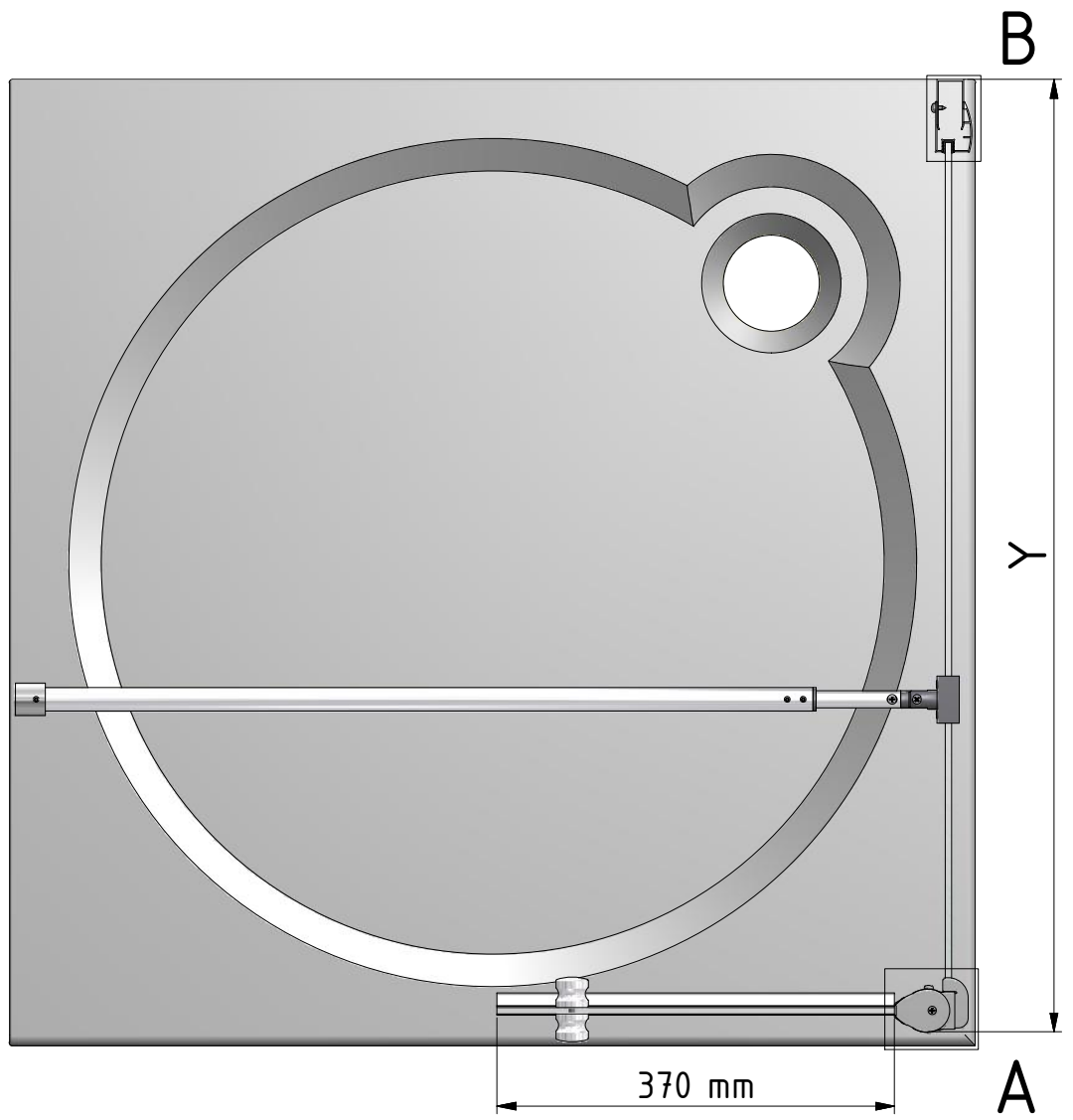


# TCW1





TCW	Y
800	770-795
900	870-895
1000	970-995
1200	1170-1195
1400	1370-1395

1. 1x  
P2873



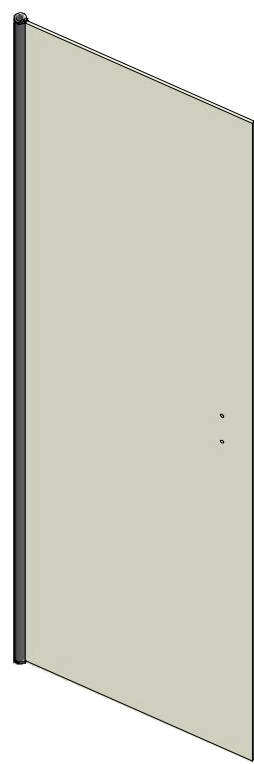
2. 1x



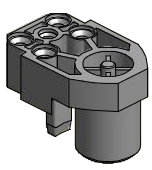
3. 1x



4. 1x  
ND02-0746



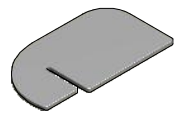
5. 1x  
M0547



6. 3x  
M0768



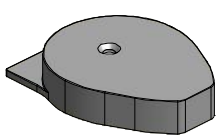
7a. 1x  
MA1548



7b. 1x  
MA1549



8. 1x  
M1904



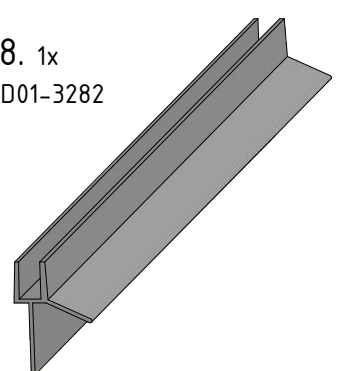
9. 1x  
M0800  
3,5x45



10. 3x  
M0811  
3,9x38



18. 1x  
ND01-3282



11. 1x  
M4649



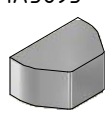
12. 2x  
M0793  
3,5x25



13. 3x  
M0511  
Ø6



15. 1x  
MA3893



16. 6x  
M0806  
Ø3,5x9,5



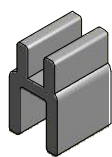
17. 6x  
M1907



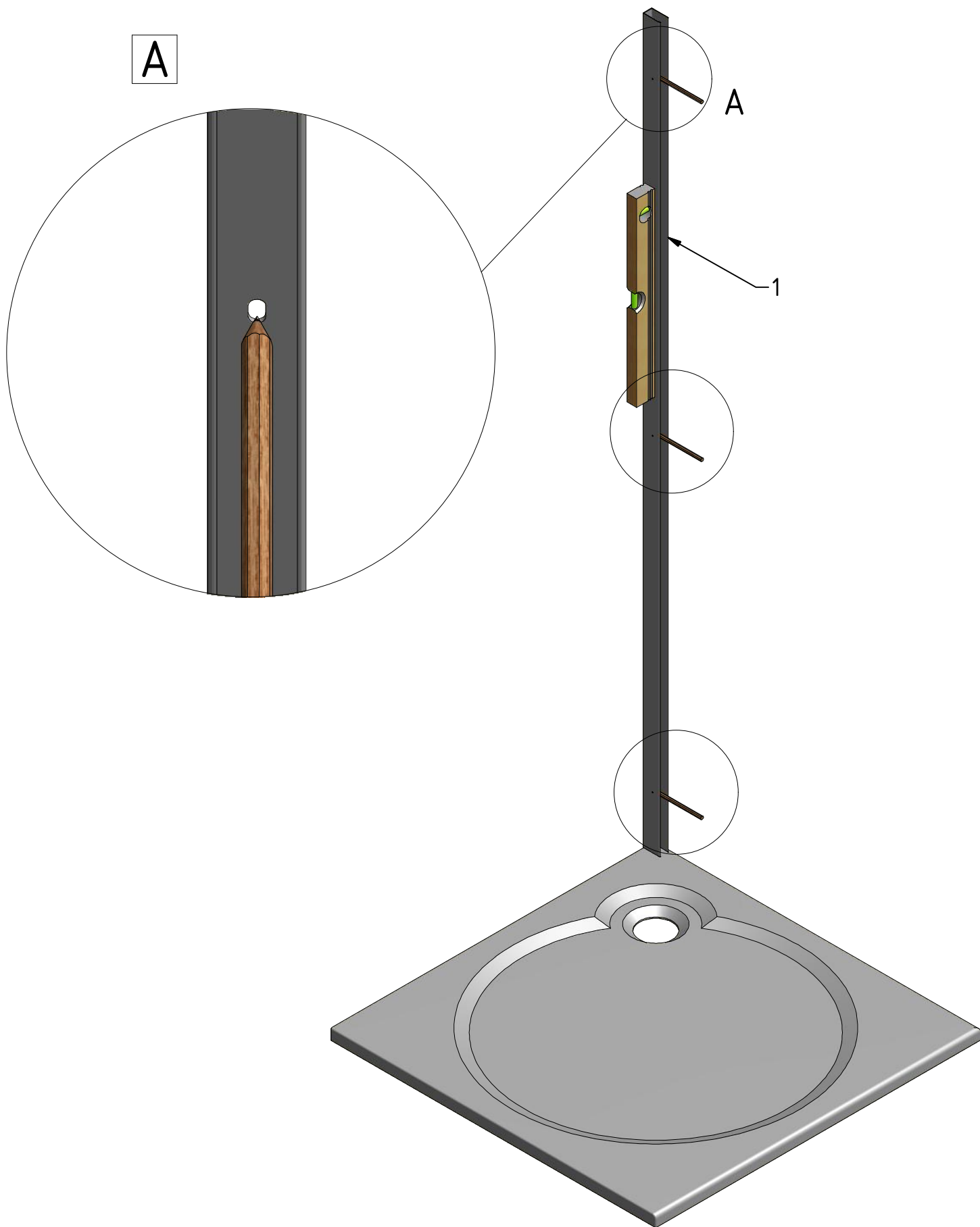
20. 1x  
M0838  
Ø2,8

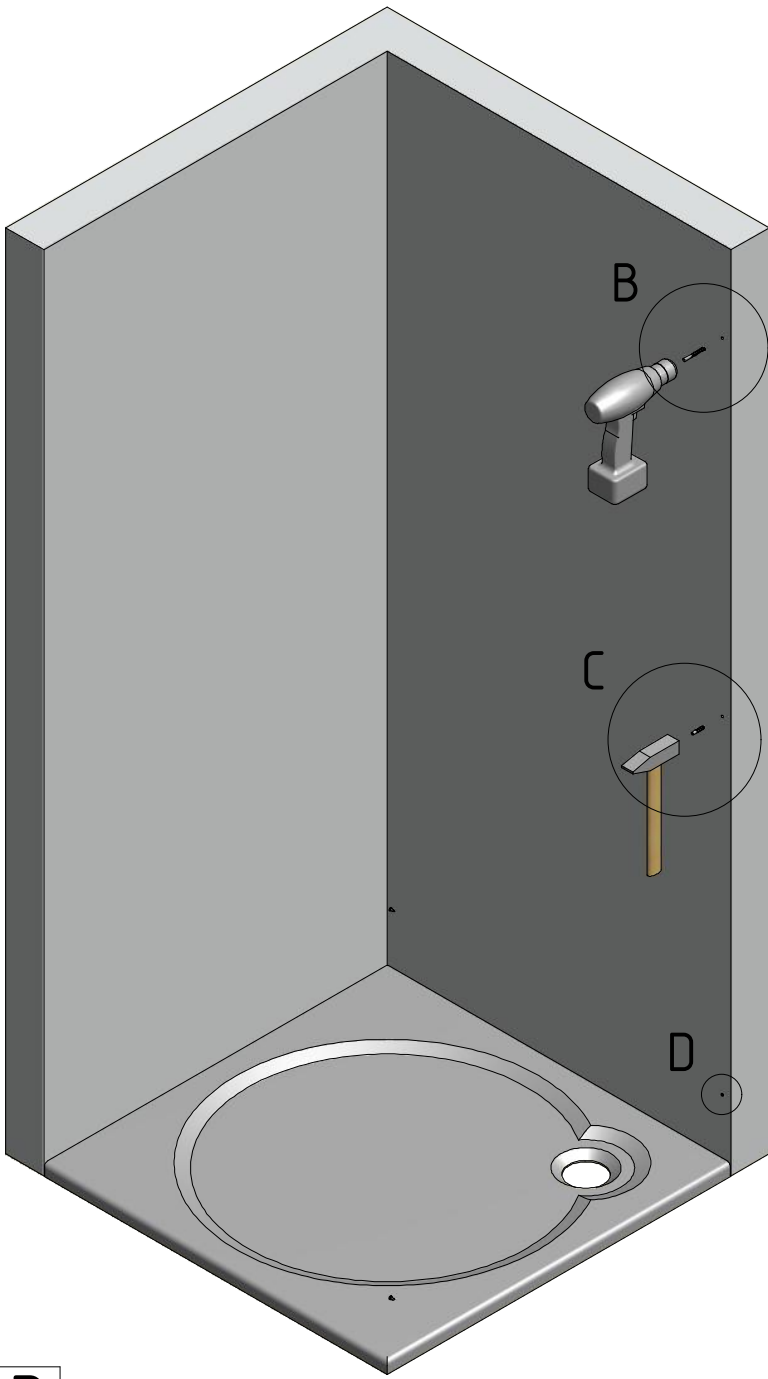


22. 1x  
M1916

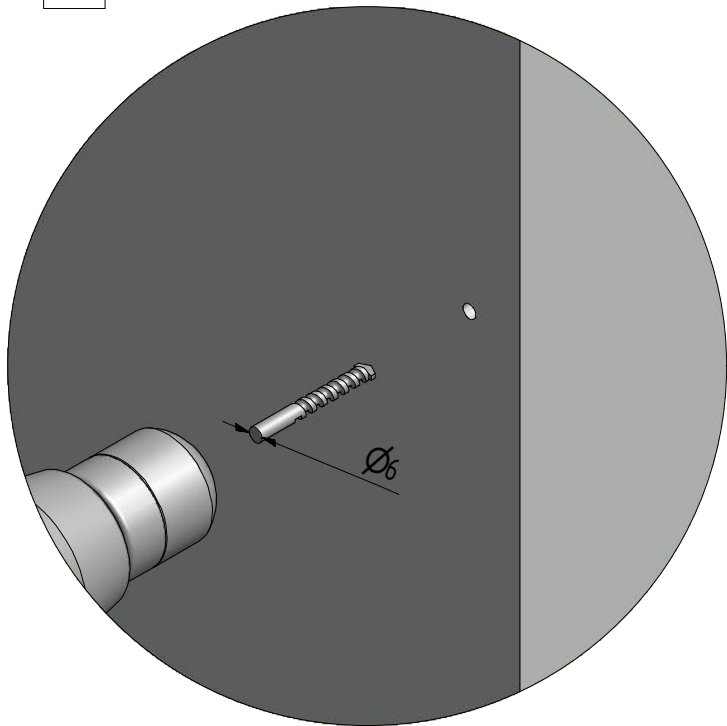


21. 1x  
P2743

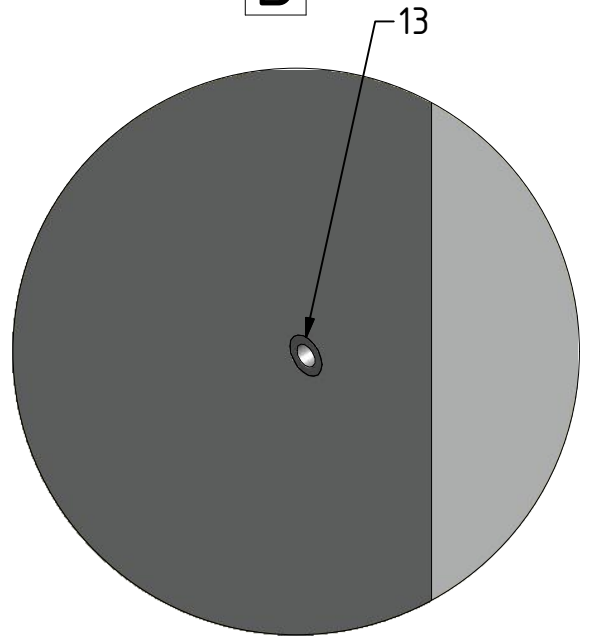




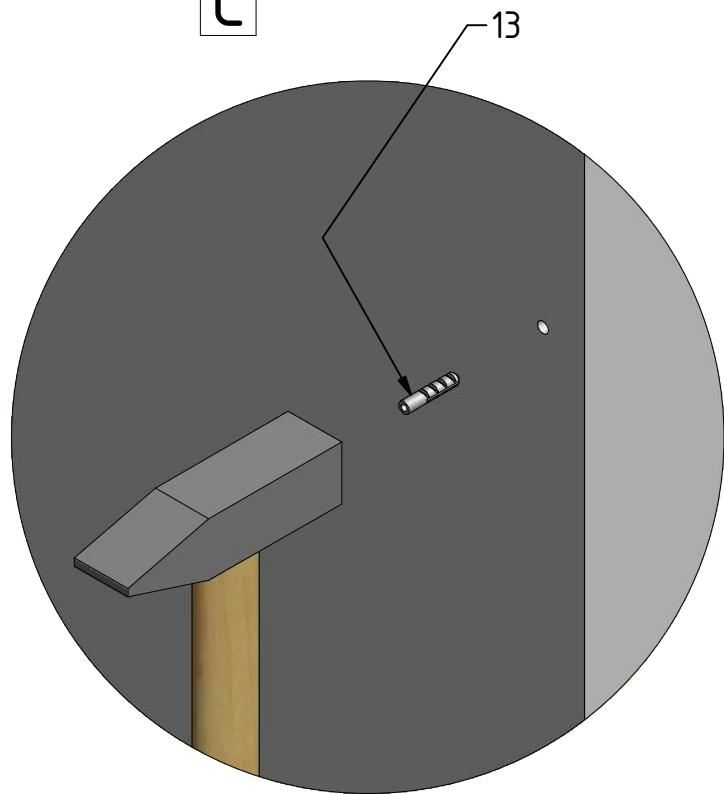
**B**



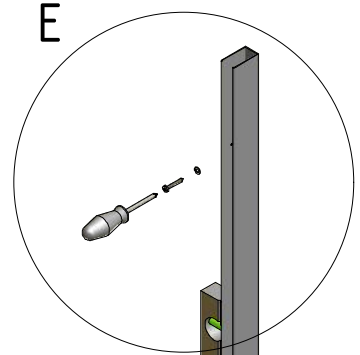
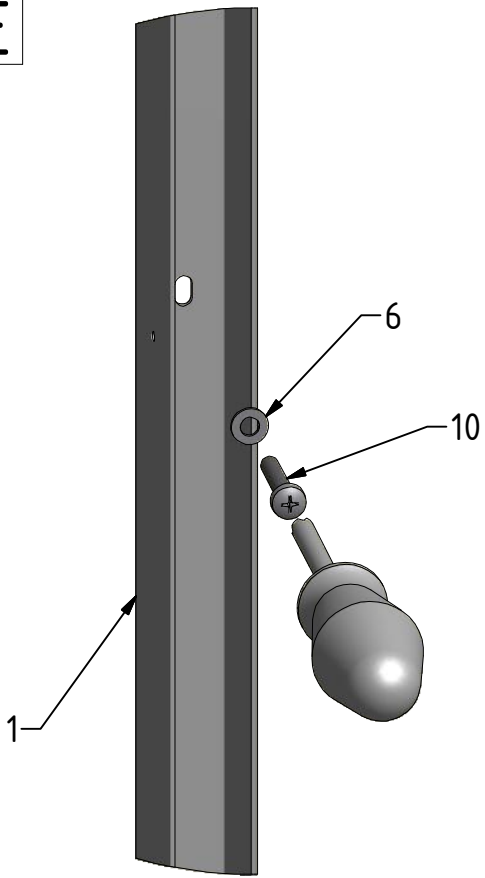
**D**



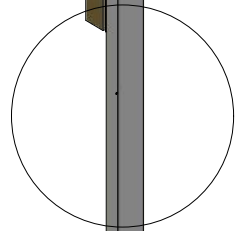
**C**



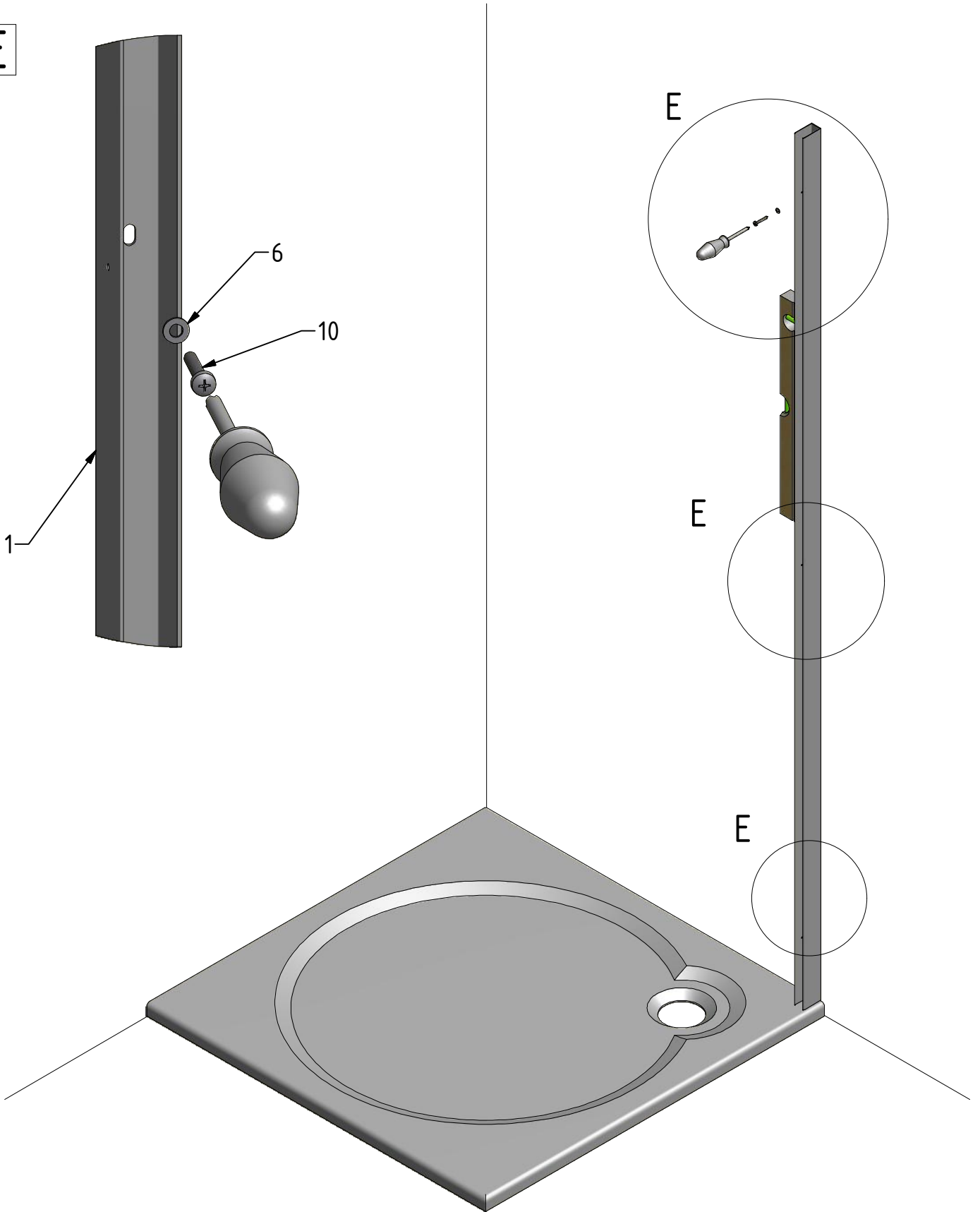
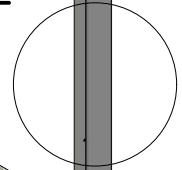
E

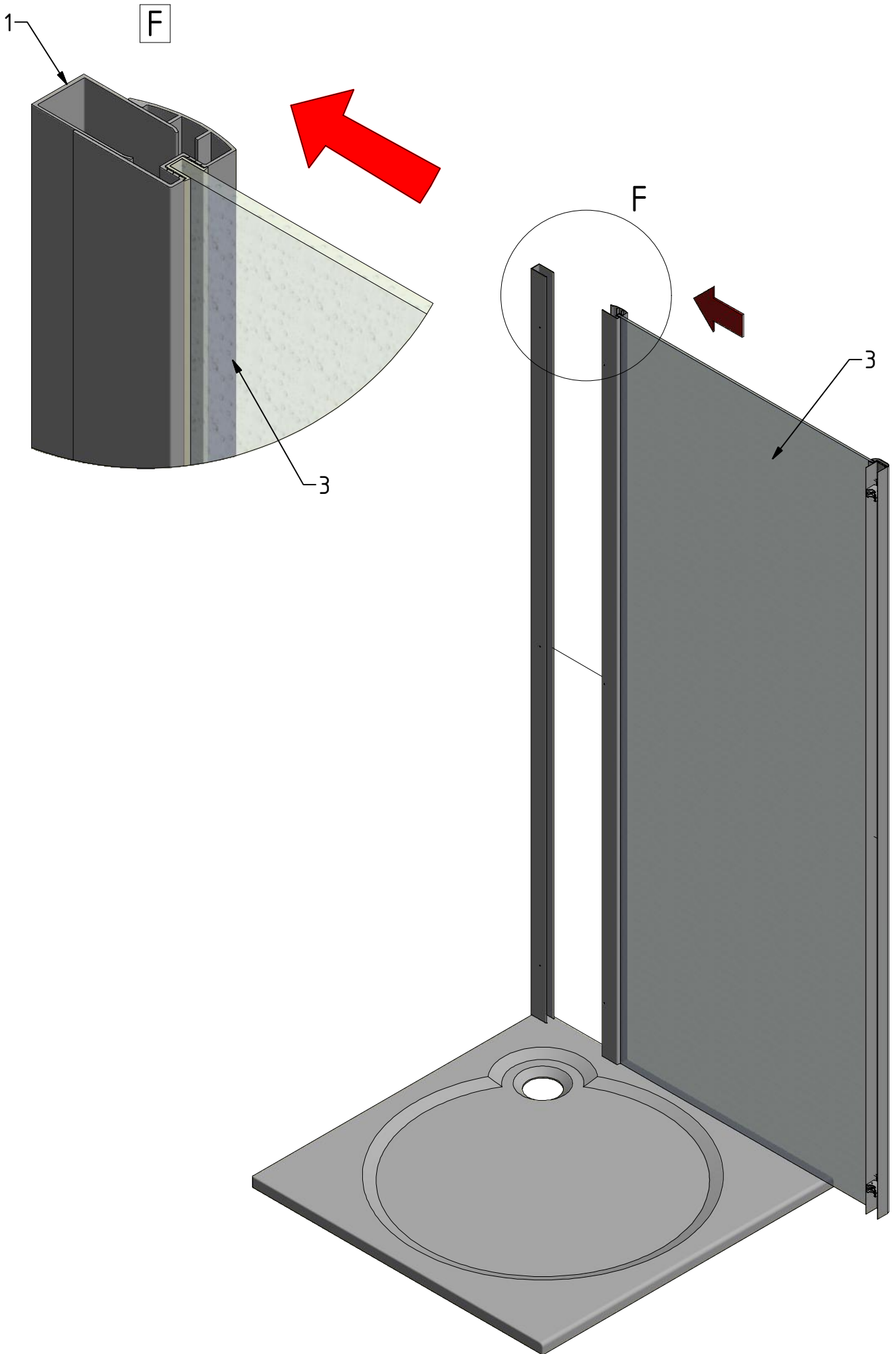


E

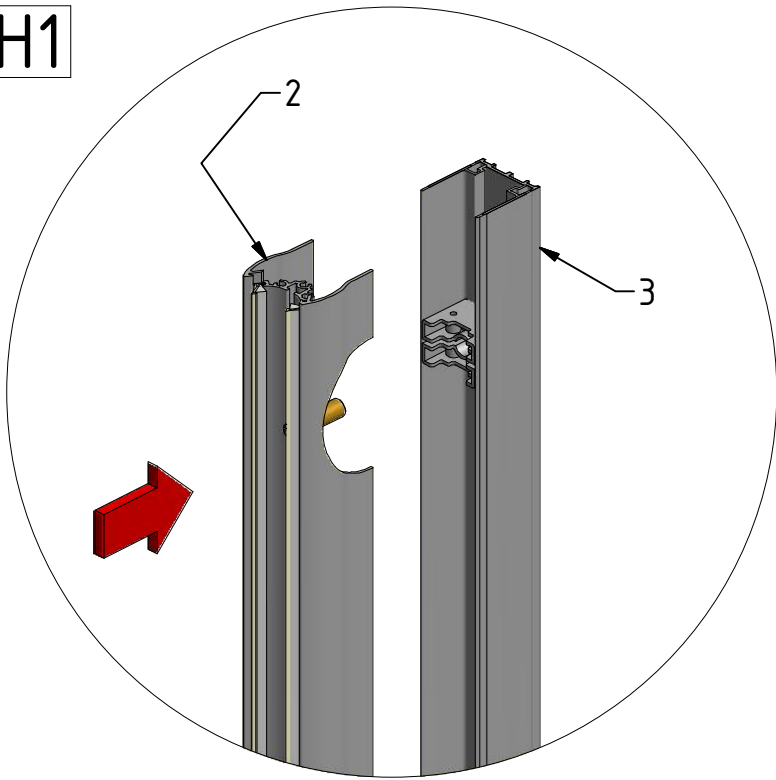


E

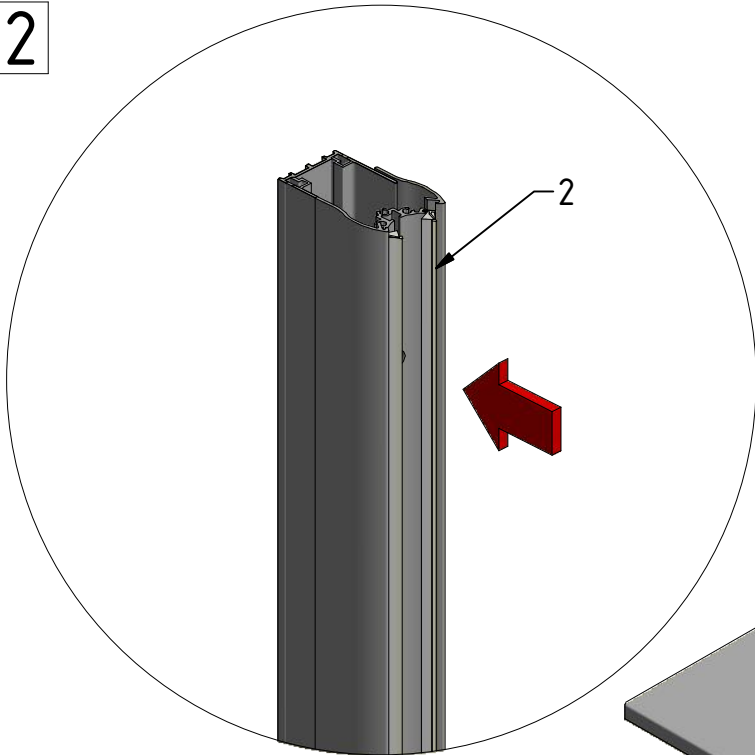




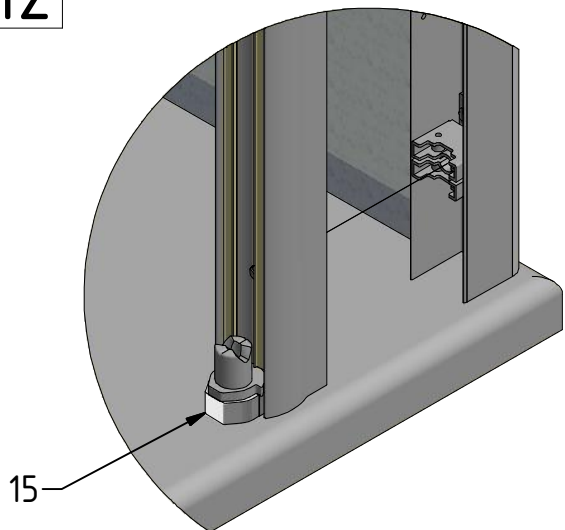
H1



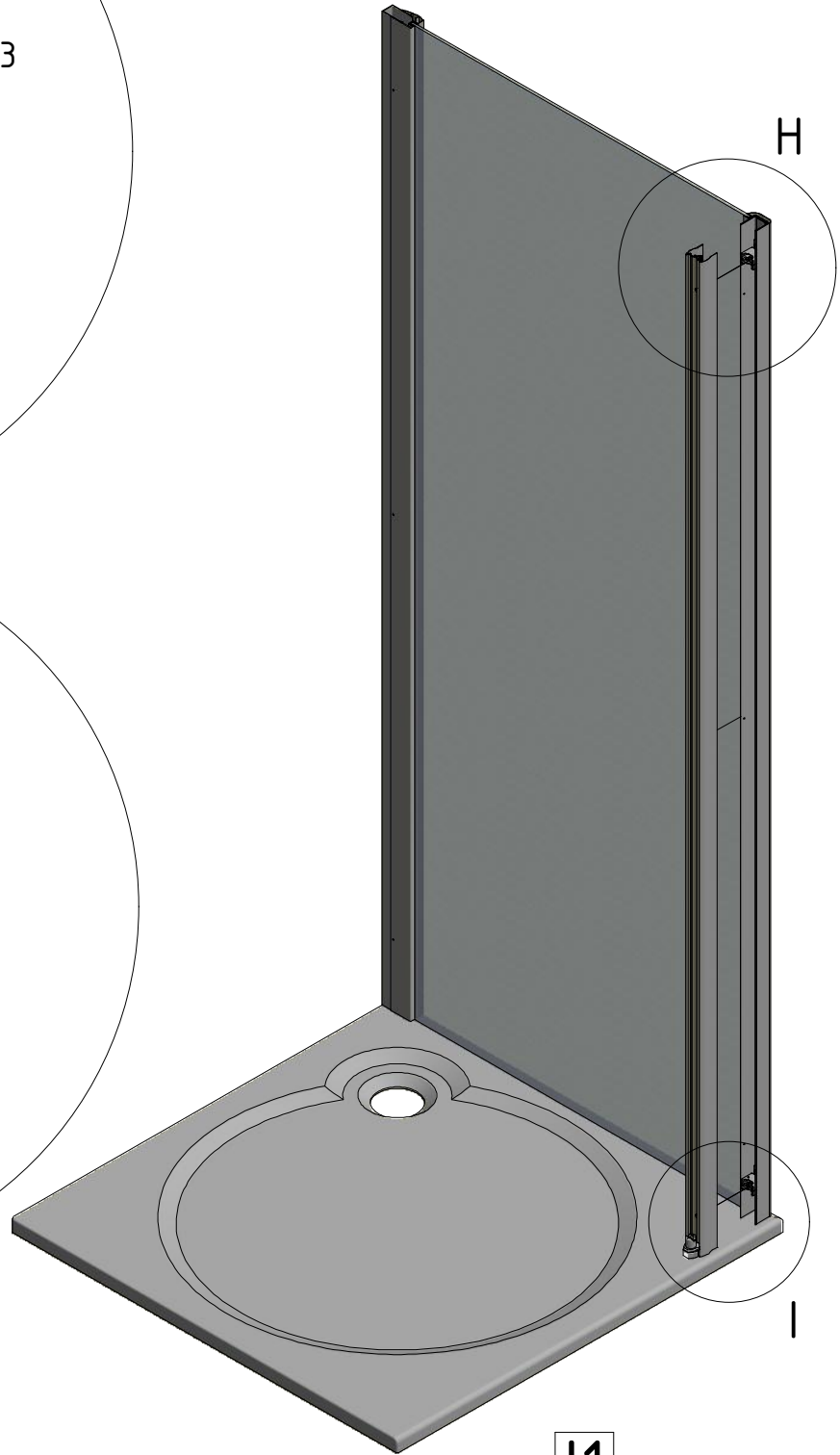
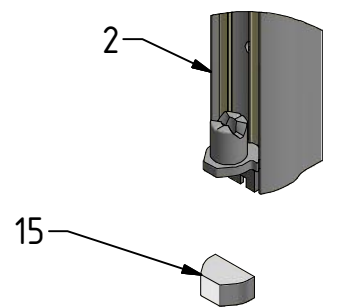
H2



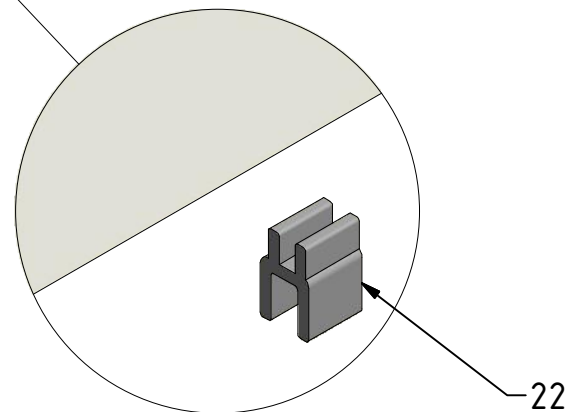
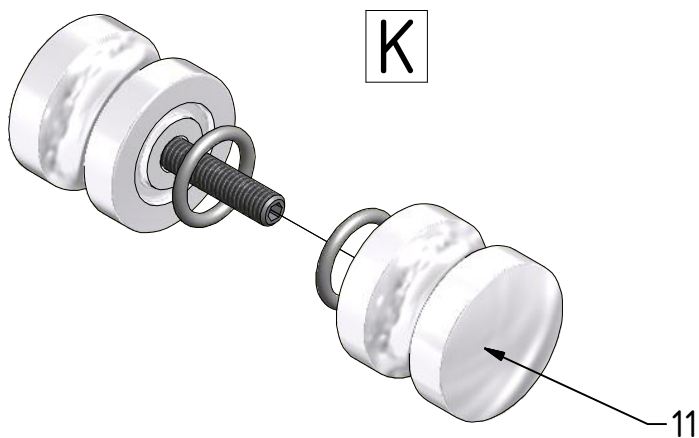
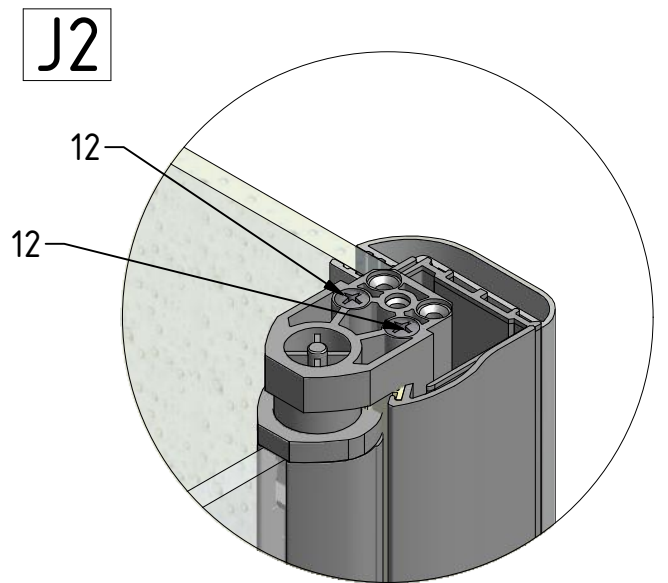
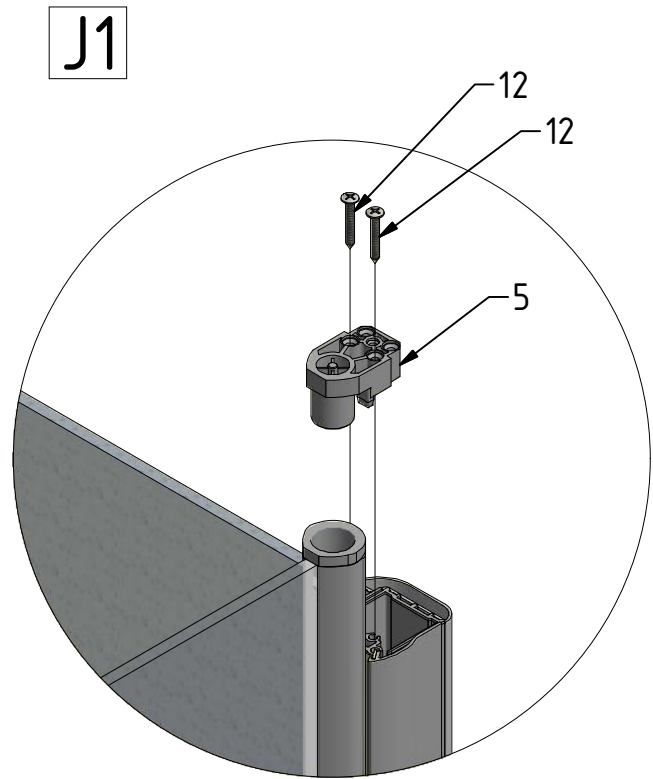
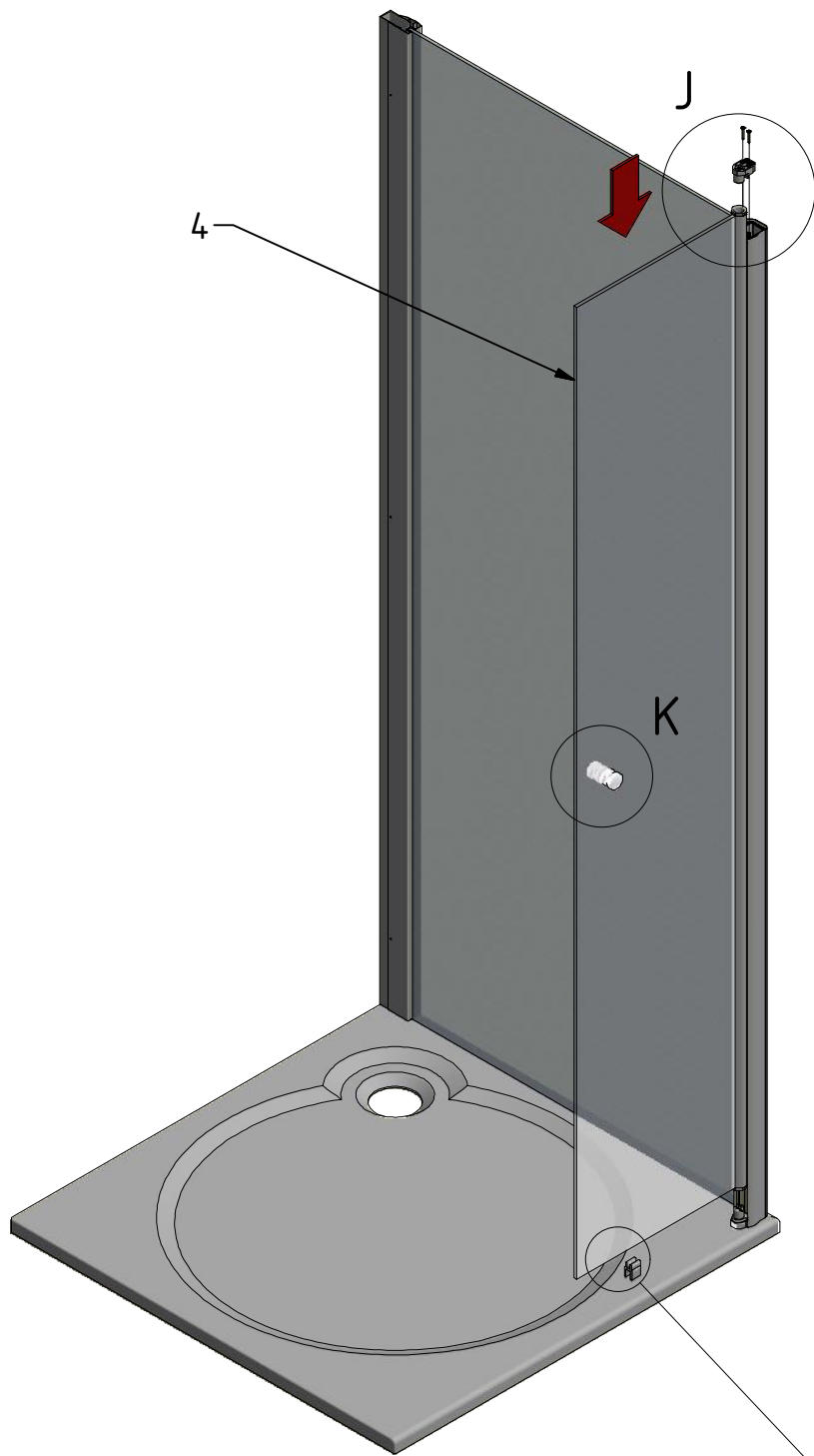
I2

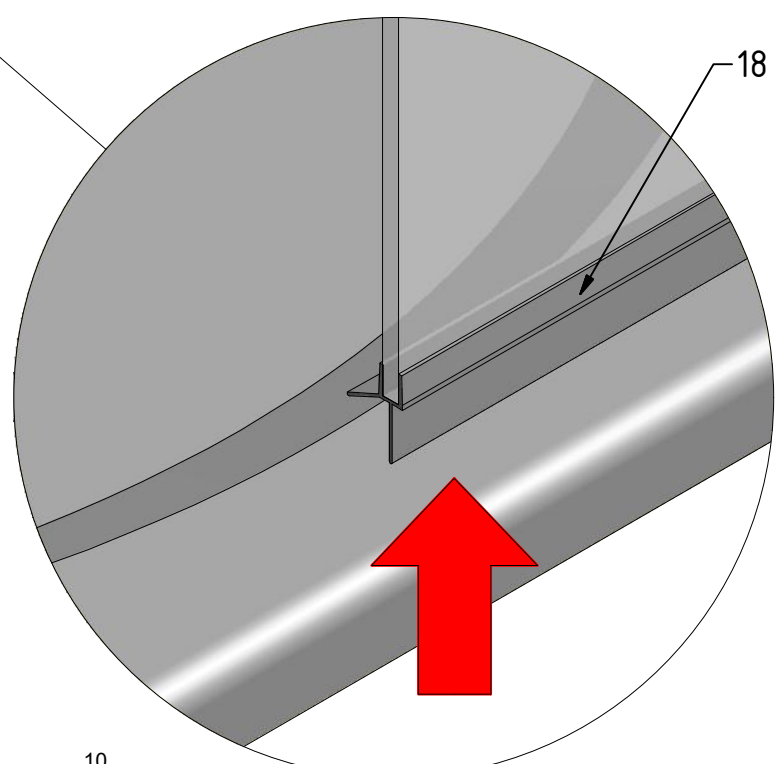
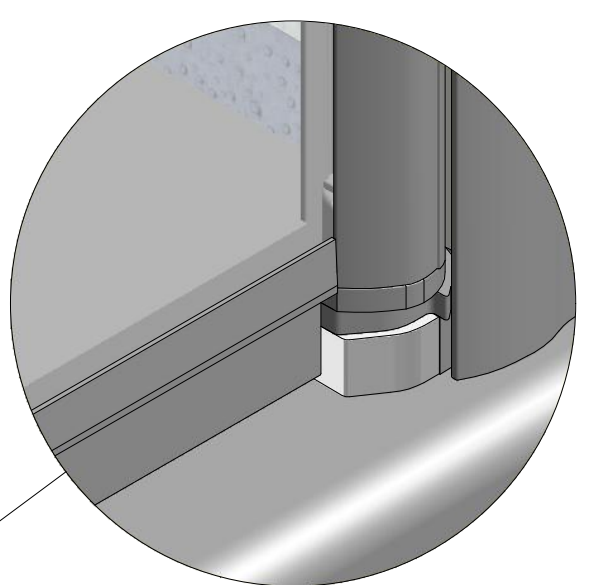
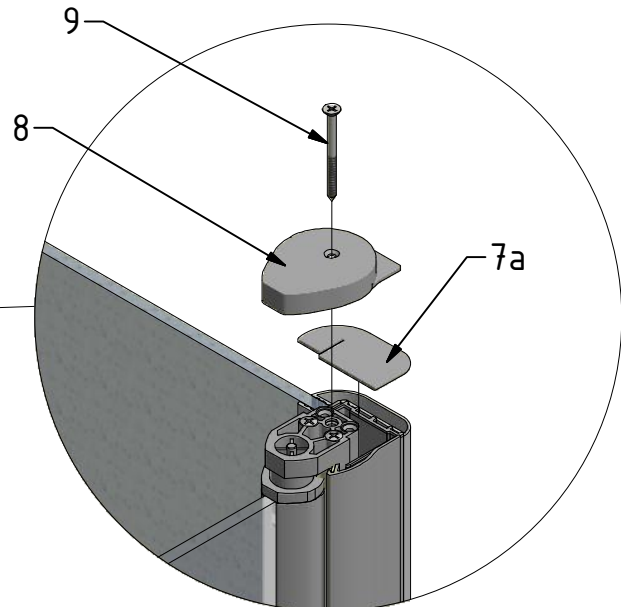
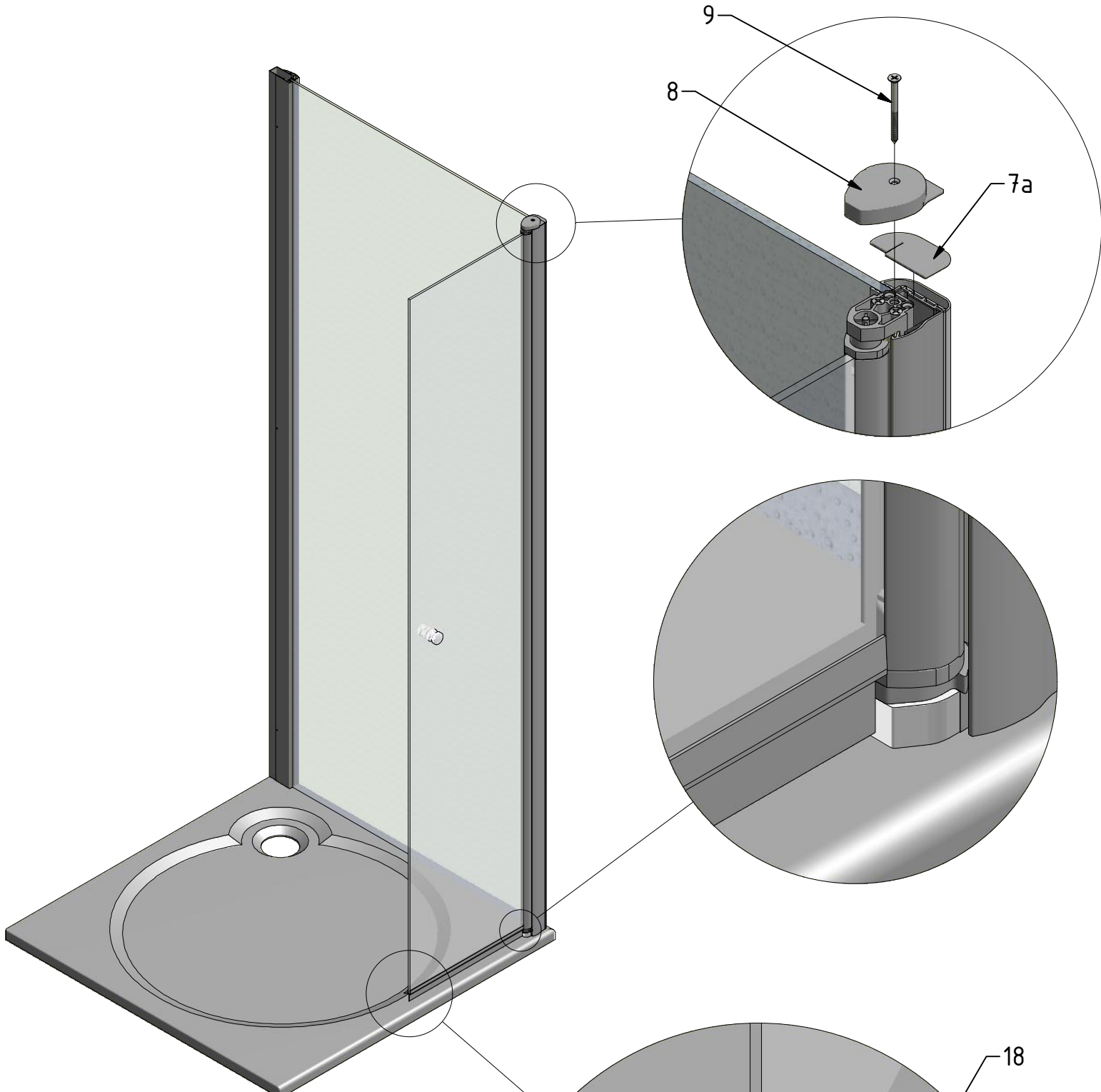


I1

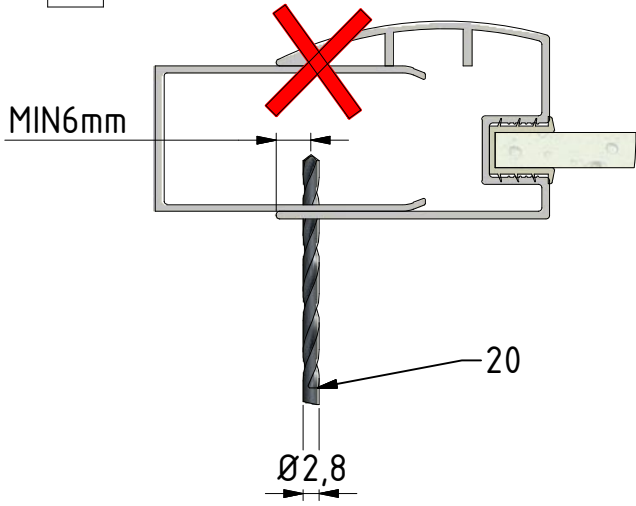




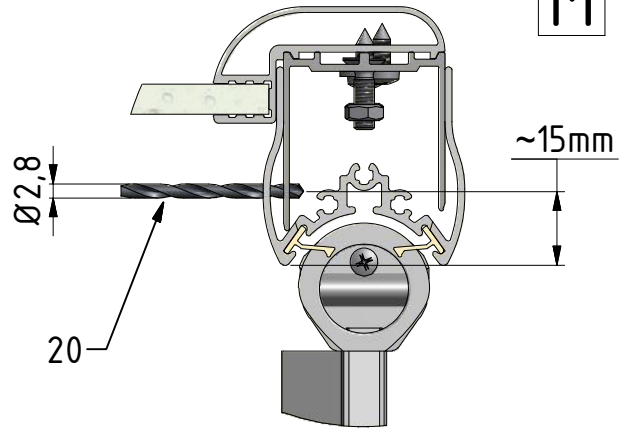




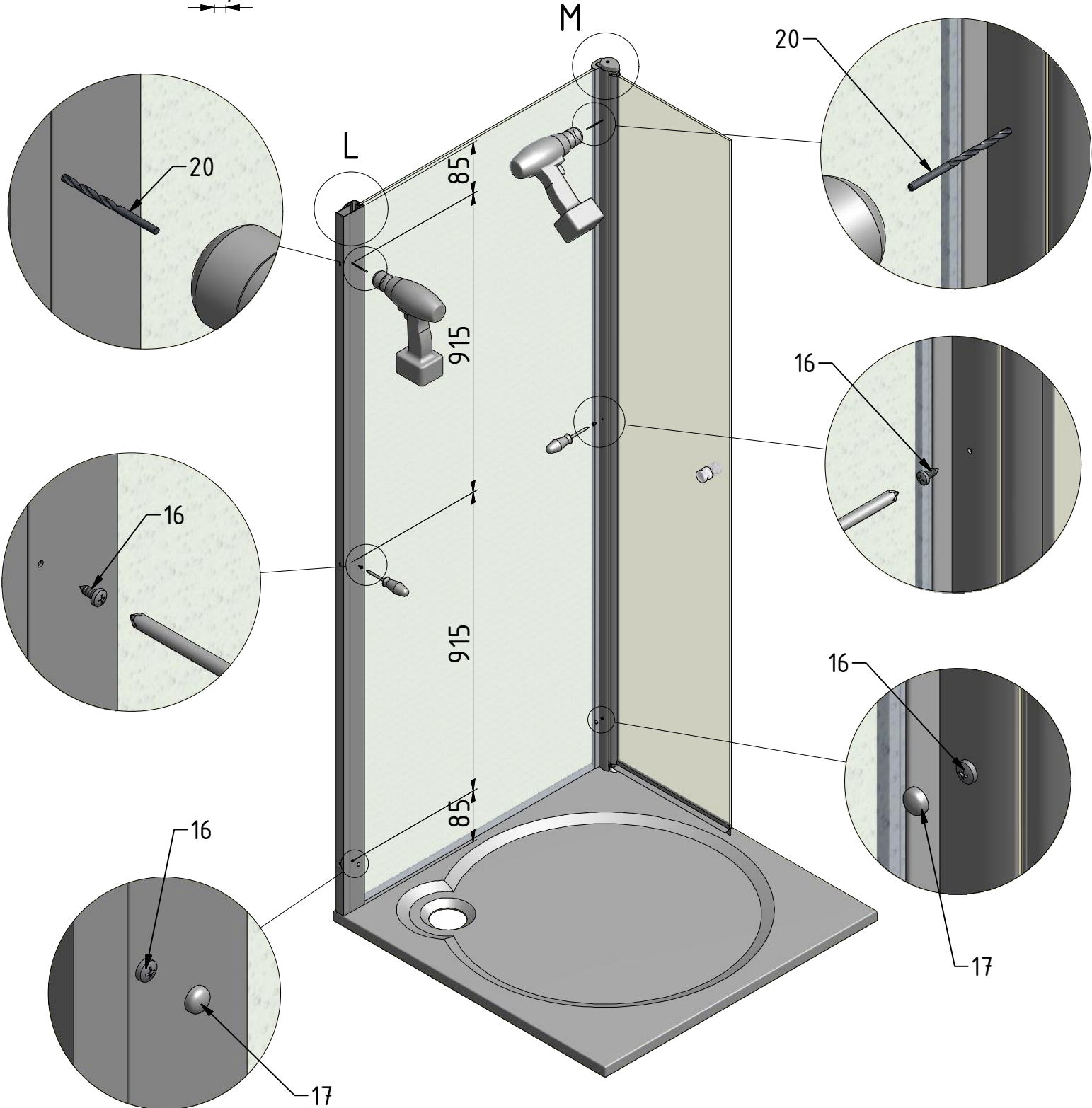
L



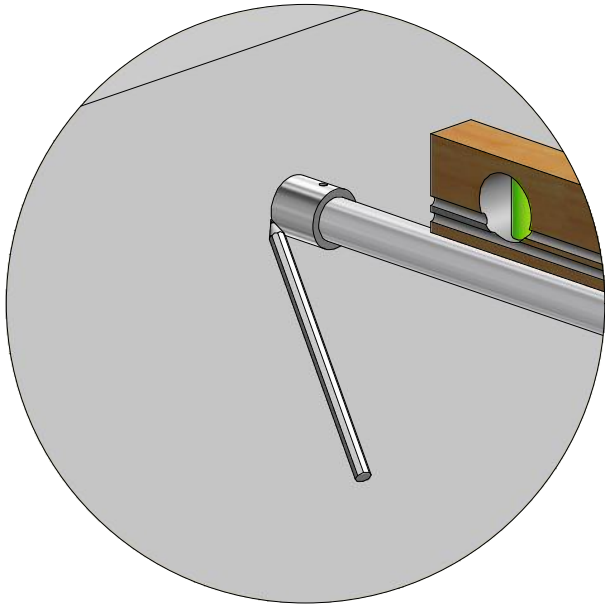
M



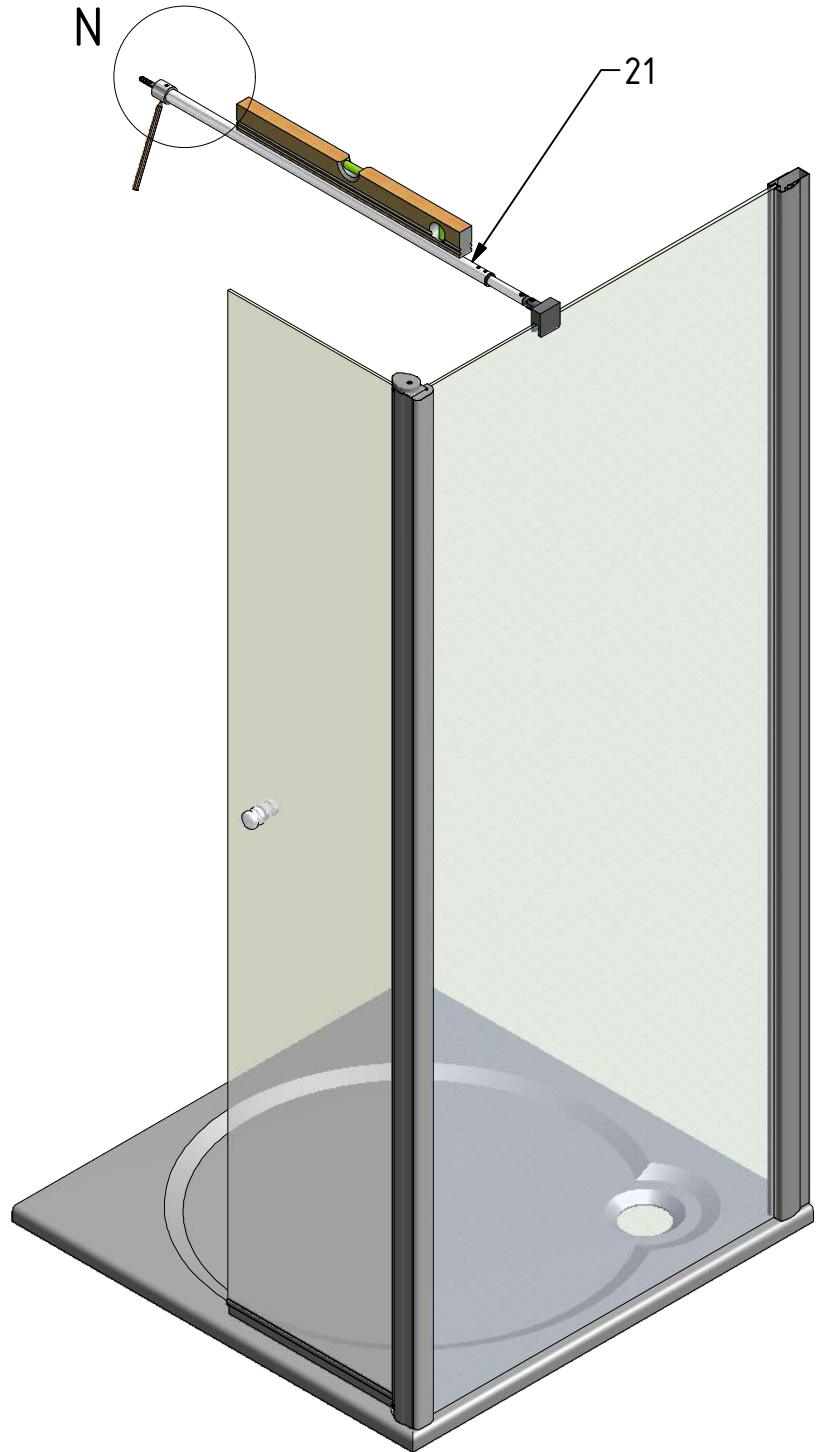
M



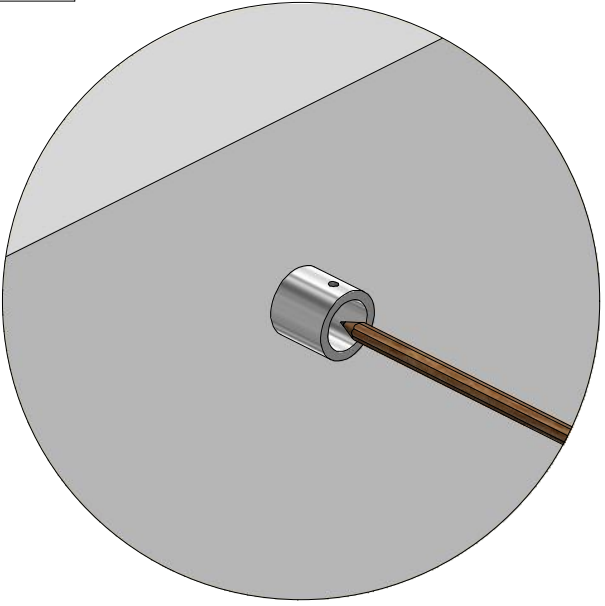
N1



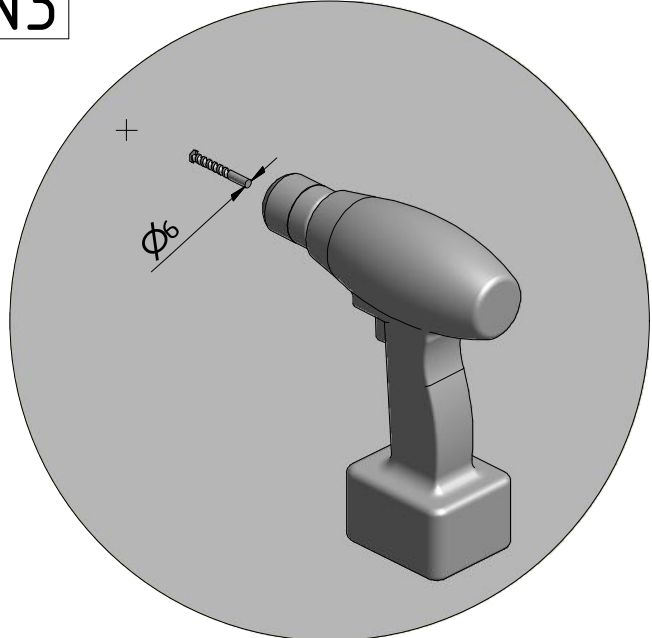
N



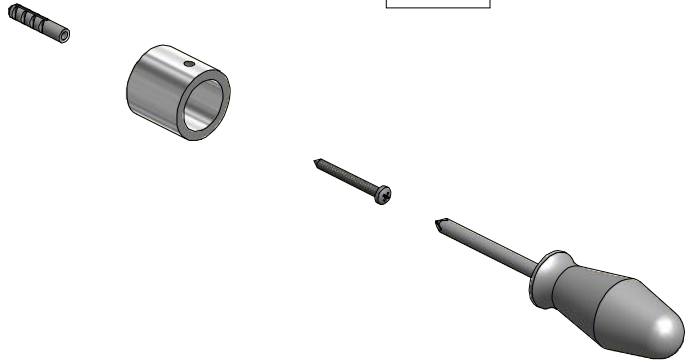
N2



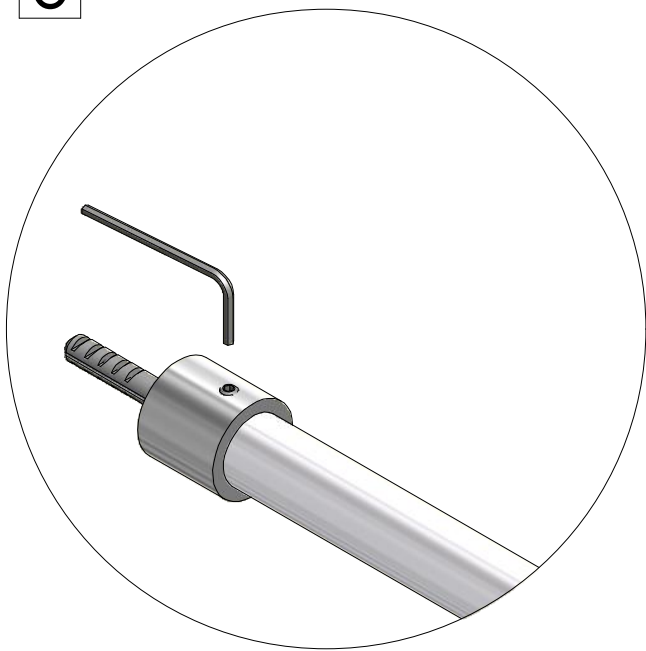
N3



N4



0

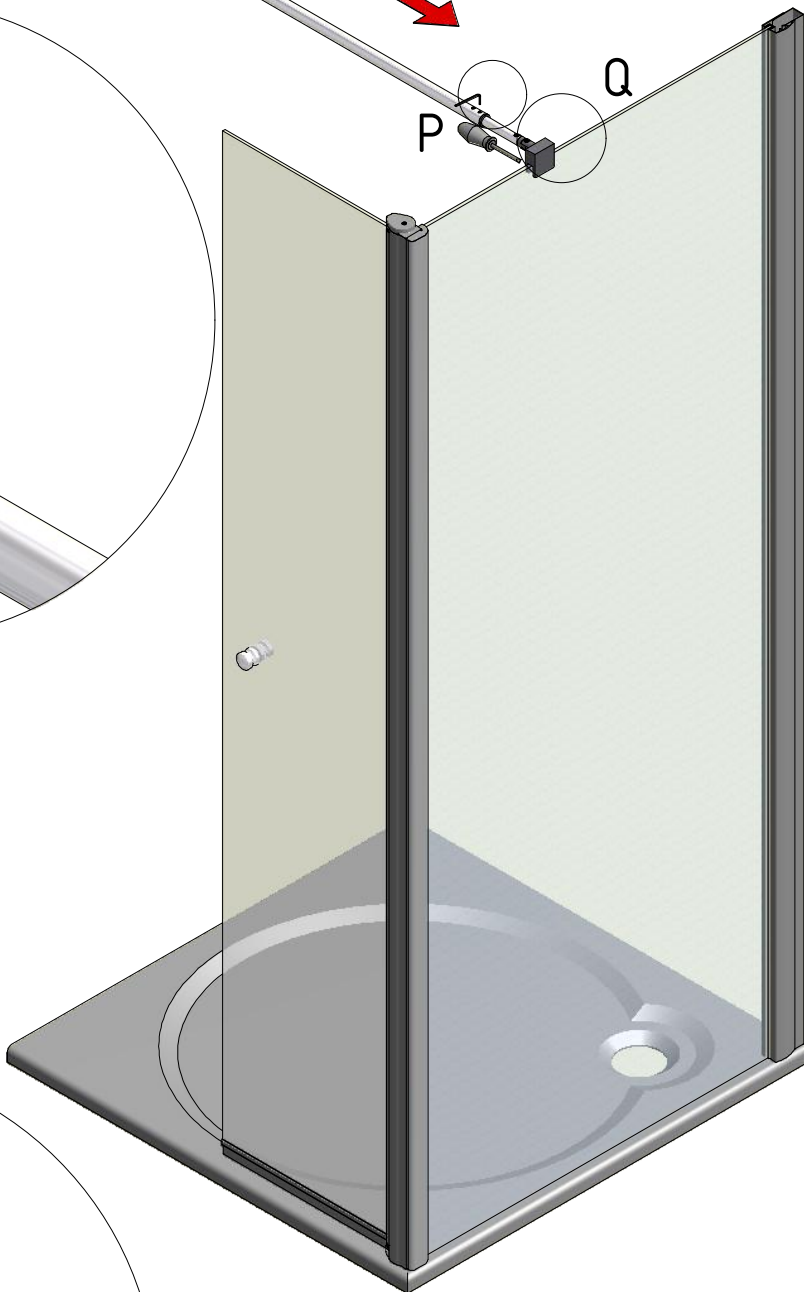


0



P

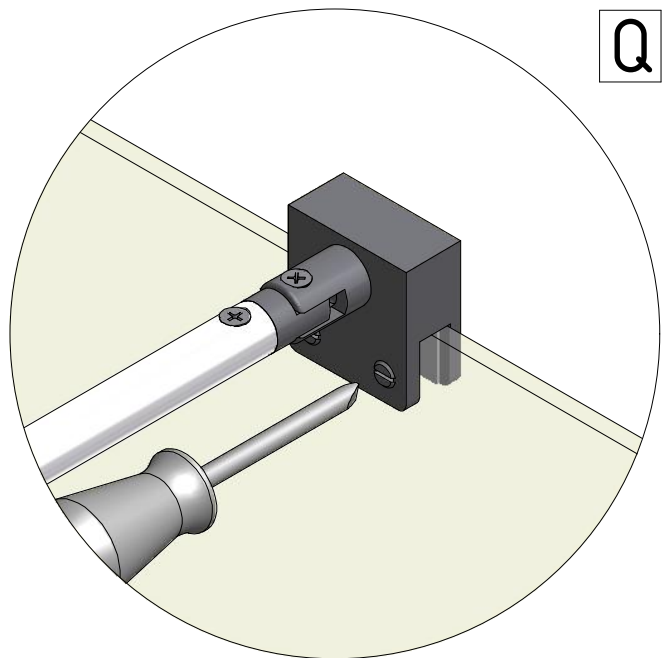
Q

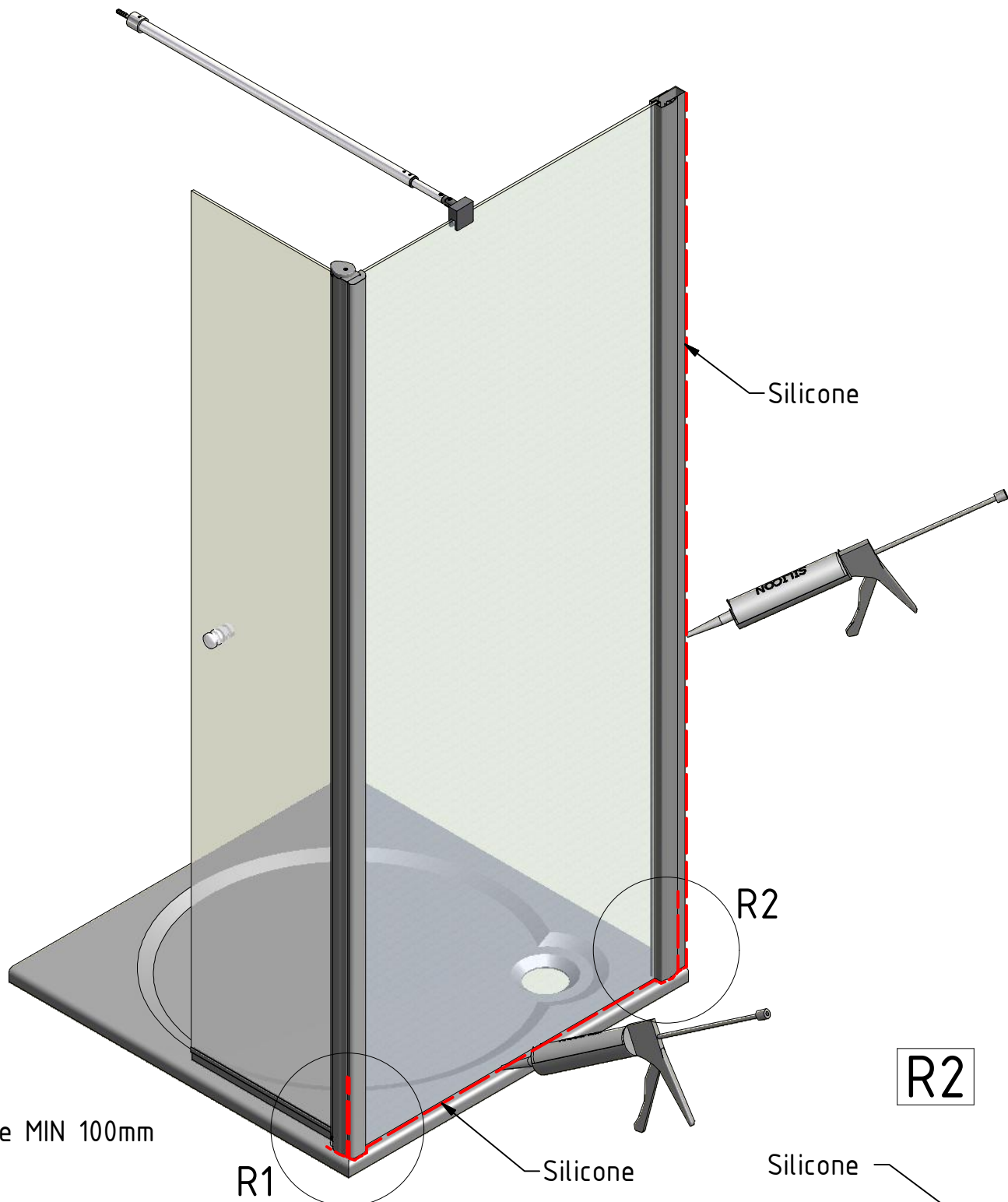


P



Q





R1

Silicone MIN 100mm

R1

Silicone

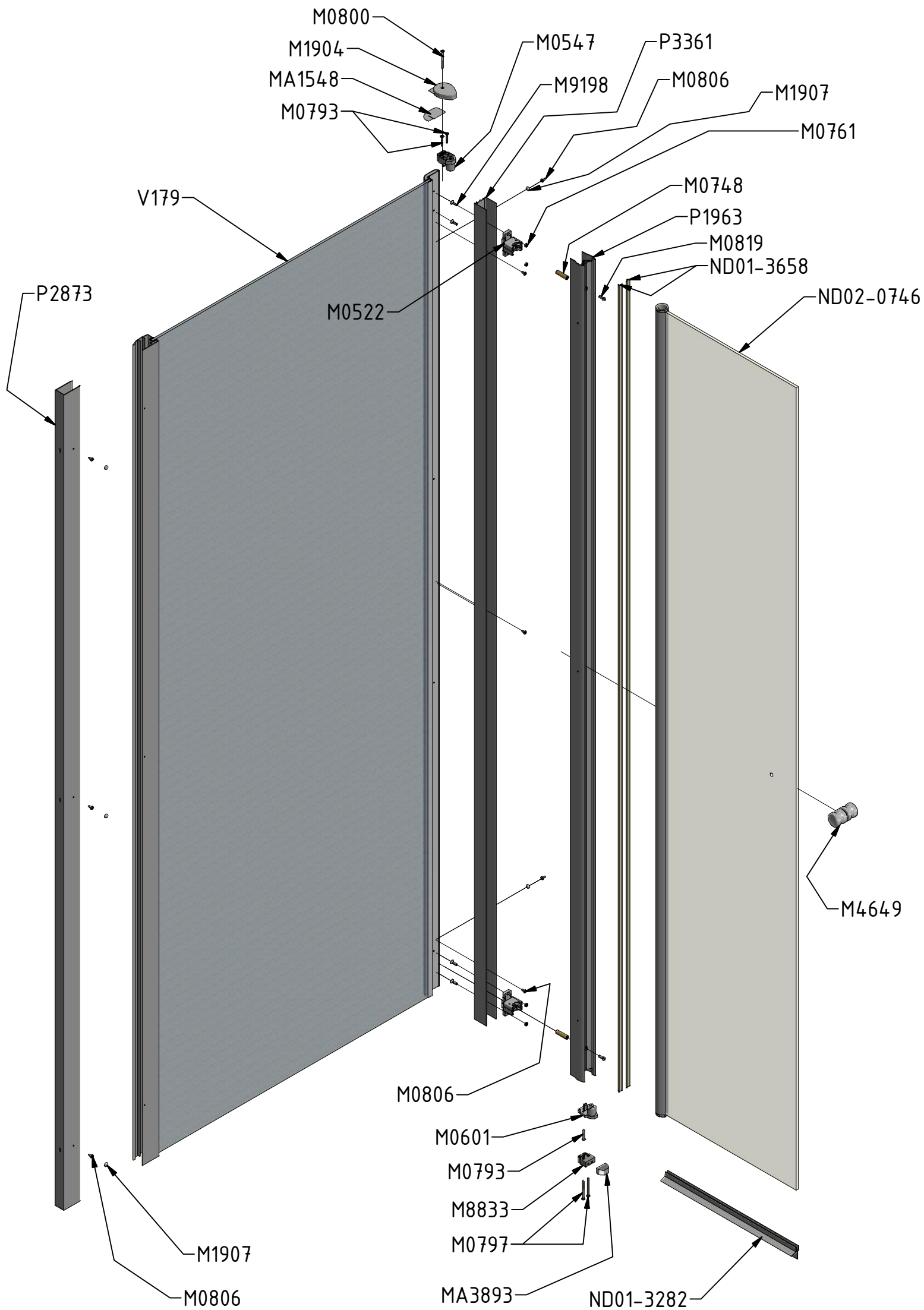
R2

Silicone

Silicone MIN 100mm

Silicone

Silicone



V179	800	clear glass+brillant	ND03-0665-00-02
	900	clear glass+brillant	ND03-0666-00-02
	1000	clear glass+brillant	ND03-0667-00-02
	1200	clear glass+brillant	ND03-0668-00-02
	1400	clear glass+brillant	ND03-0669-00-02