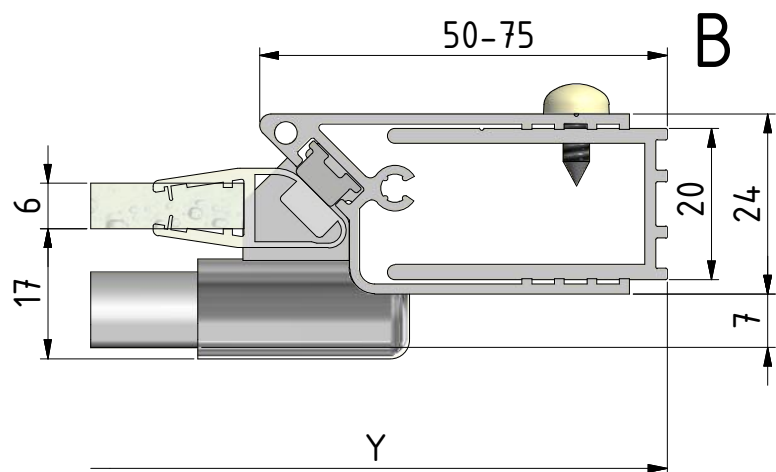
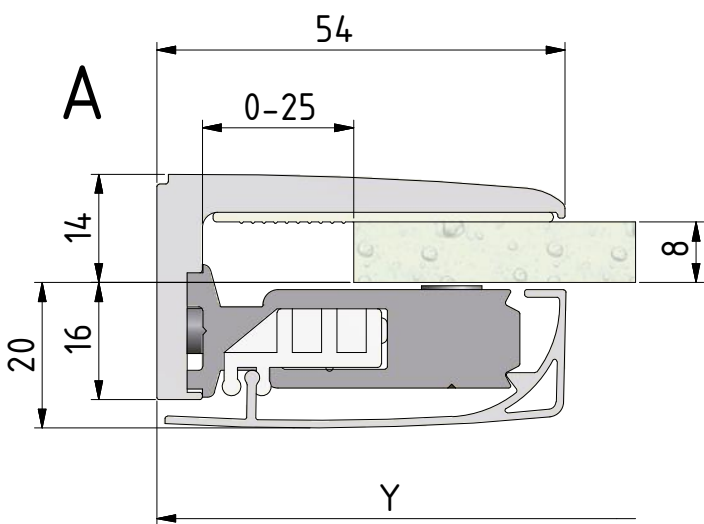
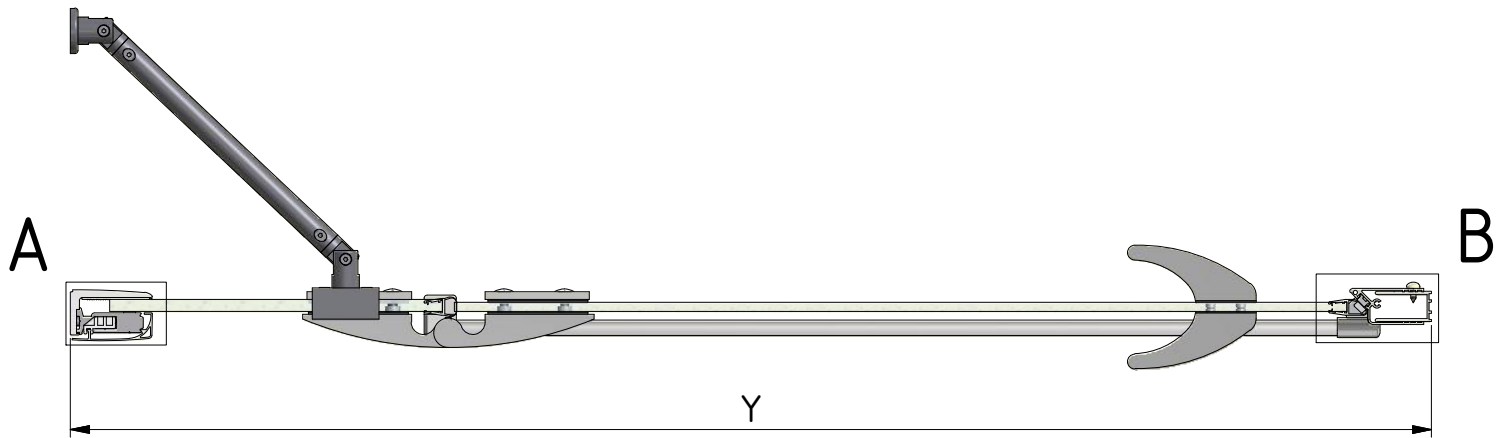


GDNL1

GDNP1

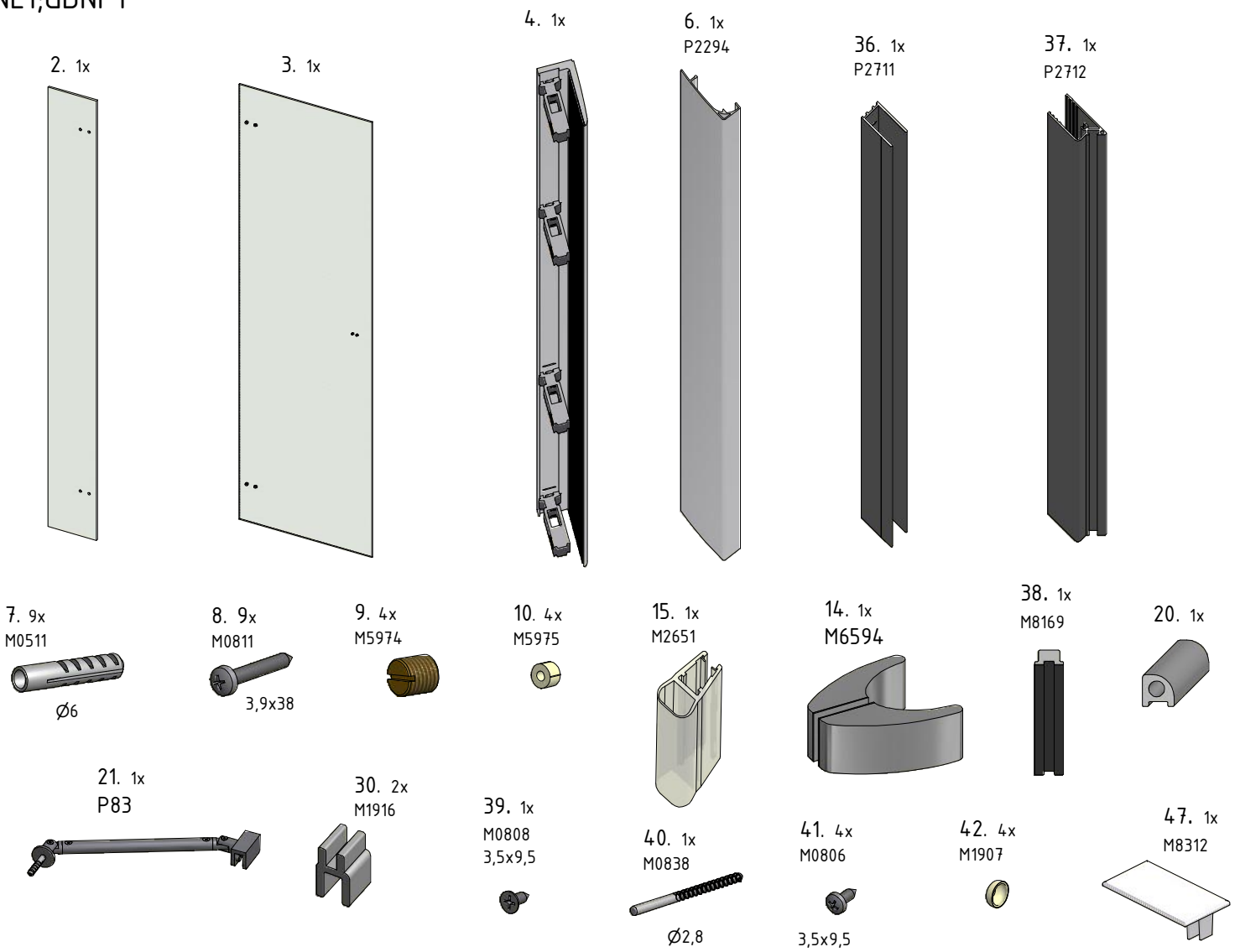


Ü[c@Ô: ^&@Á ÈÈ ÈÁÔ: ^&@Ü^] ~ à|&ÁÁ Î JÁHÁÁ ^àæ[çÁÎ €
tel.: +420 461 324 301, fax: +420 461 324 297
<http://www.roth-czech.cz> • E-Mail objednavky@roth-czech.cz

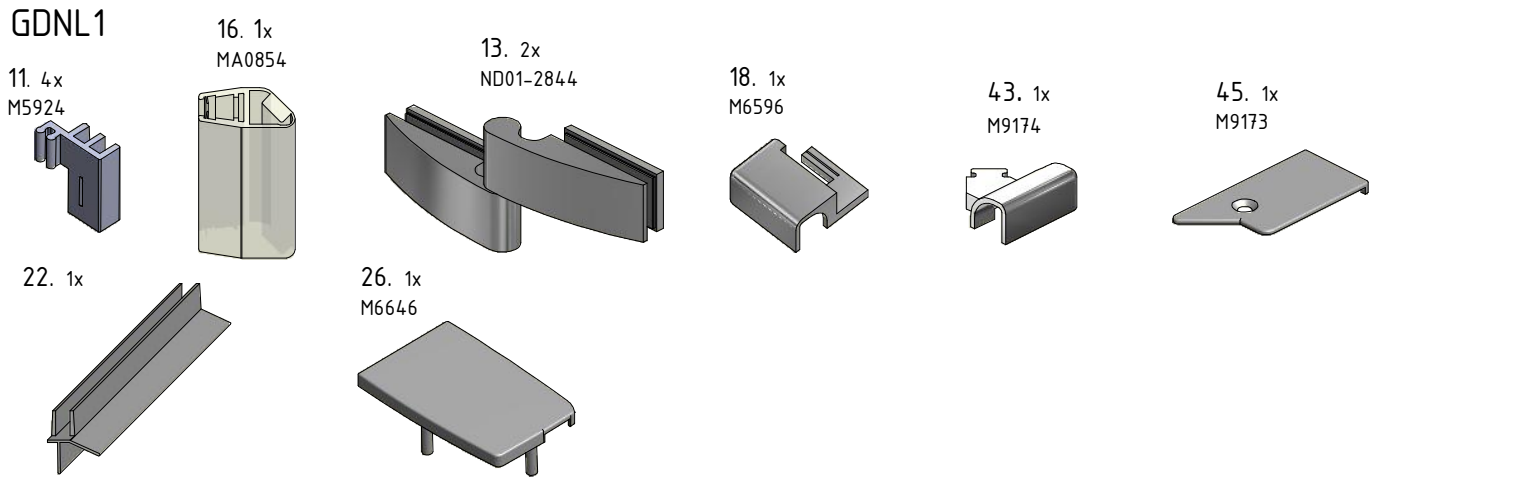


	Y
800	780-820
900	880-920
1000	980-1020
1100	1080-1120
1200	1180-1220
1300	1280-1320
1400	1380-1420
1500	1480-1520

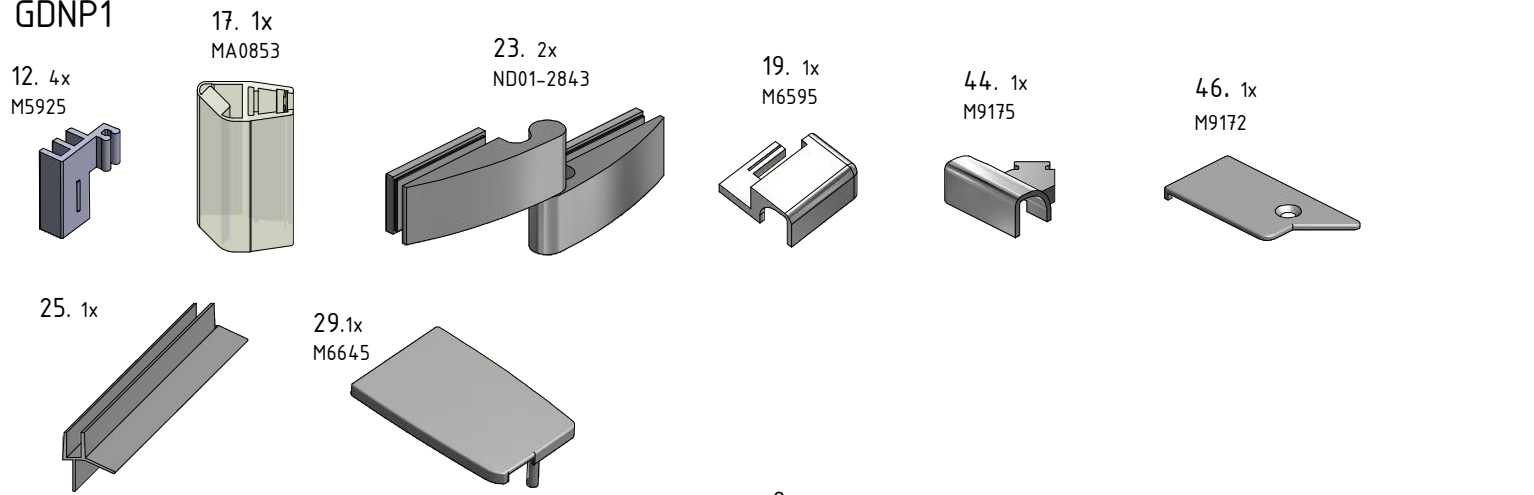
GDNL1;GDNP1

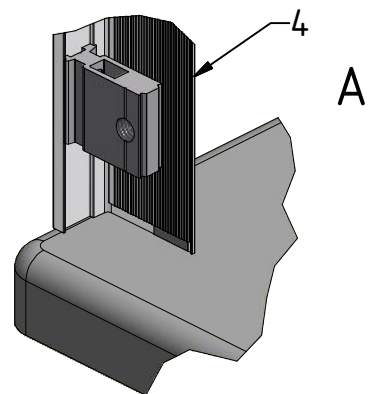
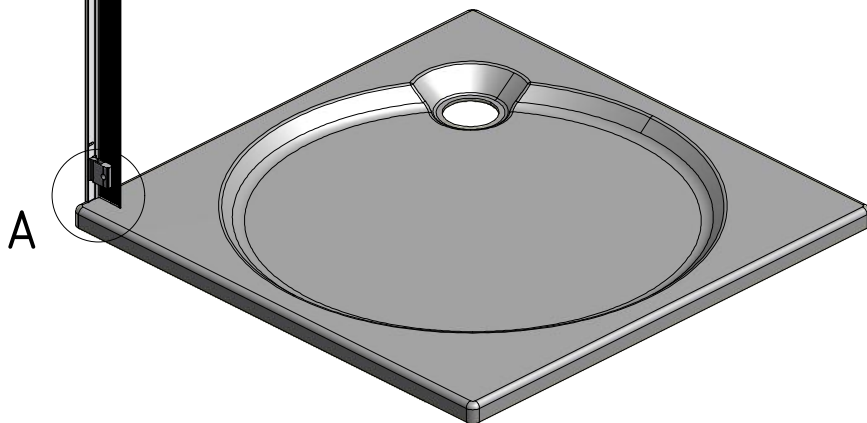
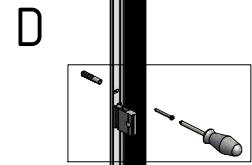
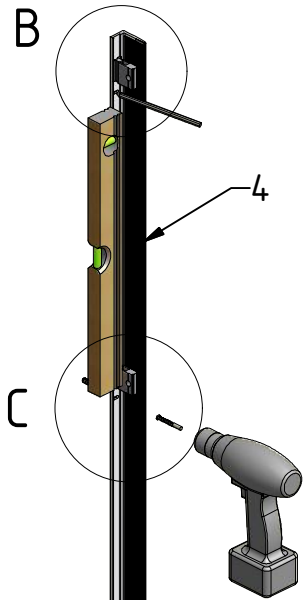
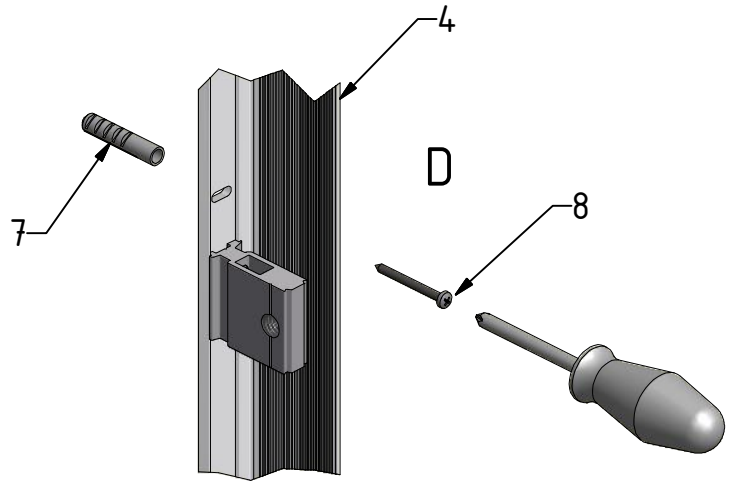
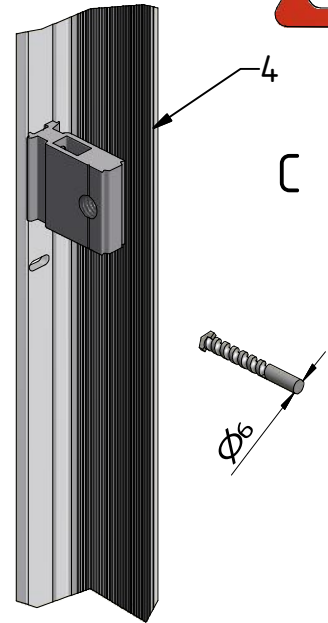
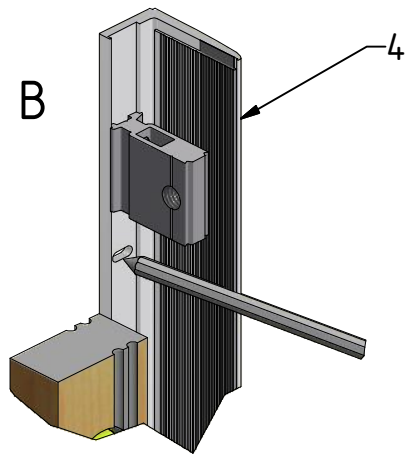
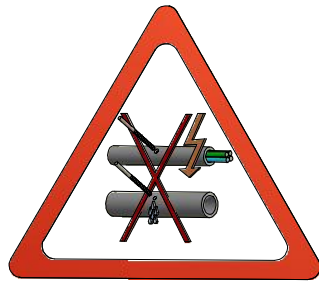


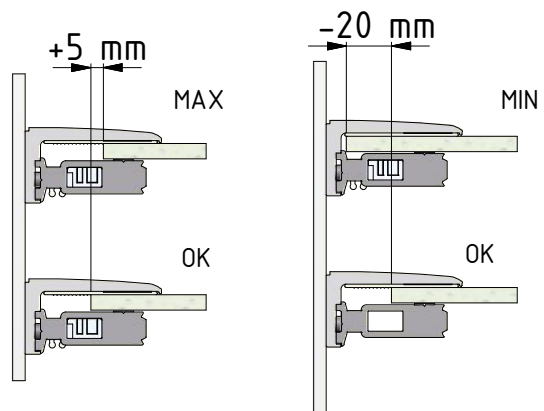
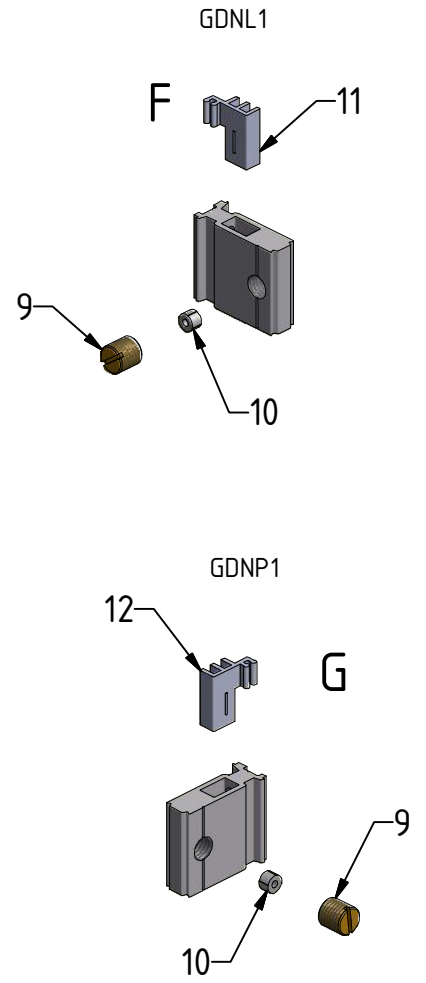
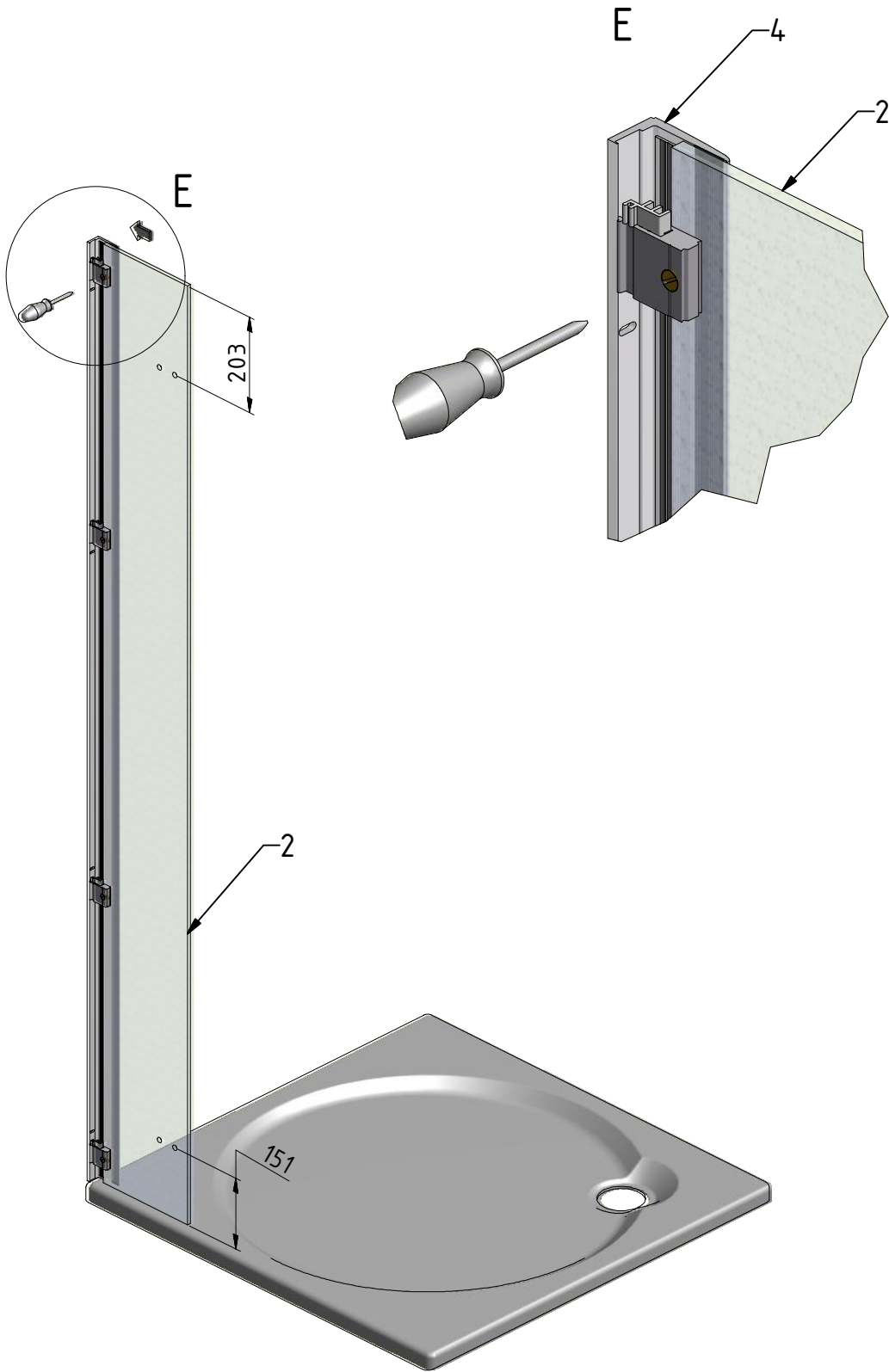
GDNL1

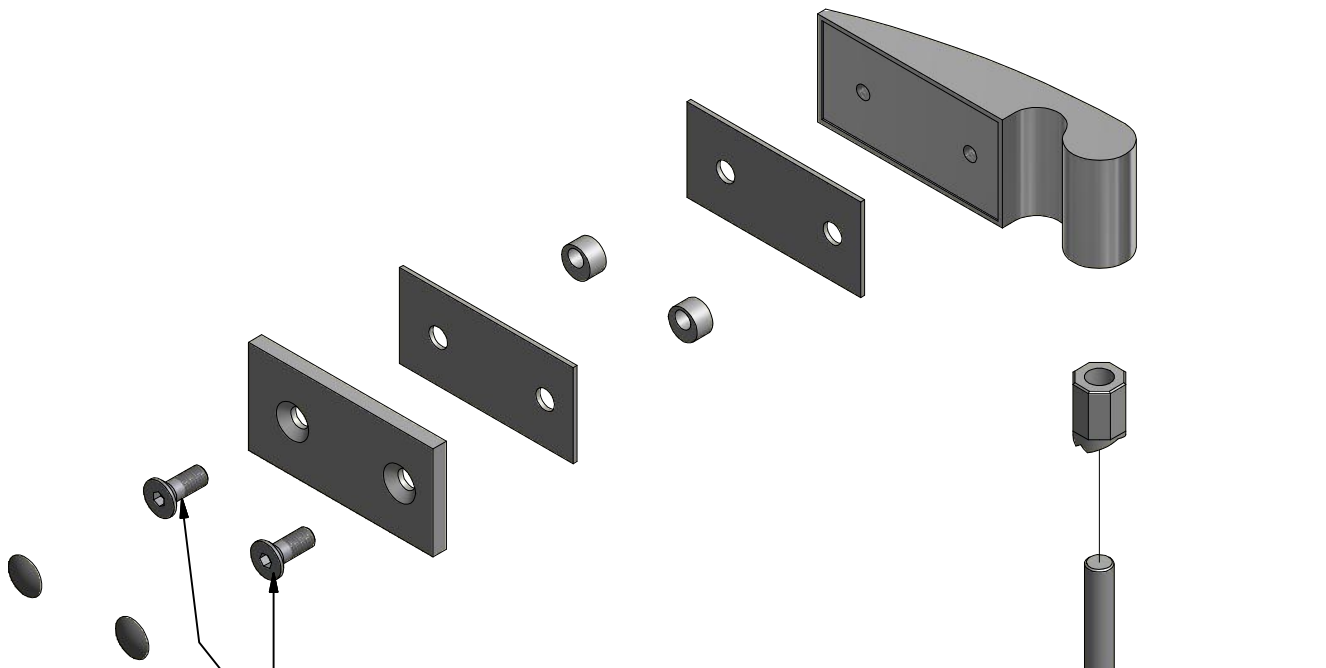


GDNP1





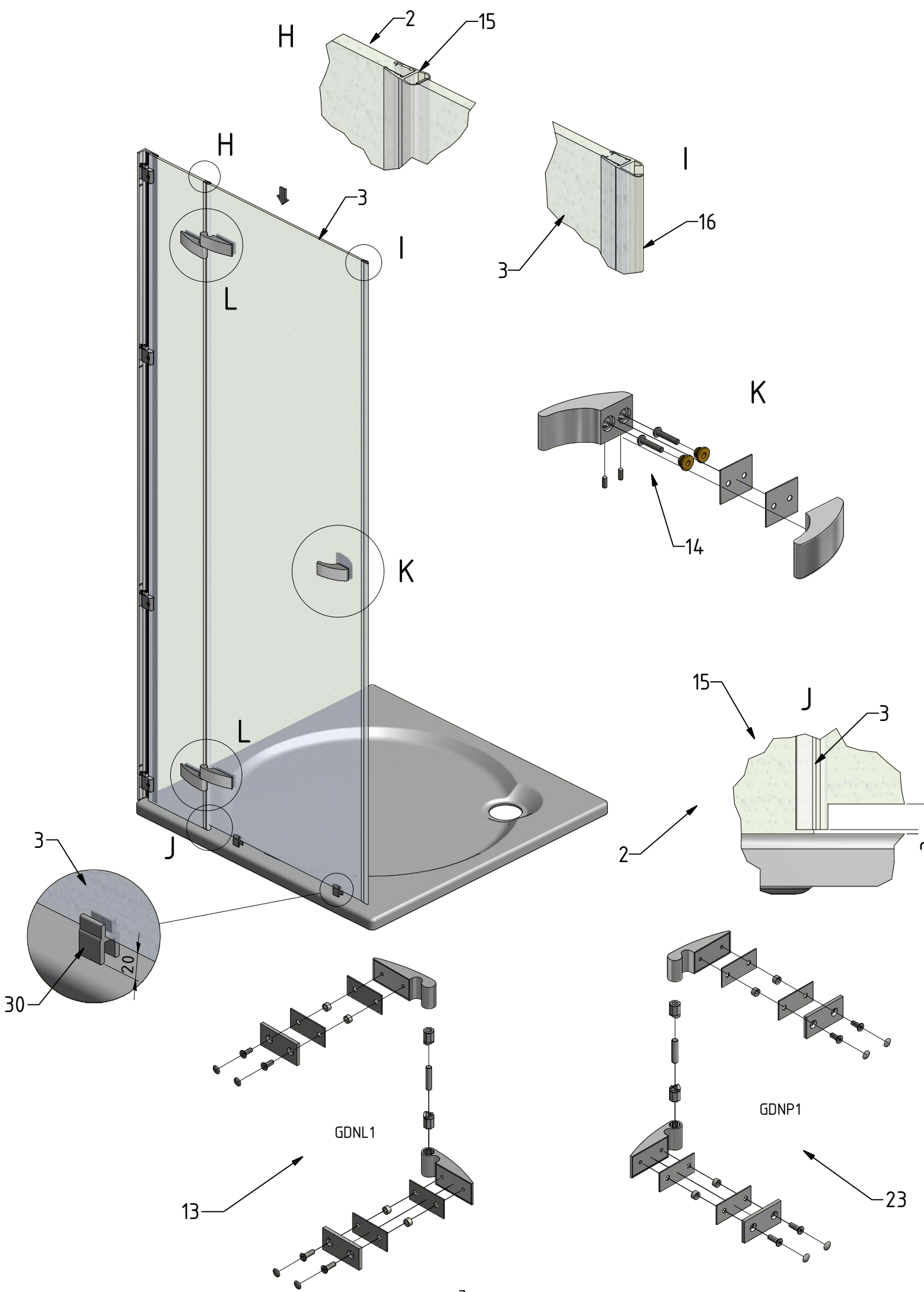


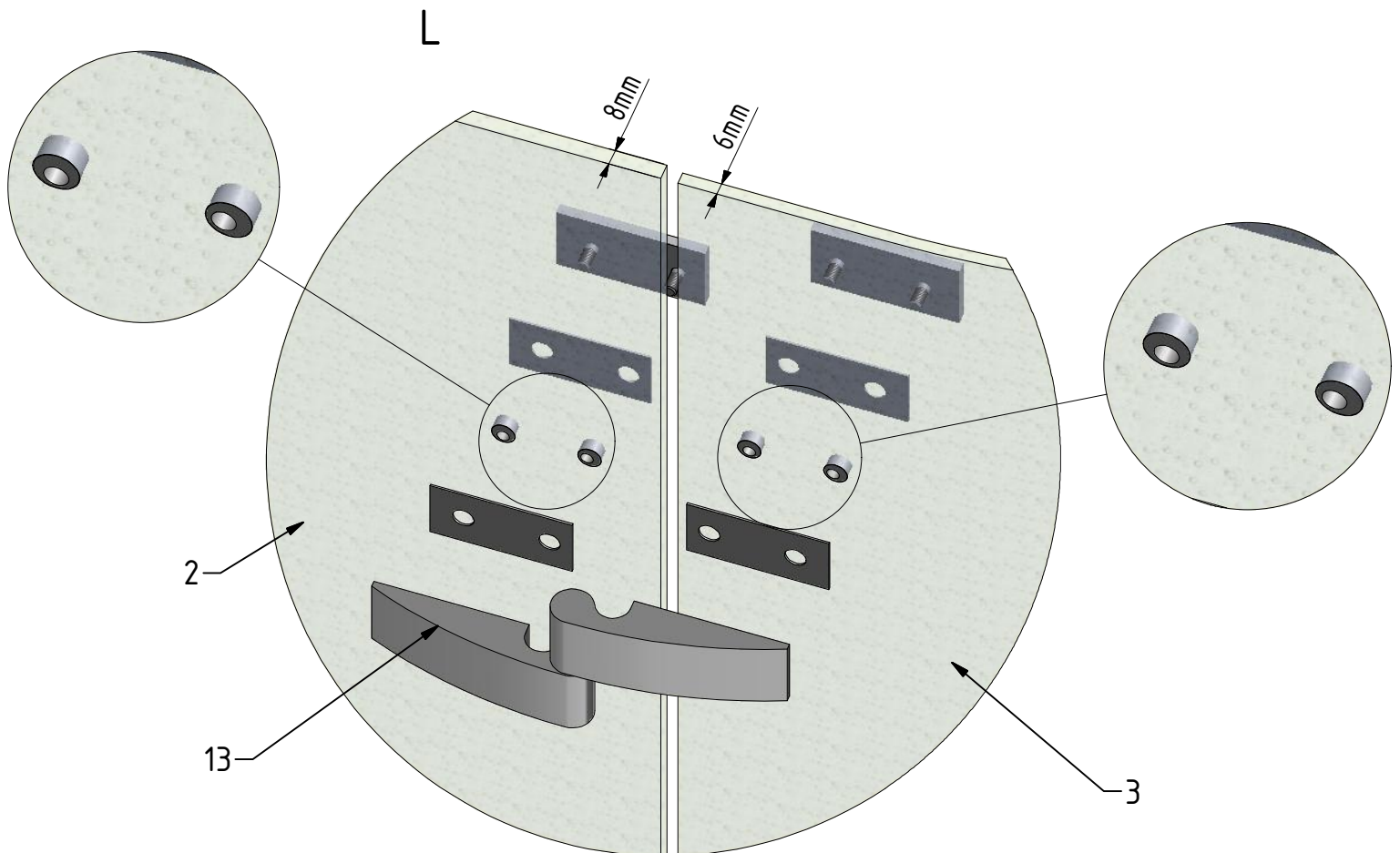
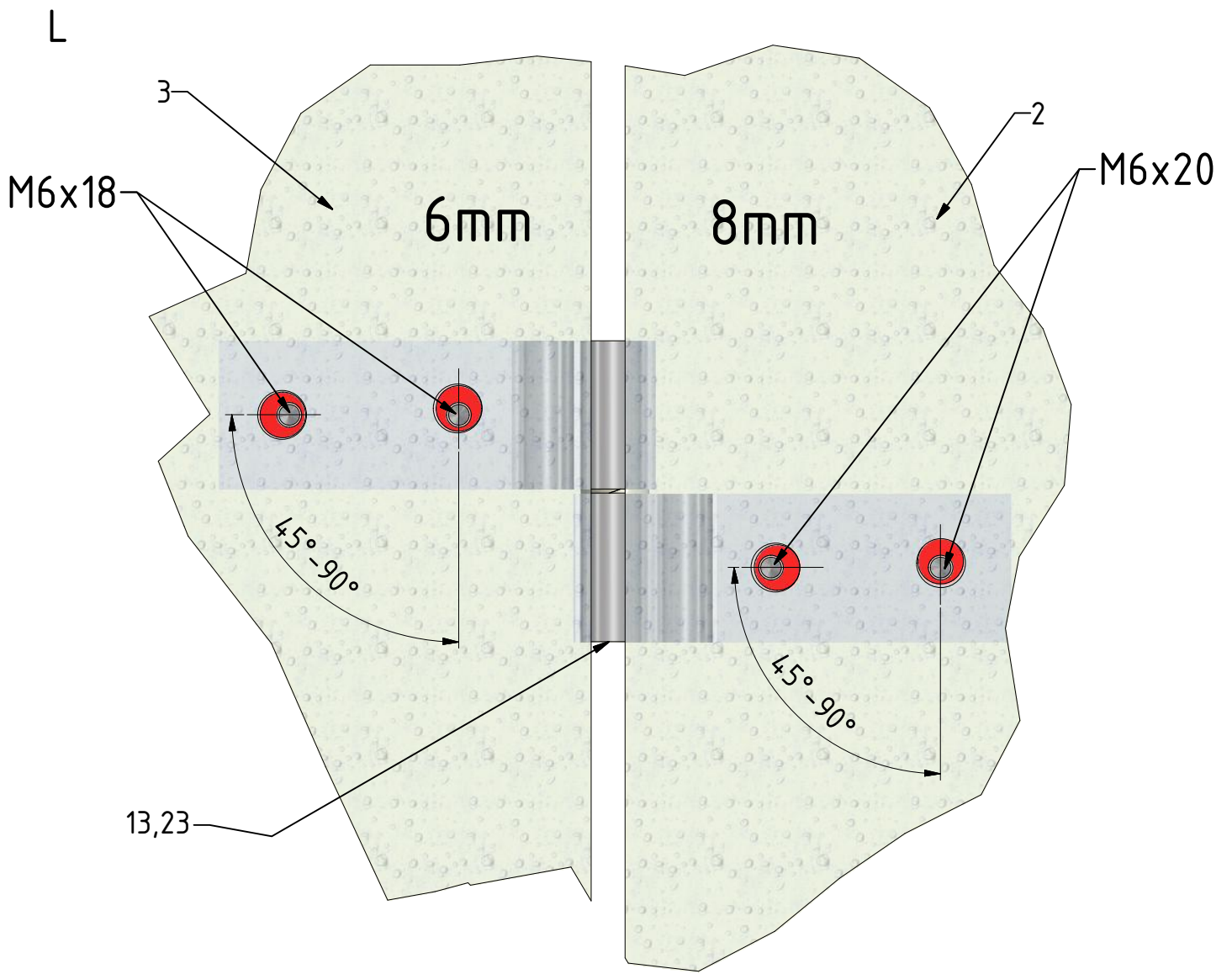


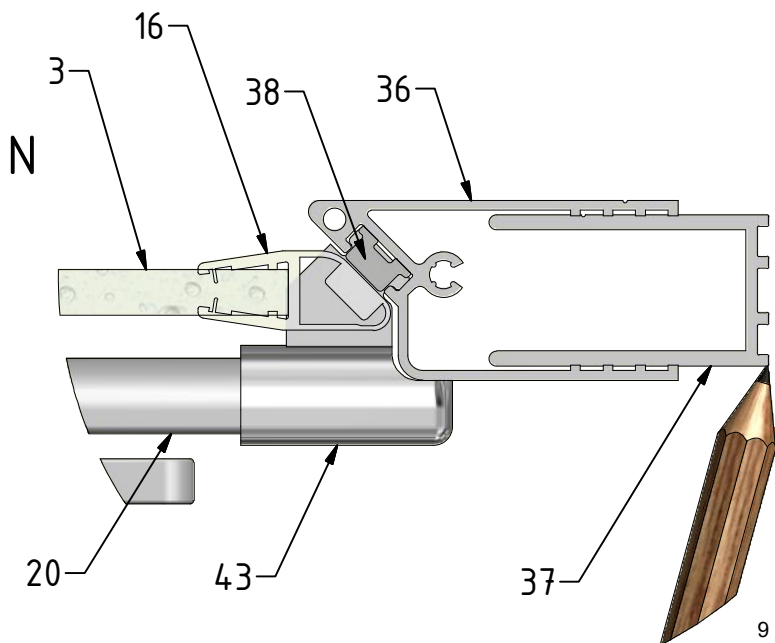
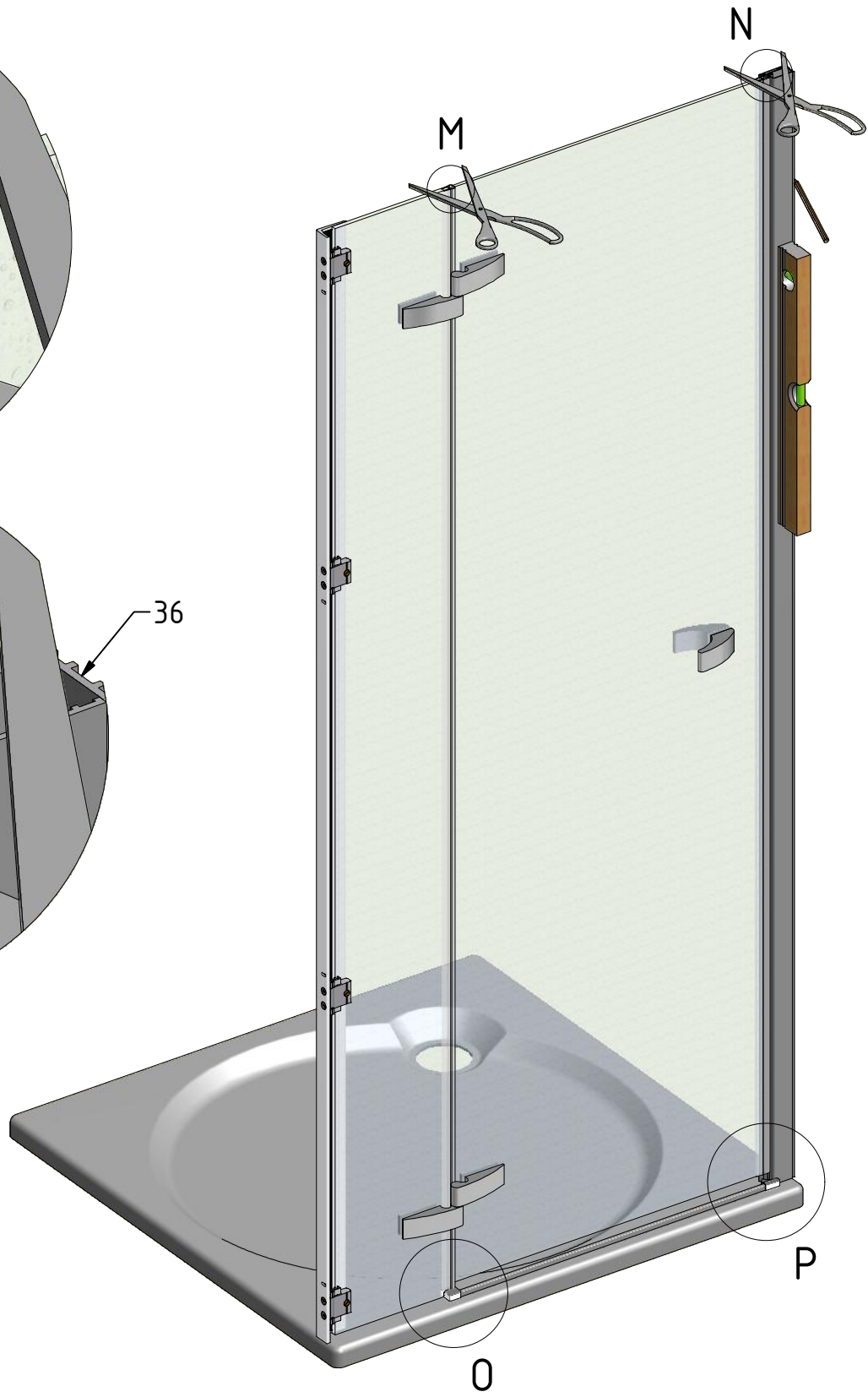
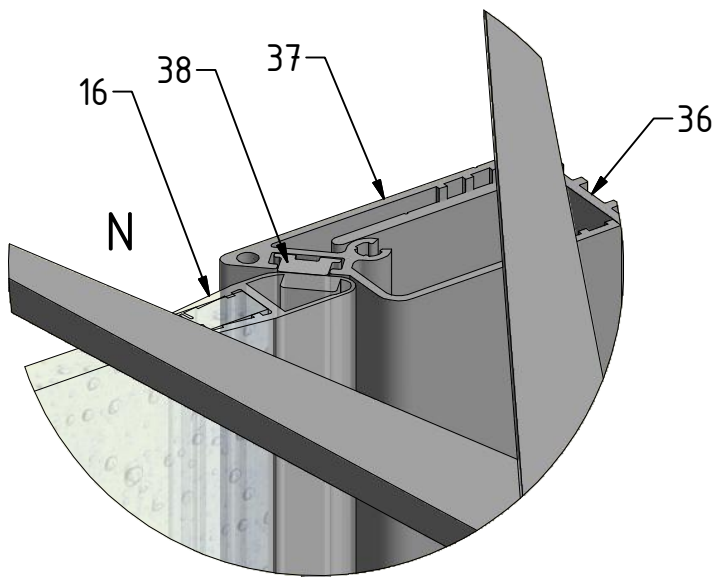
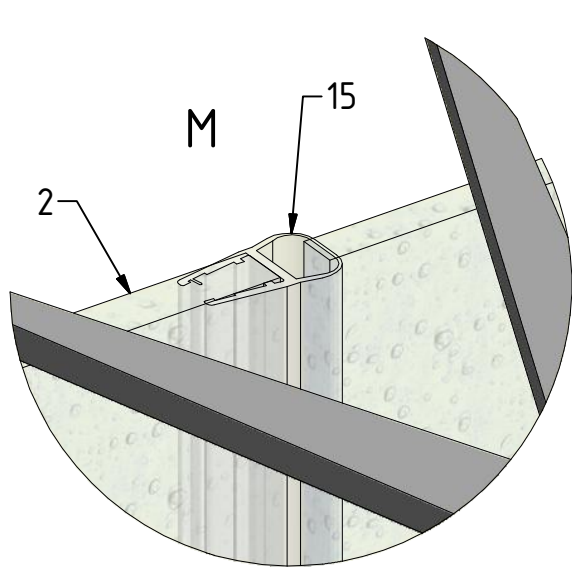
M6x18 is only for 6mm GLASS!!!

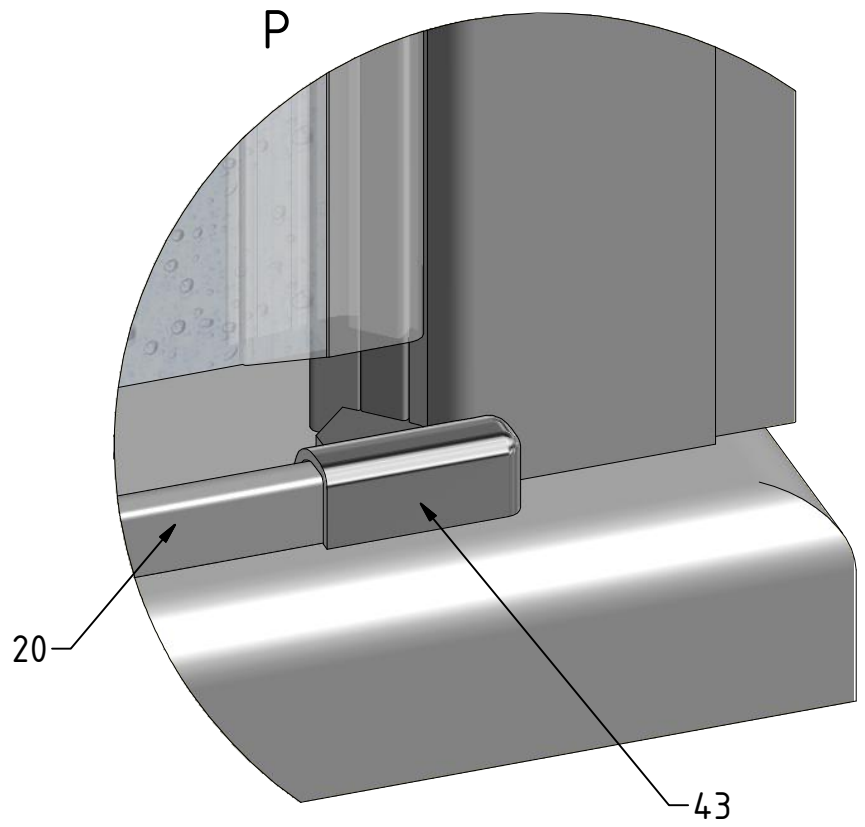
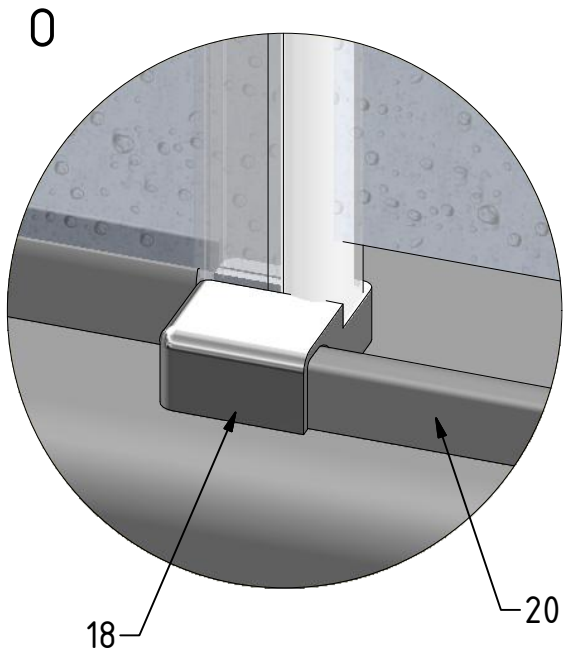


M6x20 is only for 8mm GLASS!!!

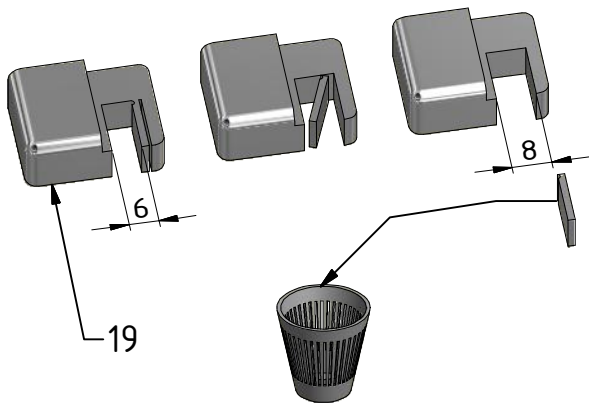




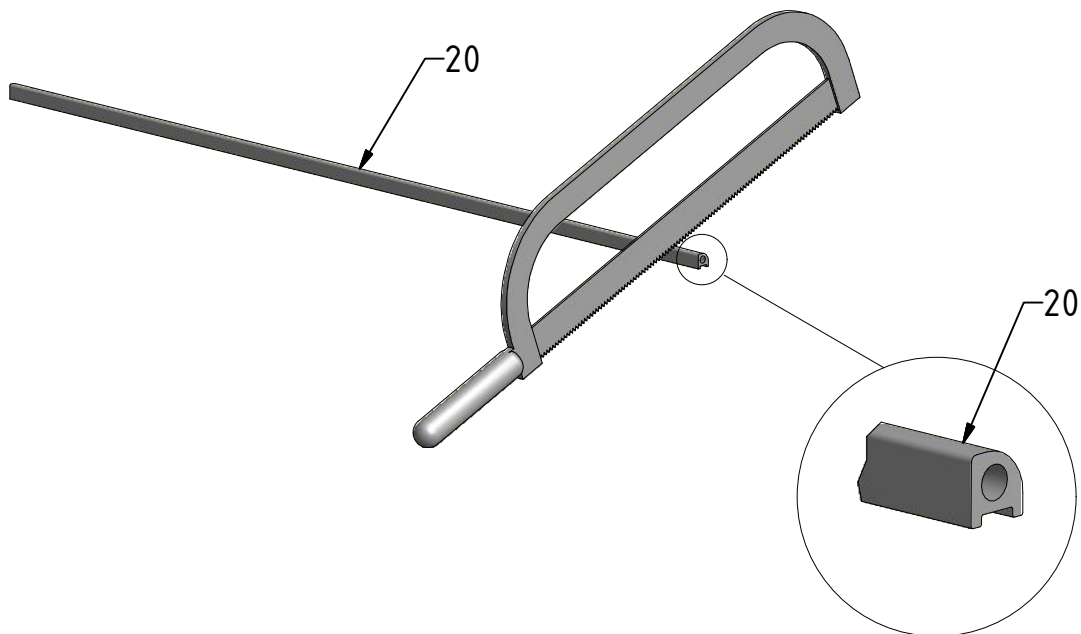
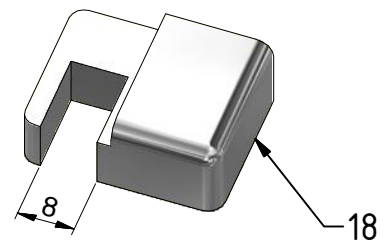


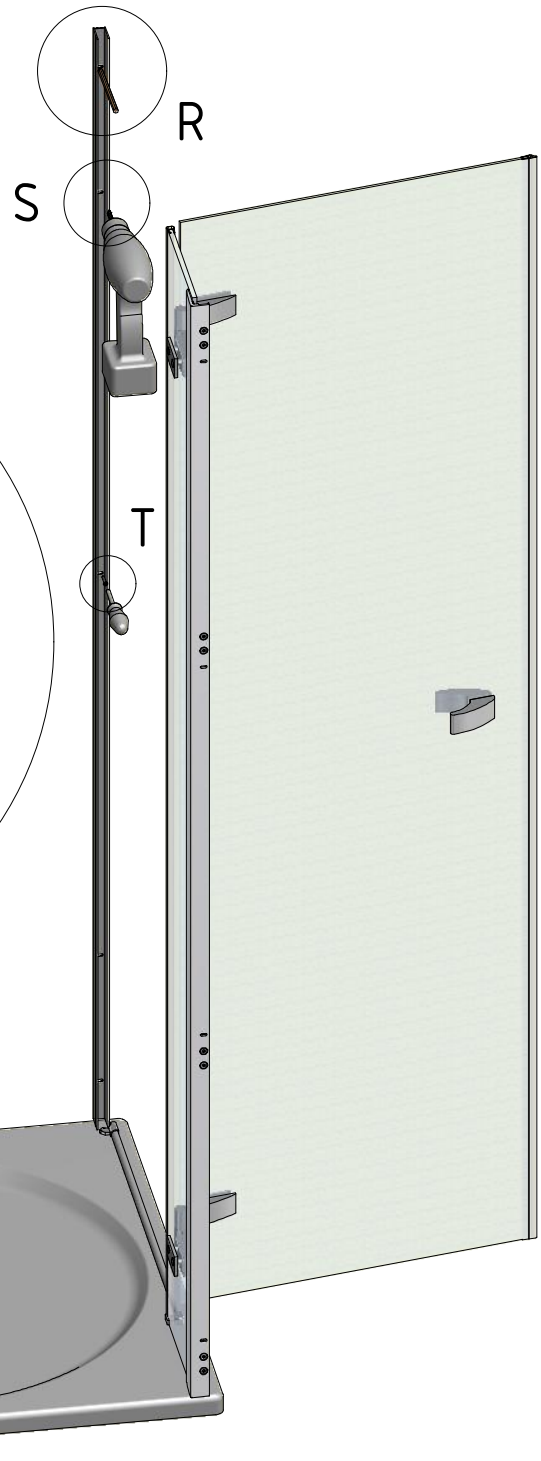
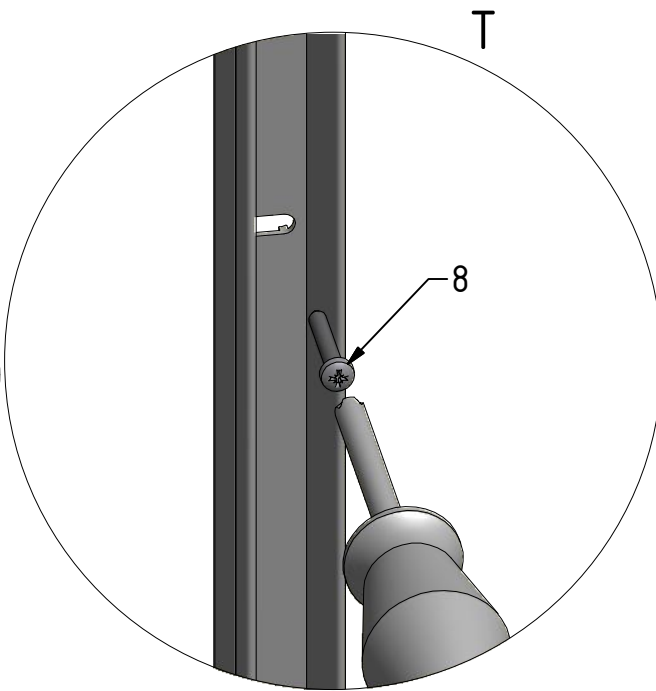
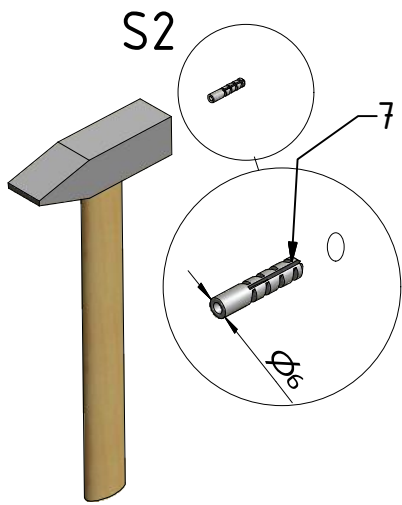
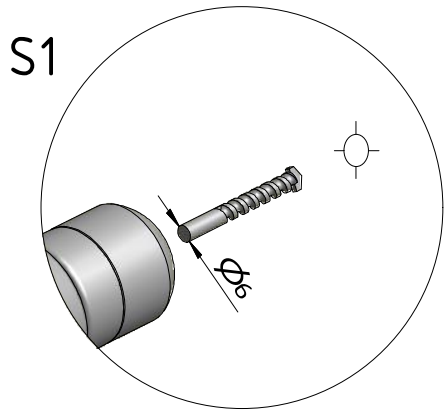
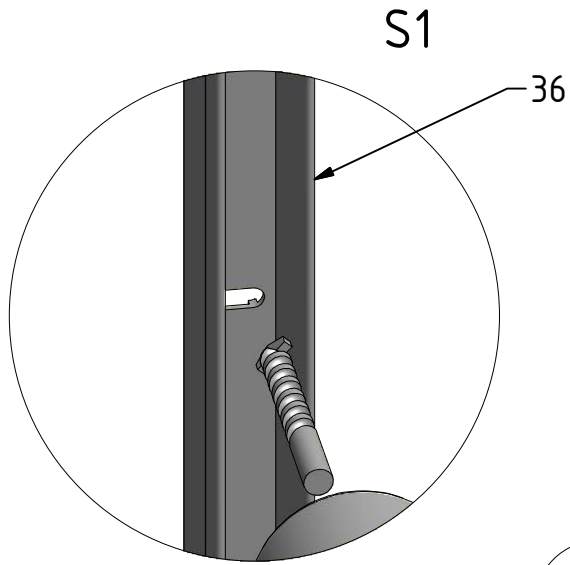
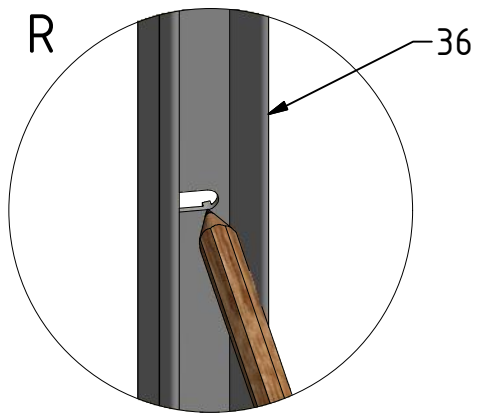


O GDNP1

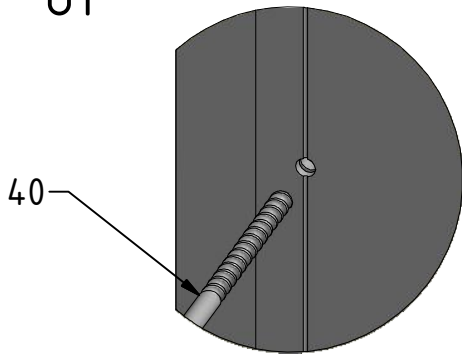


O GDNL1

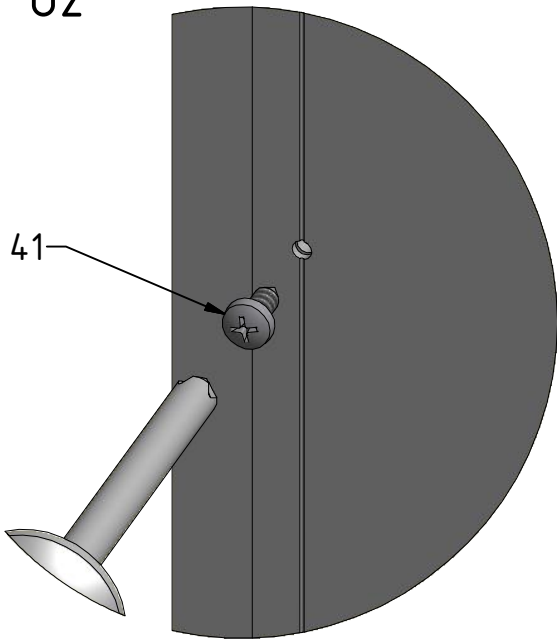




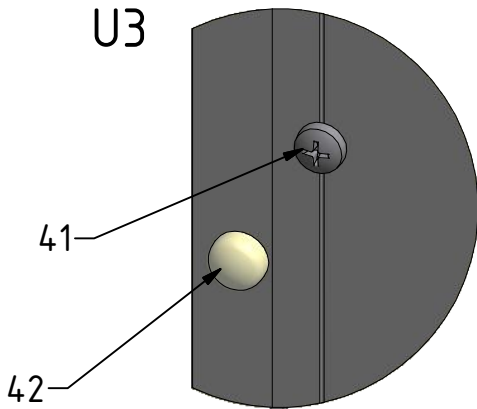
U1



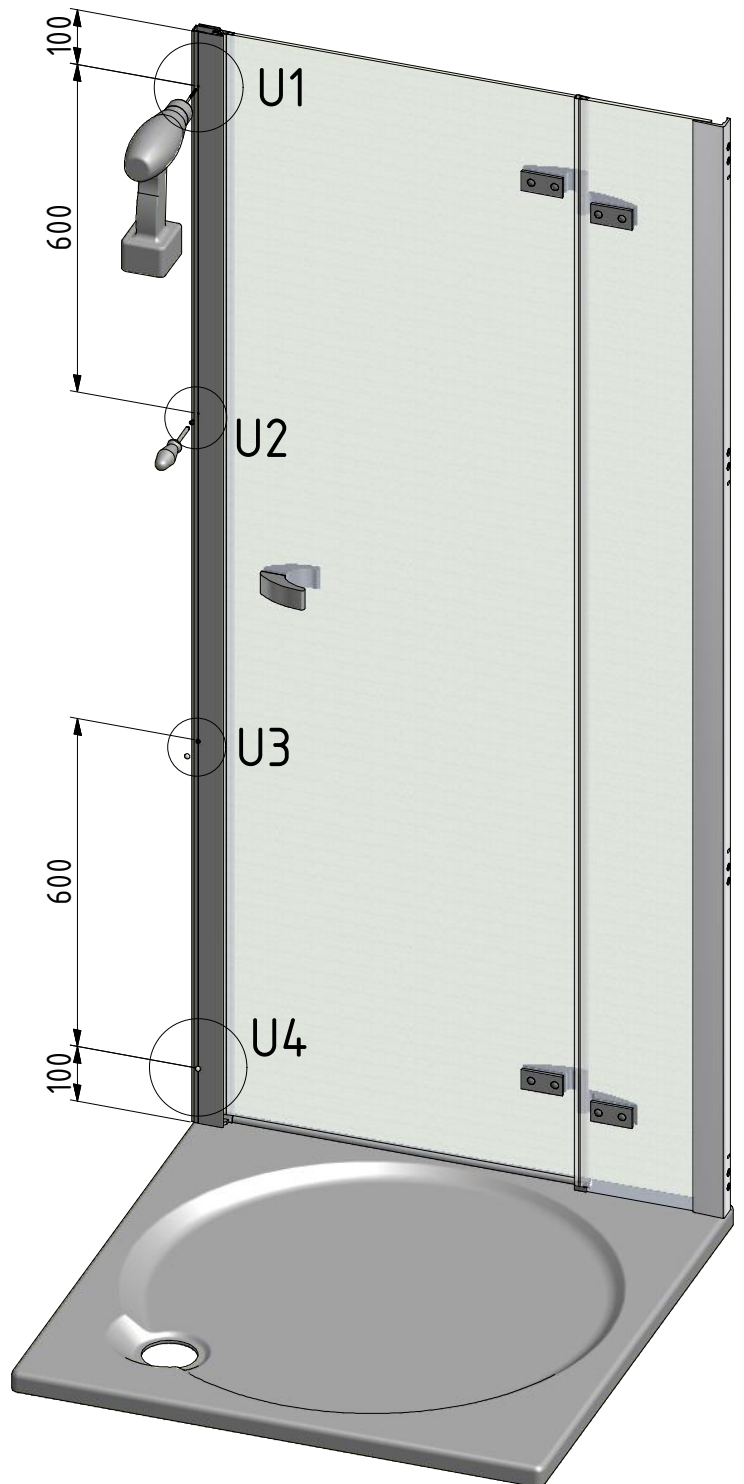
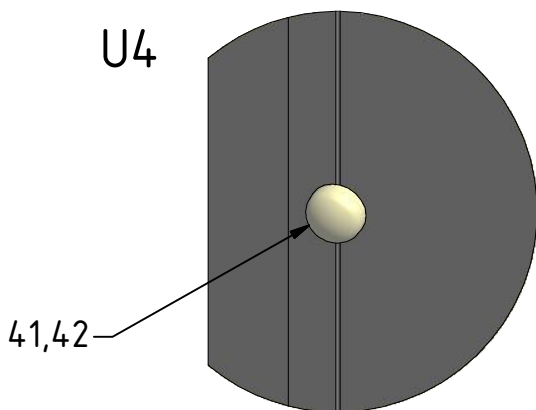
U2



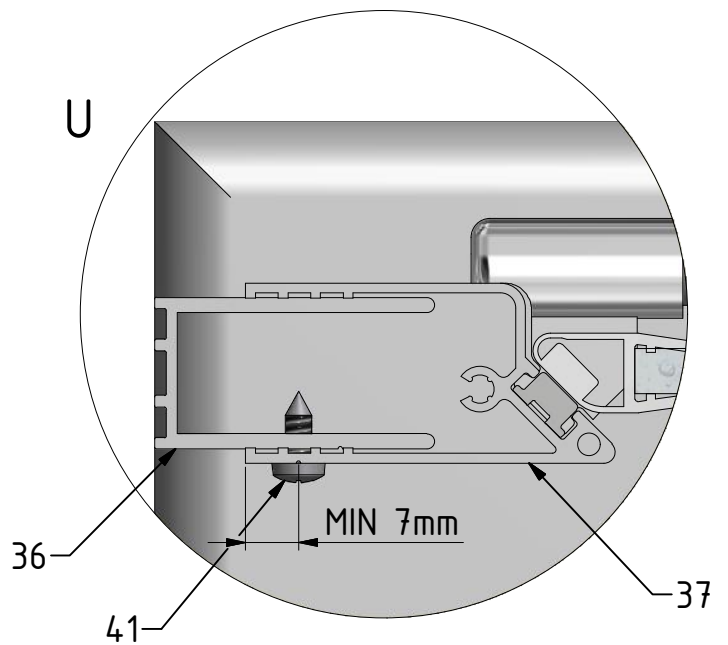
U3

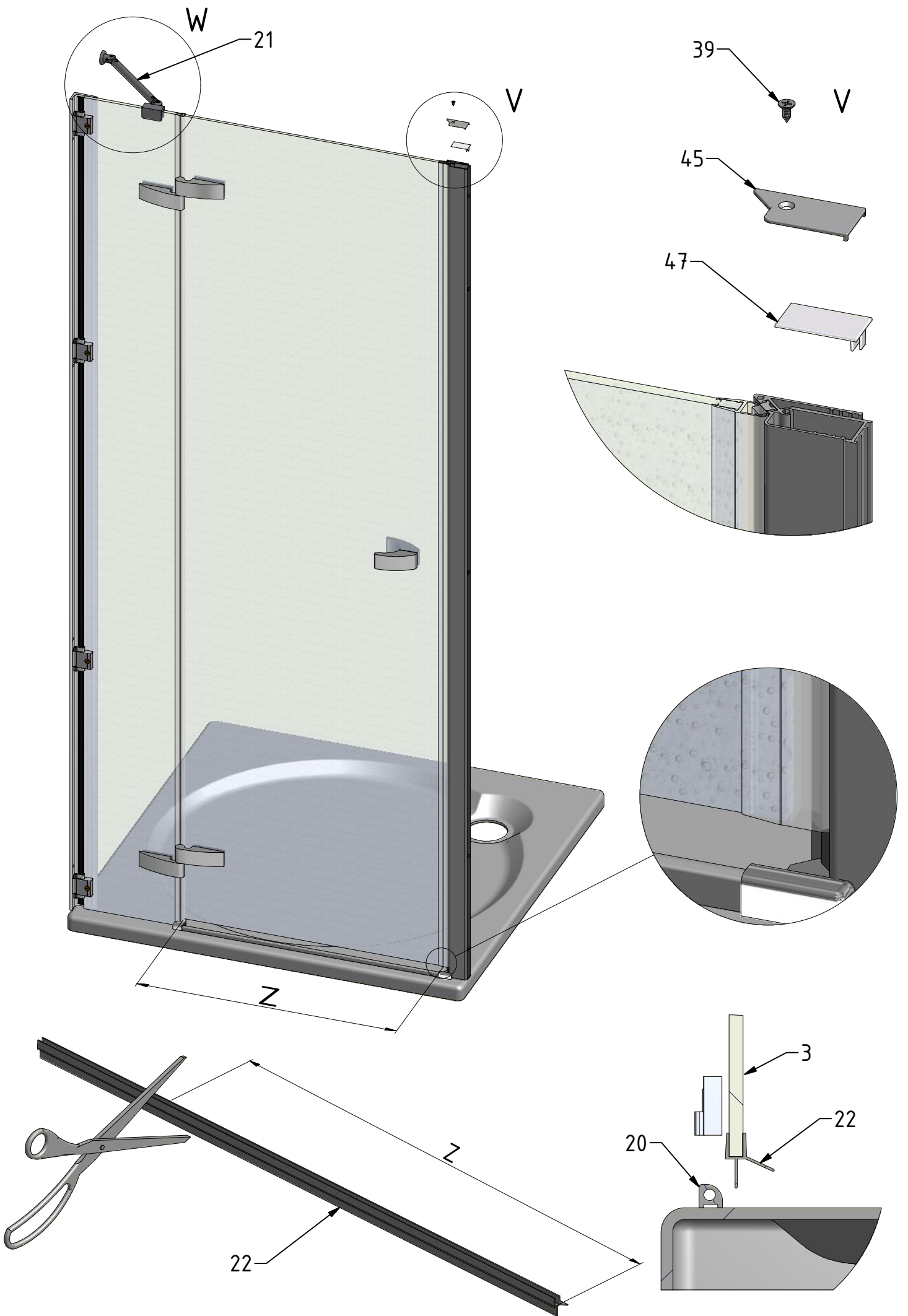


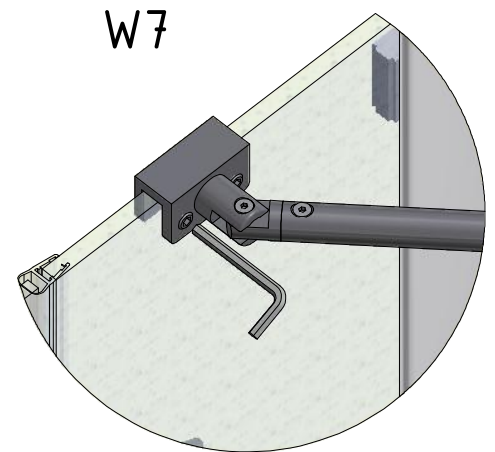
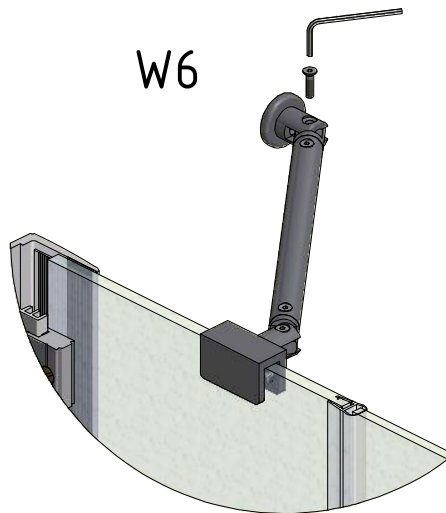
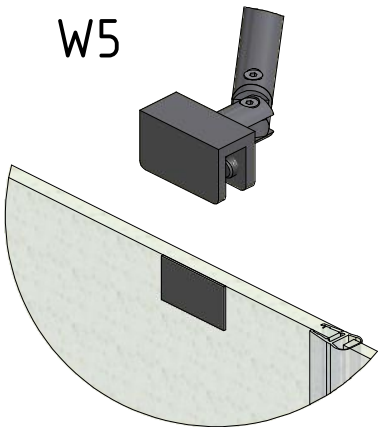
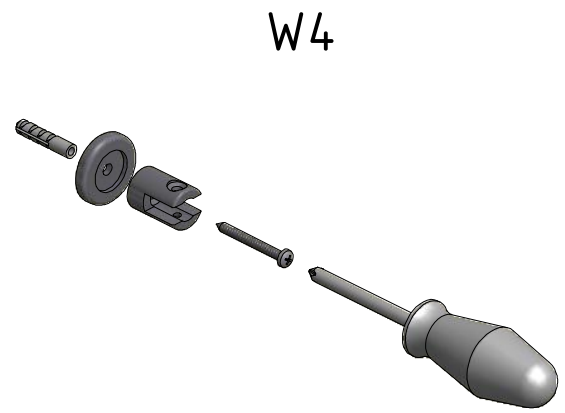
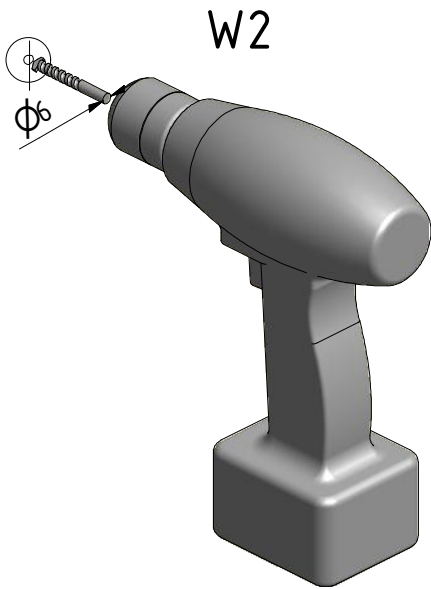
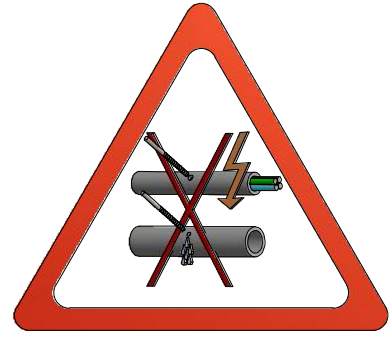
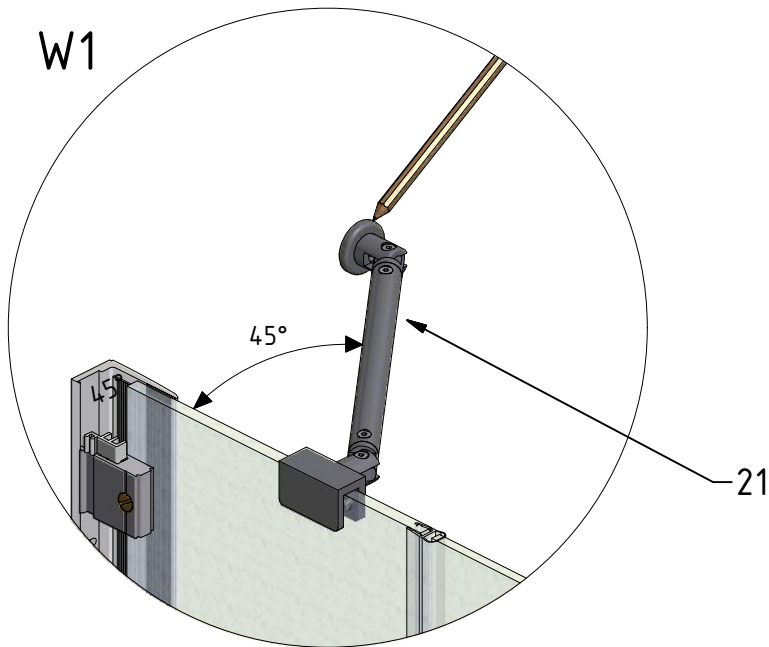
U4

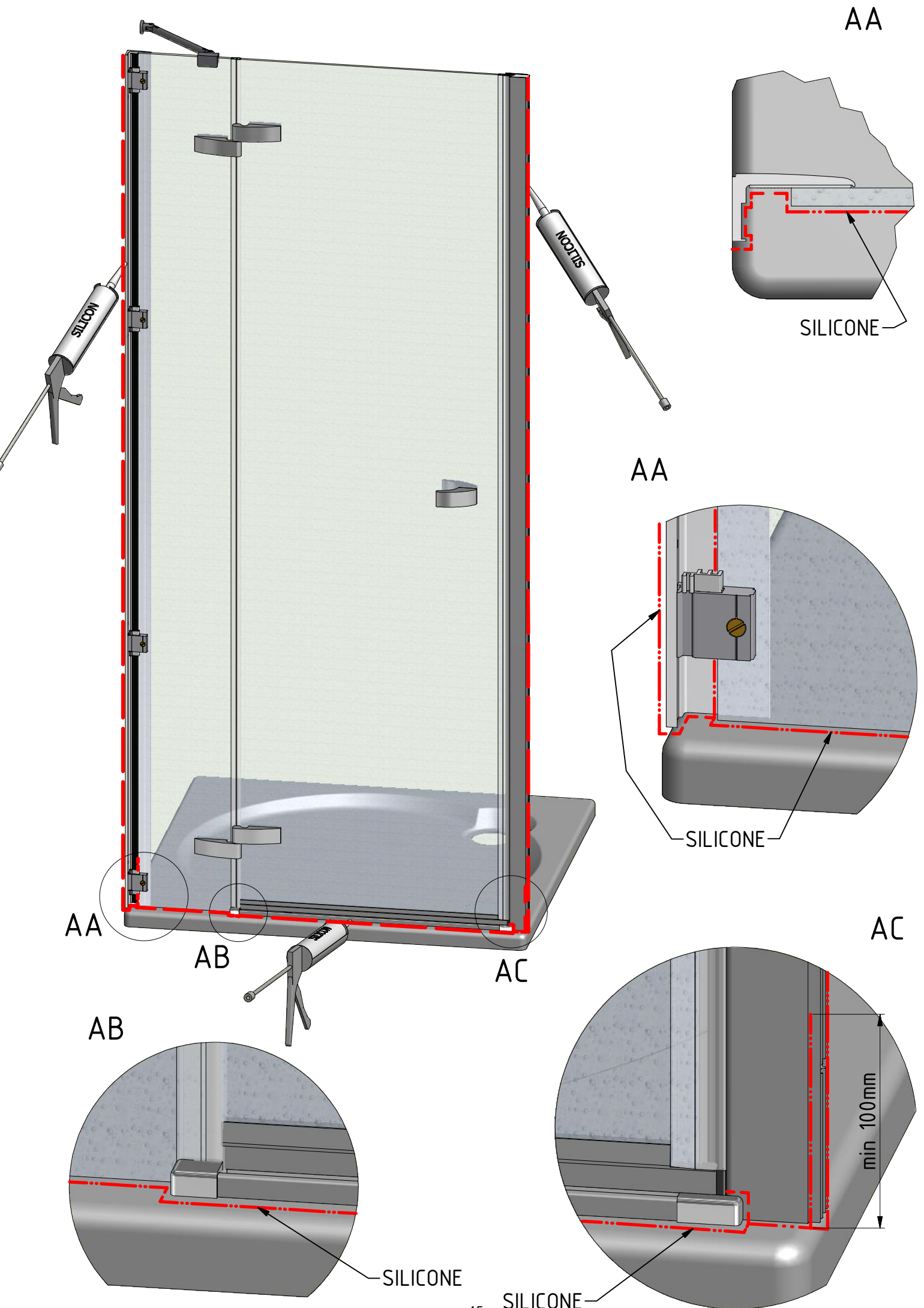


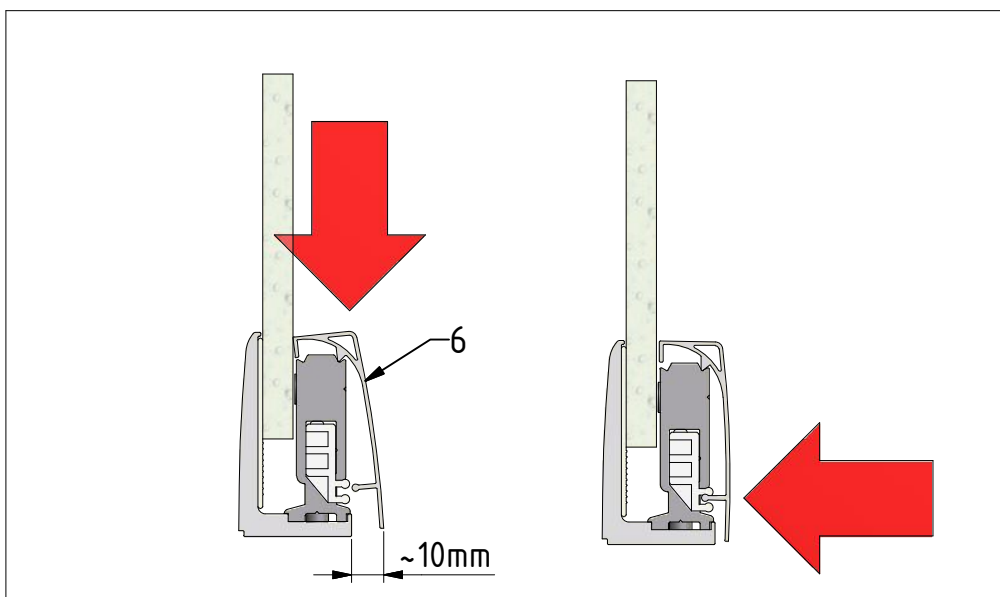
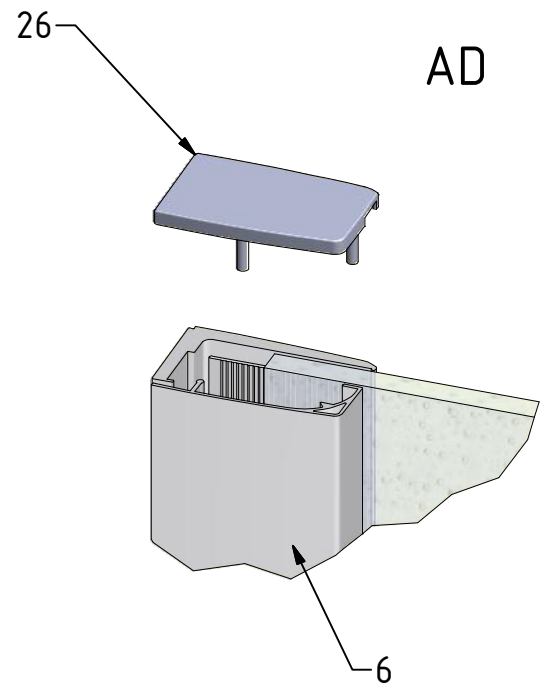
U



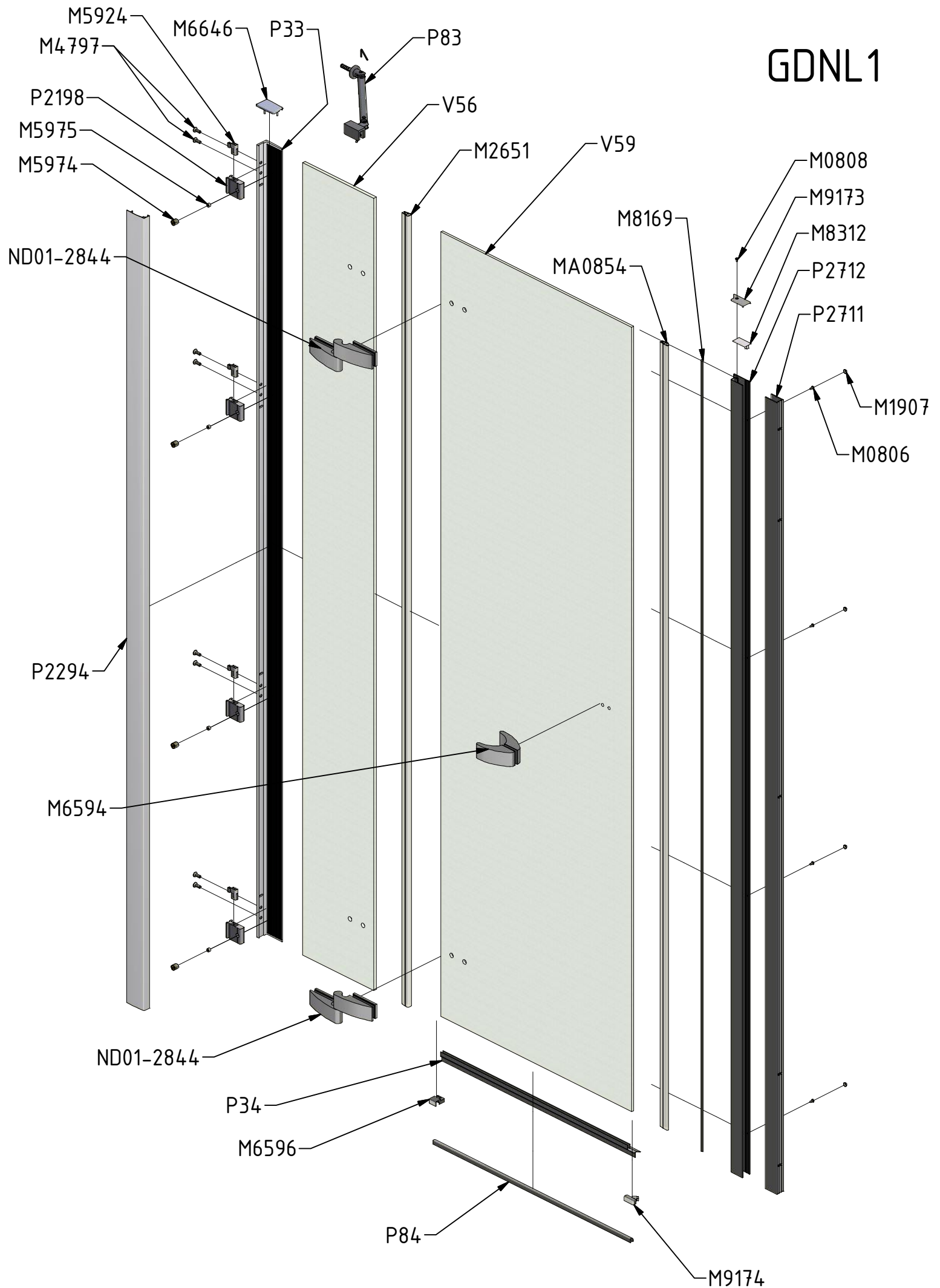




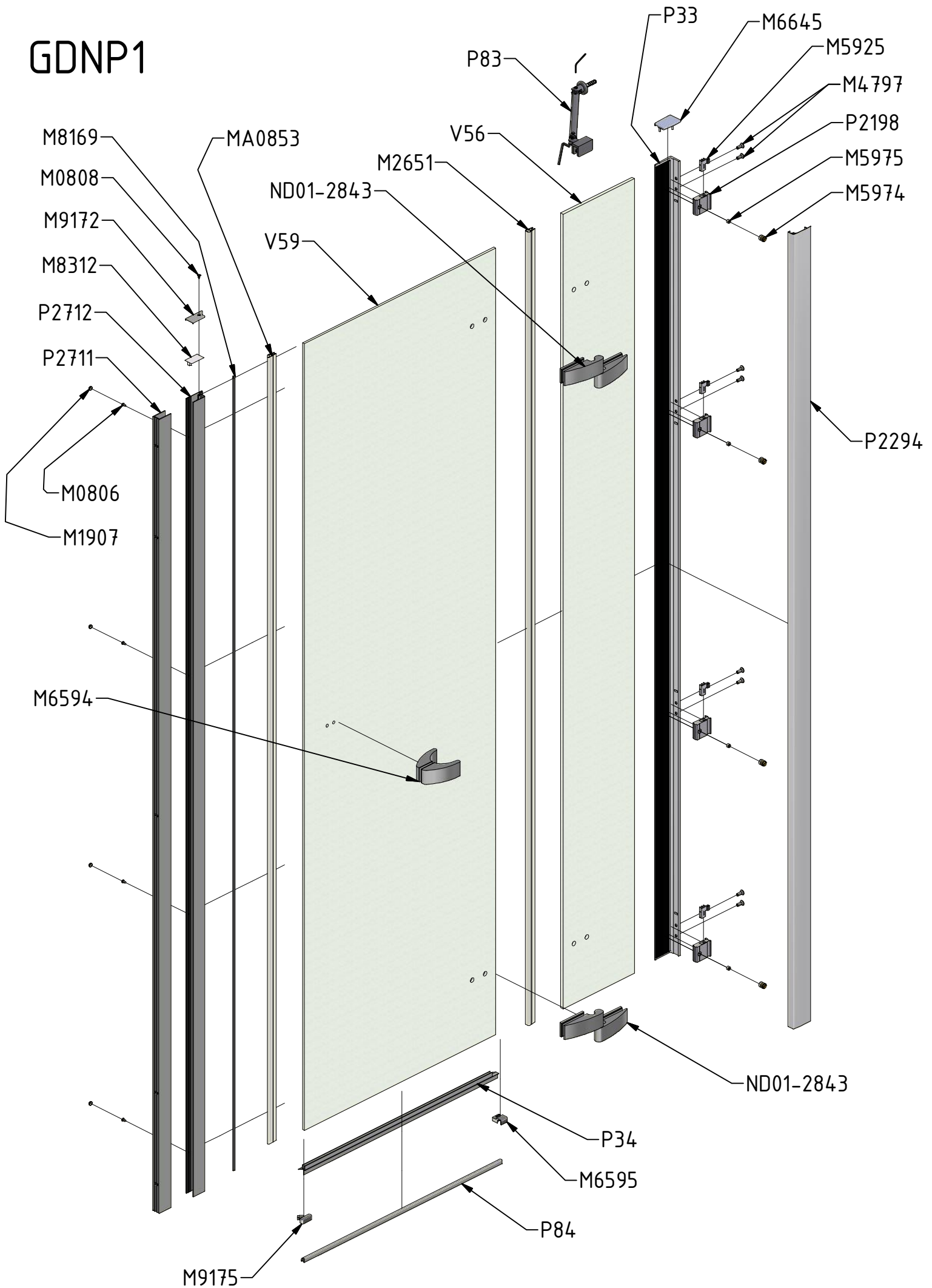




GDNL1



GDNP1



P33			ND01-0973-00
P34			ND01-2420
P83	800;900;1000;1100		M8018
	1200;1300;1400;1500		M8019
P84	800		ND01-2427-8
	900		ND01-2427-9
	1000		ND01-2427-9
	1100		ND01-2427-11
	1200		ND01-2427-11
	1300		ND01-2427-13
	1400		ND01-2427-13
	1500		ND01-2427-15

V56	800	clear glass	ND03-0278-00-02
	900		ND03-0278-00-02
	1000		ND03-0279-00-02
	1100		ND03-0279-00-02
	1200		ND03-0346-00-02
	1300		ND03-0346-00-02
	1400		ND03-0404-00-02
	1500		ND03-0404-00-02
V59	800	clear glass	ND02-0552-00-02
	900		ND02-0336-00-02
	1000		ND02-0336-00-02
	1100		ND02-0553-00-02
	1200		ND02-0553-00-02
	1300		ND02-0554-00-02
	1400		ND02-0554-00-02
	1500		ND02-0555-00-02

