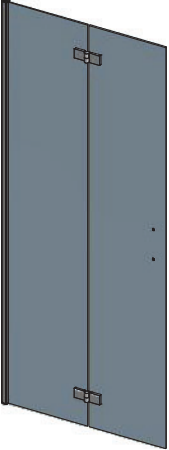
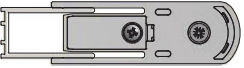

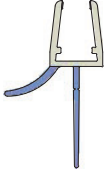


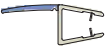

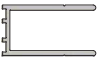

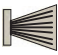





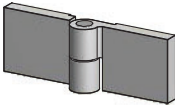
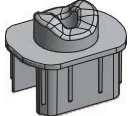
CI 2CL

POS.	PREVIEW	PCS	SPARE PART
1.		1	
2.		1	P6294
3.		1	P6139
4.		2	P6120
5.		1	P6133
6.		1	MA9198
7.	ACCESSORIES	1	P6433
8.		1	P6142


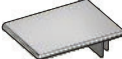












2. P6294

POS.	PREVIEW	PCS	SPARE PART
2.1		2	MA9742
2.2		1	P5941
2.3		1	P5876
2.4		1	ND01-3398
2.5		2	M3372

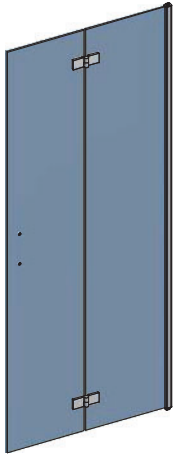
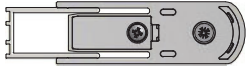
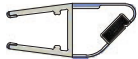
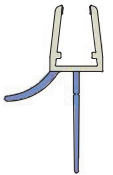


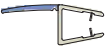
1. DOOR SET

POS.	PREVIEW	PCS	SPARE PART
1.1		1	V315
1.2		1	V314
1.3		2	MB0497
1.4		2	MA9747


7. P6433

POS.	PREVIEW
7.1	
7.2	
7.3	3x 
7.4	3x 
7.5	
7.6	3x 
7.7	3x 
7.8	3x 
7.9	
7.10	
7.11	
7.12	
7.13	2x 
7.14	2x 



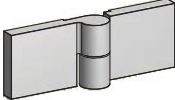
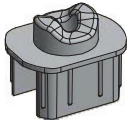
CI 2CR

POS.	PREVIEW	PCS	SPARE PART
1.		1	
2.		1	P6294
3.		1	P6139
4.		2	P6120
5.		1	P6133
6.		1	MA9198
7.	ACCESSORIES	1	P6433
8.		1	P6142









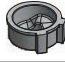




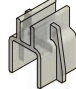
2. P6294

POS.	PREVIEW	PCS	SPARE PART
2.1		2	MA9742
2.2		1	P5941
2.3		1	P5876
2.4		1	ND01-3398
2.5		2	M3372

1. DOOR SET

POS.	PREVIEW	PCS	SPARE PART
1.1		1	V315
1.2		1	V314
1.3		2	MB0498
1.4		2	MA9747

7. P6433

POS.	PREVIEW
7.1	
7.2	
7.3	3x 
7.4	3x 
7.5	
7.6	3x 
7.7	3x 
7.8	3x 
7.9	
7.10	
7.11	
7.12	
7.13	2x 
7.14	2x 

1.1 V315		
SIZE	GLASS + PROFILE	SPARE PART
800	clear glass	ND02-0969-02
900	clear glass	ND02-0970-02
1000	clear glass	ND02-0971-02

1.2 V314		
SIZE	GLASS + PROFILE	SPARE PART
800	clear glass+brillant	ND02-0966-00-02
900	clear glass+brillant	ND02-0967-00-02
1000	clear glass+brillant	ND02-0968-00-02

CI 2C

