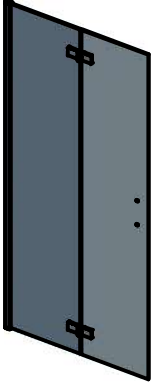


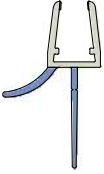










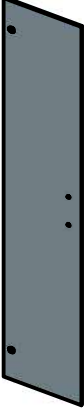

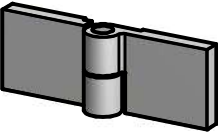
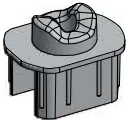
## CI RFL

POS.	PREVIEW	PCS	SPARE PART
1.		1	
2.		1	FIX
3.		1	P6285
4.		1	P6119
5.		1	P6133
6.		1	MA9198
7.	ACCESSORIES	1	P6431
8.		1	P318
9.		1	P6142

## 3. P6285

POS.	PREVIEW	PCS	SPARE PART
3.1		1	P5886
3.2		1	P5941
3.3		1	P6135
3.4		1	M8169

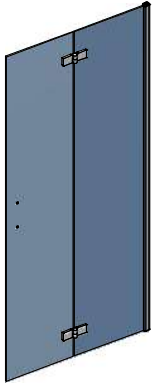
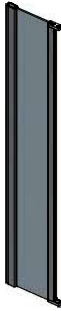

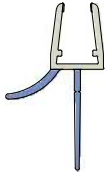


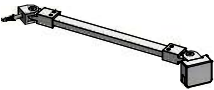

## 1. DOOR SET

POS.	PREVIEW	PCS	SPARE PART
1.1		1	V313
1.2		1	V312
1.3		2	MB0497
1.4		2	MA9747

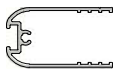
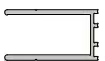


## 2. FIX

POS.	PREVIEW	PCS	SPARE PART
2.1		1	V311
2.2		2	MA9742
2.3		1	P5941
2.4		1	ND01-3398
2.5		2	M3372



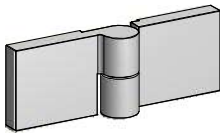
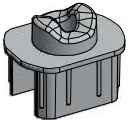
## CI RFR

POS.	PREVIEW	PCS	SPARE PART
1.		1	
2.		1	FIX
3.		1	P6285
4.		1	P6119
5.		1	P6133
6.		1	MA9198
7.	ACCESSORIES	1	P6431
8.		1	P318
9.		1	P6142

## 3. P6285

POS.	PREVIEW	PCS	SPARE PART
3.1		1	P5886
3.2		1	P5941
3.3		1	P6135
3.4		1	M8169


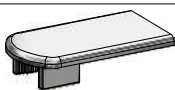







## 1. DOOR SET

POS.	PREVIEW	PCS	SPARE PART
1.1		1	V313
1.2		1	V312
1.3		2	MB0498
1.4		2	MA9747


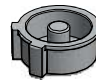




## 2. FIX

POS.	PREVIEW	PCS	SPARE PART
2.1		1	V311
2.2		2	MA9742
2.3		1	P5941
2.4		1	ND01-3398
2.5		2	M3372

## 7. P6431

POS.	PREVIEW
7.1	
7.2	
7.3	
7.4	6x 
7.5	6x 
7.6	
7.7	6x 
7.8	6x 
7.9	6x 

## 7. P6431

POS.	PREVIEW
7.11	
7.12	
7.13	2x 
7.14	
7.15	
7.16	2x 

## 1.1 V313

SIZE	GLASS	SPARE PART
RFL 1100	clear glass	ND02-0955-02
RFL 1200	clear glass	ND02-0956-02
RFL 1220	clear glass	ND02-0965-02
RFL 1400	clear glass	ND02-0956-02
RFL 1600	clear glass	ND02-0957-02
RFR 1100	clear glass	ND02-0955-02
RFR 1200	clear glass	ND02-0956-02
RFR 1220	clear glass	ND02-0965-02
RFR 1400	clear glass	ND02-0956-02
RFR 1600	clear glass	ND02-0957-02

## 1.2 V312

SIZE	GLASS + PROFILE	SPARE PART
RFL 1100	clear glass+brillant	ND02-0950-00-02
RFL 1200	clear glass+brillant	ND02-0951-00-02
RFL 1220	clear glass+brillant	ND02-0964-00-02
RFL 1400	clear glass+brillant	ND02-0951-00-02
RFL 1600	clear glass+brillant	ND02-0952-00-02
RFR 1100	clear glass+brillant	ND02-0950-00-02
RFR 1200	clear glass+brillant	ND02-0951-00-02
RFR 1220	clear glass+brillant	ND02-0964-00-02
RFR 1400	clear glass+brillant	ND02-0951-00-02
RFR 1600	clear glass+brillant	ND02-0952-00-02

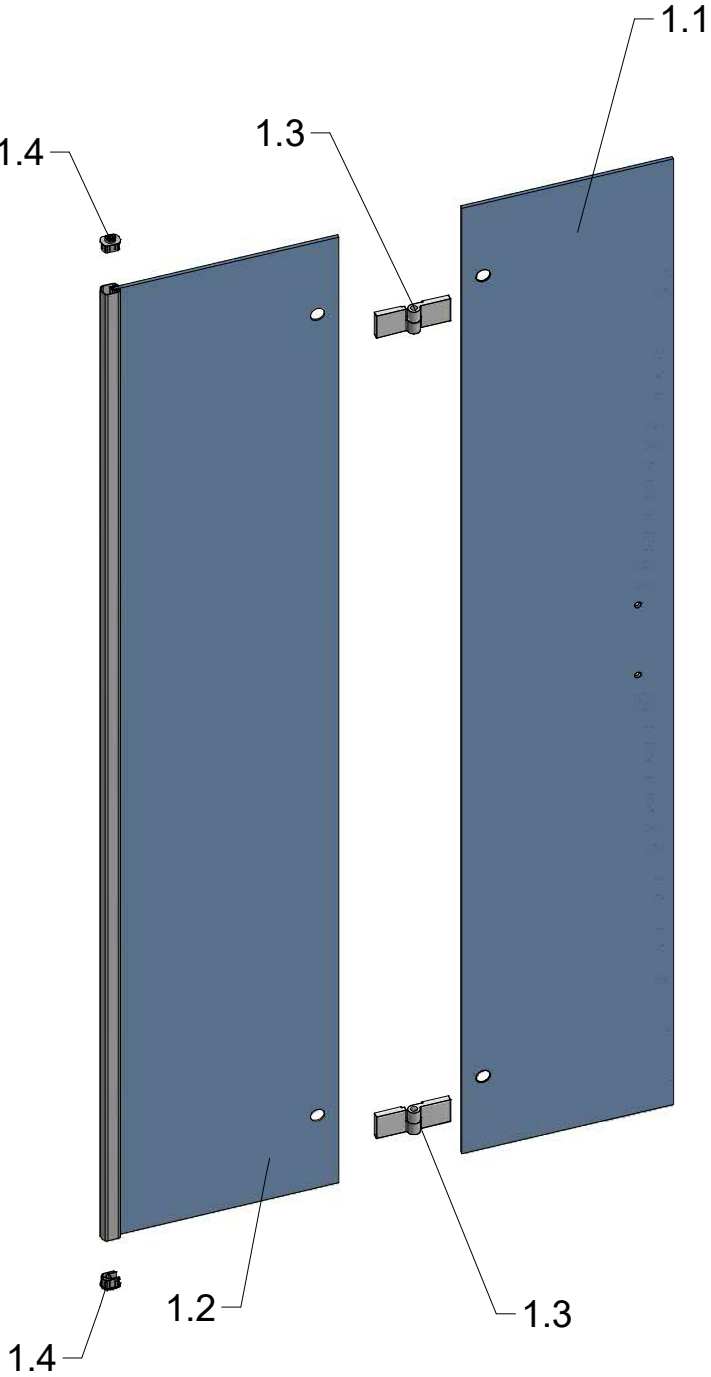
## 2.1 V311

SIZE	PROFILE + GLASS + PROFILE	SPARE PART
1100	clear glass+brillant	ND03-0965-00-02
1200	clear glass+brillant	ND03-0965-00-02
1220	clear glass+brillant	ND03-0965-00-02
1400	clear glass+brillant	ND03-0969-00-02
1600	clear glass+brillant	ND03-0969-00-02

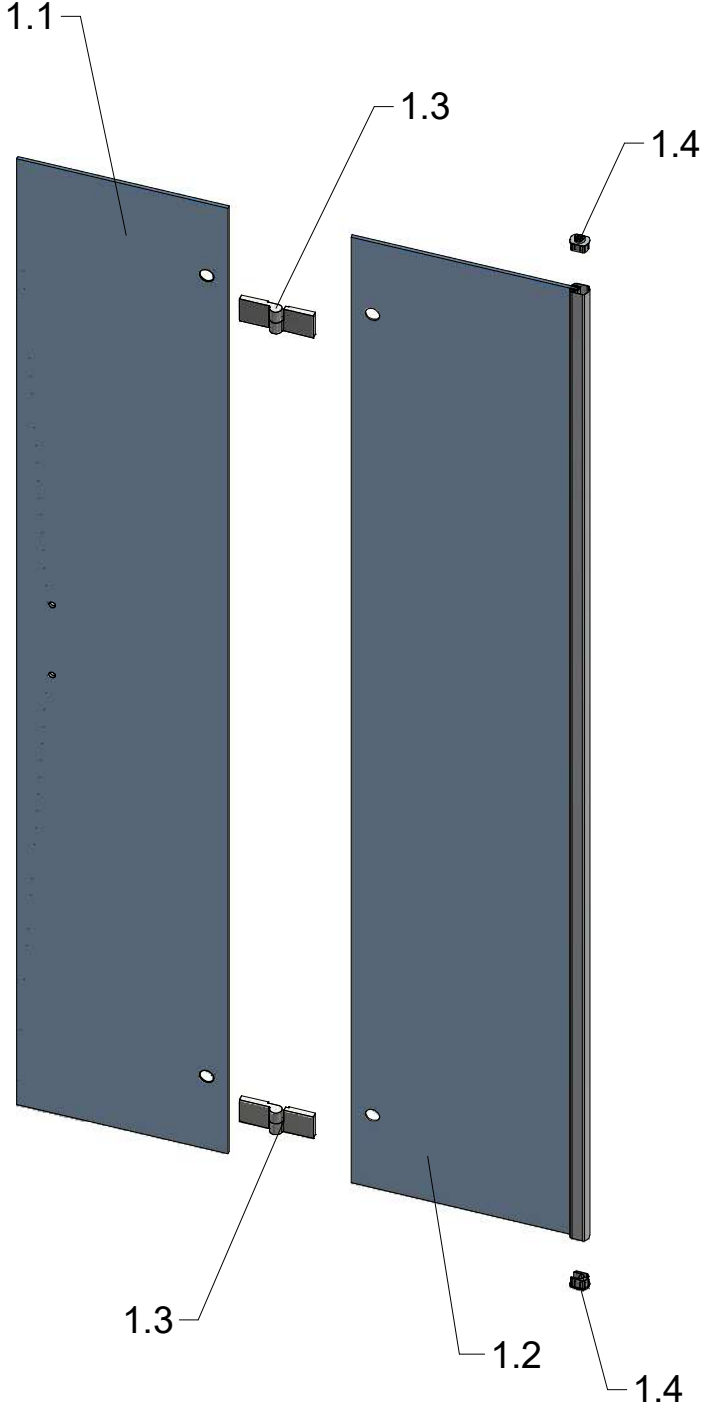
## 8. P318

SIZE	PROFILE	SPARE PART
1100;1200;1220	brillant	MB0229
1400;1600	brillant	MB0230

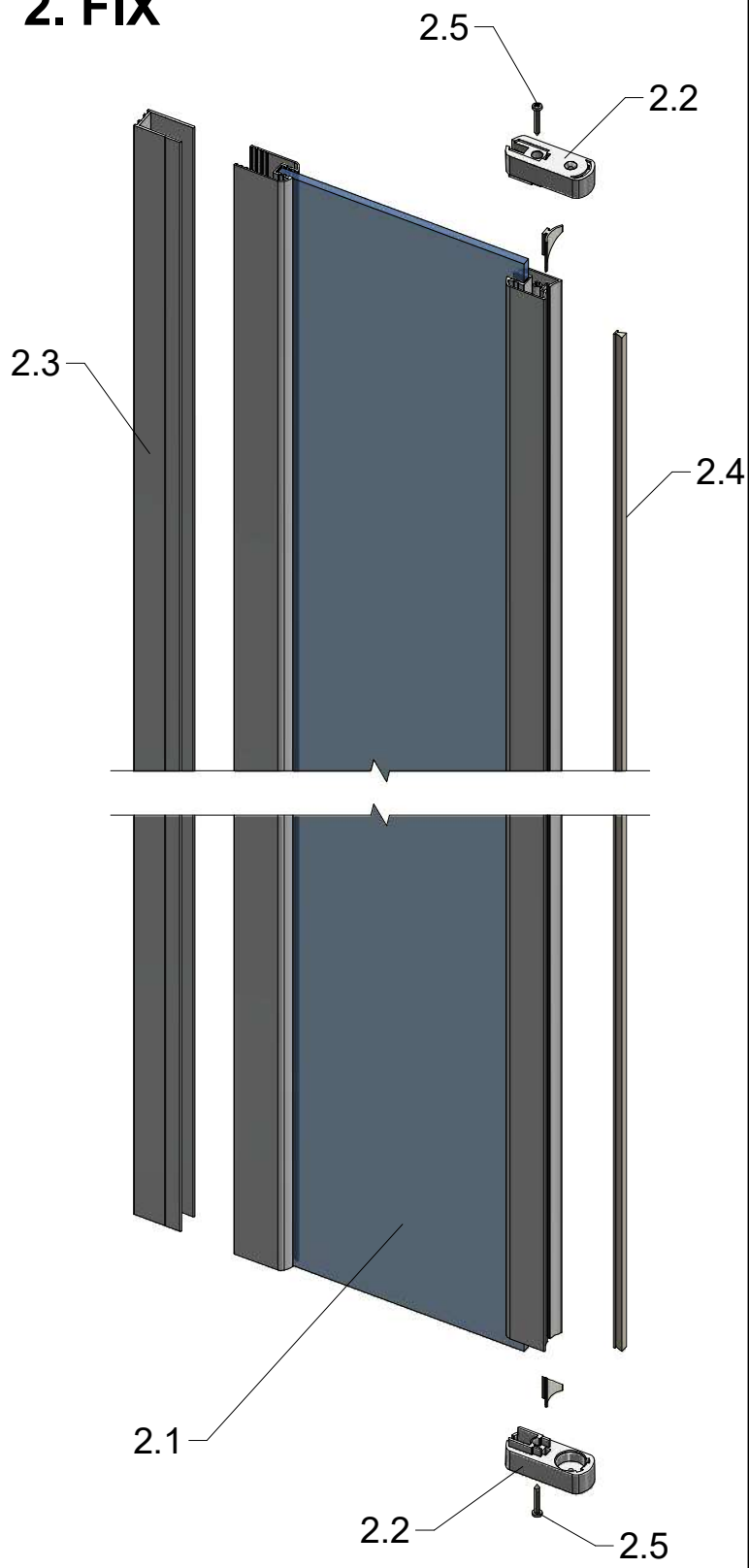
# 1. CI RFL



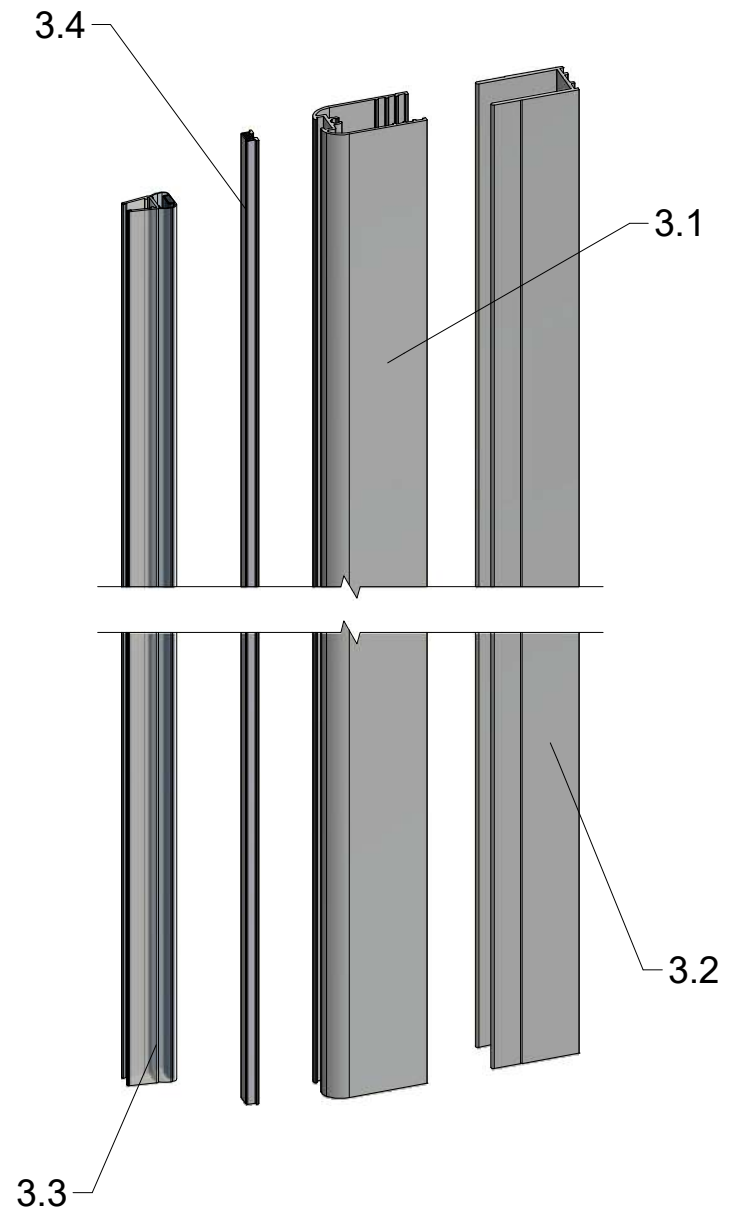
# 1. CI RFR



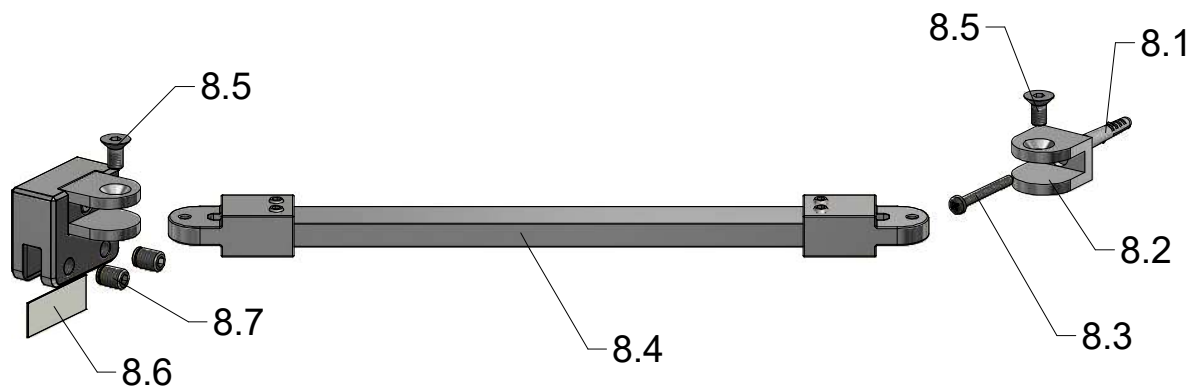
## 2. FIX



## 3. P6285



## 8. P318



# CI RFL/CI RFR

